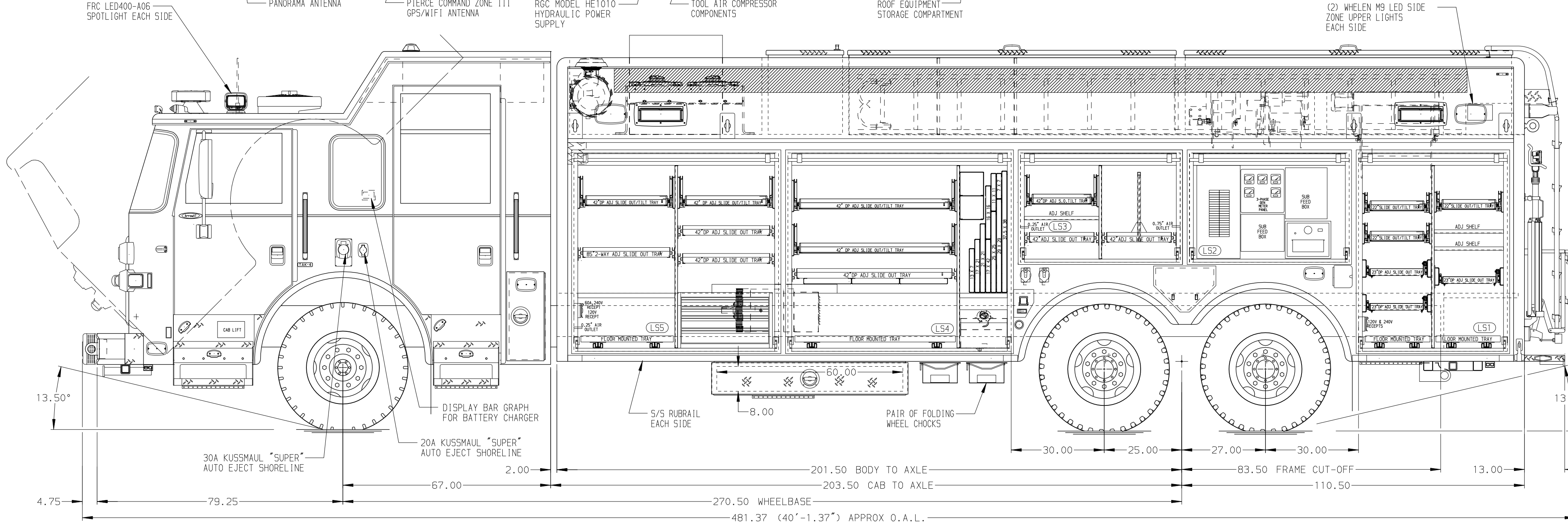
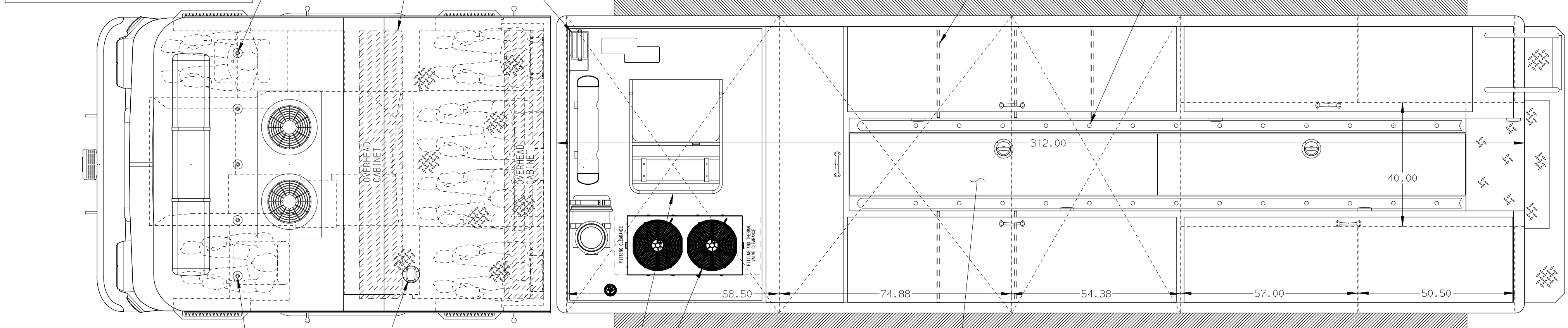
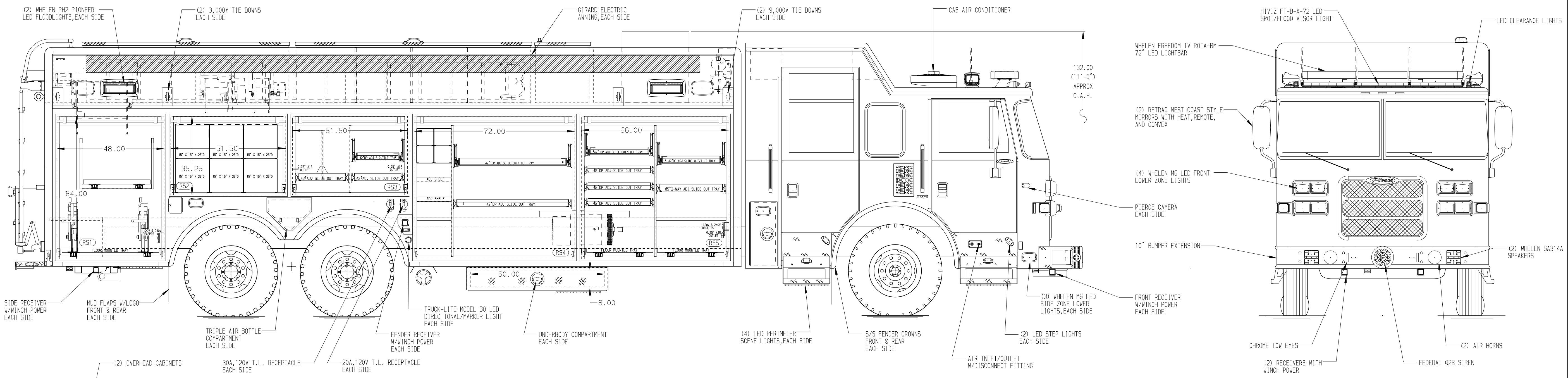


**RIGHT SIDE COMPARTMENTS CONTAIN THE FOLLOWING:**

- COMPARTMENT RS1 CONTAINS:
  - (1) LOW PRESSURE AIR REEL W/150' OF 1" HOSE
  - (1) 30A, 120V T.L. RECEPTACLE
  - (1) 30A, 240V T.L. RECEPTACLE
  - (1) SPECIAL SHELF
  - (1) MOUNTING BRACKET FOR HYDRAULIC CUTTER
  - (1) MOUNTING BRACKET FOR HYDRAULIC SPREADER
  - (1) TOOL AIR REGULATOR AND GAUGES
- COMPARTMENT RS2 CONTAINS:
  - (1) STORAGE RACK WITH 6 SLOTS
  - (1) TOOL AIR REEL W/150' OF HOSE
  - (1) ELECTRIC CORD REEL WITH 200' OF 10/4 YELLOW CORD
- COMPARTMENT RS3 CONTAINS:
  - (1) VERTICAL COMPARTMENT DIVIDER
  - (1) 42" DP TOOLBOARD MOUNTED IN TRAY
  - (1) 42" DP ADJ SLIDE OUT/TILT TRAY
  - (1) 42" DP ADJ SLIDE OUT/TILT TRAY
  - (1) 0.25" AIR OUTLET
  - (1) 0.75" AIR OUTLET WITH VALVE
- COMPARTMENT RS4 CONTAINS:
  - (1) VERTICAL COMPARTMENT DIVIDER
  - (1) 42" DP ADJ SLIDE OUT/TILT TRAY
  - (1) 42" DP ADJ SLIDE OUT/TILT TRAY
  - (1) POLISHED 5/8" ON COMPARTMENT FLOOR
  - (1) HORIZONTAL FLOOR EXTENSION
  - (2) 1/2" DEPTH ADJ SHELVES
- COMPARTMENT RS5 CONTAINS:
  - (2) 42" DP ADJ SLIDE OUT/TILT TRAYS
  - (1) 85" 2-WAY ADJ SLIDE OUT TRAY
  - (2) FLOOR MOUNTED TRAYS
  - (1) VERTICAL COMPARTMENT DIVIDER
  - (3) 42" DP ADJ SLIDE OUT TRAYS
  - (1) 20A, 120V T.L. RECEPTACLE
  - (1) 0.25" AIR OUTLET
  - (1) 60A, 240V 3-PHASE RECEPTACLE
  - (1) AIR INLET/OUTLET W/SHUT-OFF VALVE
  - (1) HORIZONTAL FLOOR EXTENSION



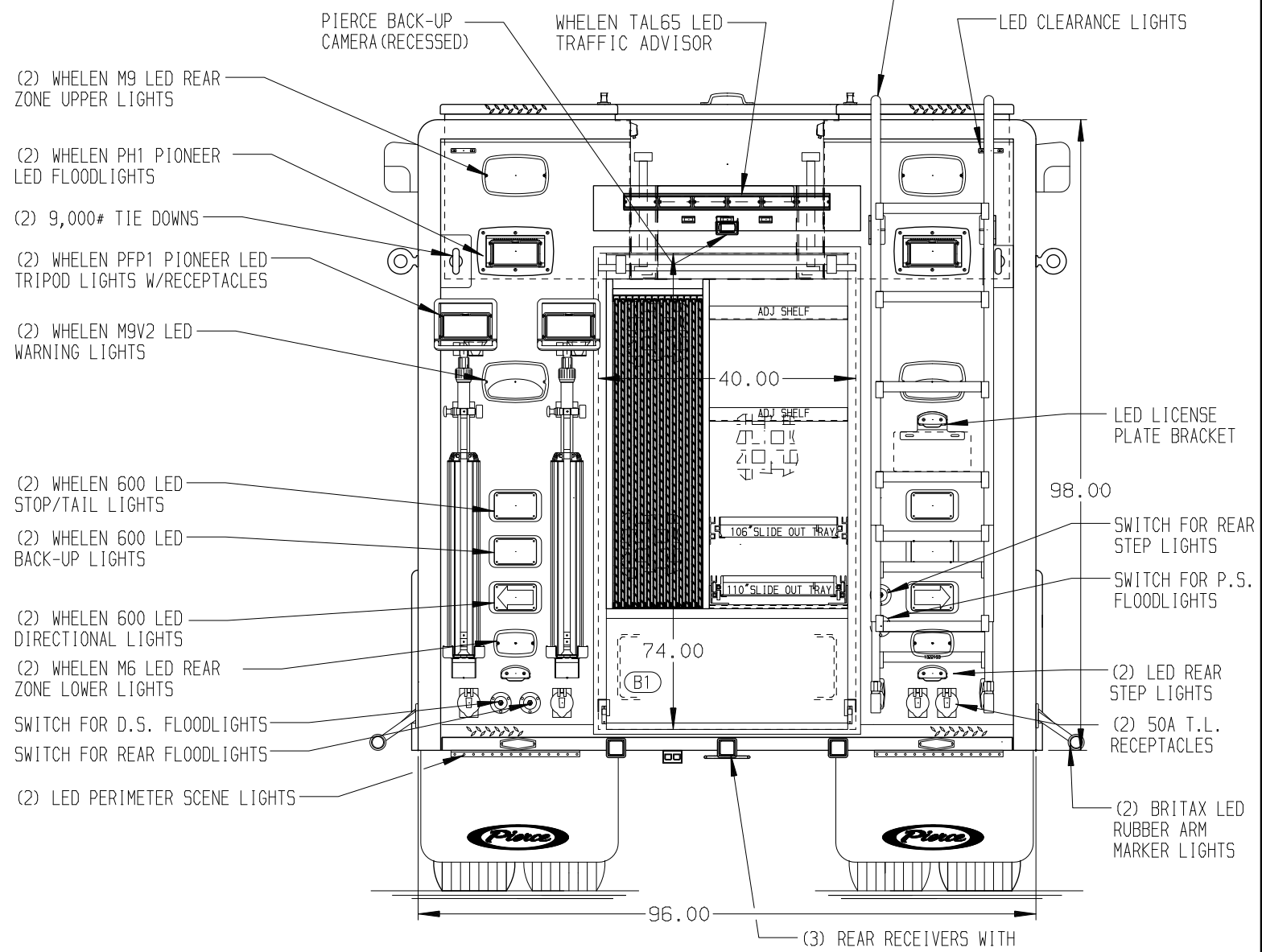
**LEFT SIDE COMPARTMENTS CONTAIN THE FOLLOWING:**

- COMPARTMENT LS1 CONTAINS:
  - (3) 22" DP ADJ SLIDE OUT/TILT TRAYS
  - (3) 22" DP ADJ SLIDE OUT TRAYS
  - (2) FLOOR MOUNTED TRAYS
  - (1) VERTICAL COMPARTMENT DIVIDER
  - (1) LOW PRESSURE AIR REEL W/150' OF 1" HOSE
  - (1) 20A, 120V T.L. RECEPTACLE
  - (1) 30A, 240V T.L. RECEPTACLE
  - (1) TOOL AIR REGULATOR AND GAUGES
  - (1) 22" DP ADJ SHELVES W/1" LIP
- COMPARTMENT LS2 CONTAINS:
  - (1) CIRCUIT BREAKER PANEL
  - (1) GENERATOR METER PANEL
  - (2) SUB FEED BOXES
  - (1) TOOL AIR COMPRESSOR CONTROL PANEL
  - (1) REMOTE START FOR PTO GENERATOR
  - (3) 15A, 120V RECEPTACLE STRIPS
  - (1) TOOL AIR REEL W/150' OF HOSE
  - (1) ELECTRIC CORD REEL WITH 200' OF 10/4 YELLOW CORD
  - (3) 15/20A, 120V T.L. RECEPTABLES
- COMPARTMENT LS3 CONTAINS:
  - (1) VERTICAL COMPARTMENT DIVIDER
  - (1) 42" DP TOOLBOARD MOUNTED IN TRAY
  - (1) 42" DP ADJ SLIDE OUT/TILT TRAY
  - (1) 42" DP ADJ SLIDE OUT TRAY
  - (1) 22" DP ADJ SHELF W/1" LIP
  - (1) 0.25" AIR OUTLET
  - (1) 0.75" AIR OUTLET WITH VALVE
- COMPARTMENT LS4 CONTAINS:
  - (1) VERTICAL COMPARTMENT DIVIDER
  - (1) 42" DP ADJ SLIDE OUT/TILT TRAYS
  - (1) FLOOR MOUNTED TRAY
  - (1) RACK FOR 10 AIR BAGS
  - (1) 12 GALLON DEF FLUID TANK
  - (1) RACK FOR 2 SOB BOTTLES
  - (1) HORIZONTAL FLOOR EXTENSION
  - (3) BLADE TRAYS UNDER TRAY
- COMPARTMENT LS5 CONTAINS:
  - (2) 42" DP ADJ SLIDE OUT/TILT TRAYS
  - (1) 85" 2-WAY ADJ SLIDE OUT TRAY
  - (1) FLOOR MOUNTED TRAY
  - (1) VERTICAL COMPARTMENT DIVIDER
  - (2) 42" DP ADJ SLIDE OUT/TILT TRAYS
  - (1) 4-DRAWER TECH CABINET
  - (1) 20A, 120V T.L. RECEPTACLE
  - (1) 60A, 240V 3-PHASE RECEPTACLE
  - (1) 0.25" AIR OUTLET
  - (1) AIR INLET/OUTLET W/SHUT-OFF VALVE
  - (1) KUSSMAUL PUMP PLUS 100 CHARGER
  - (1) XANTREX 1800W INVERTER
  - (1) HORIZONTAL FLOOR EXTENSION

**REAR COMPARTMENT CONTAINS THE FOLLOWING:**

COMPARTMENT B1 CONTAINS:

- (1) 106" DP FIXED SLIDE OUT TRAY
- (1) HORIZONTAL FLOOR EXTENSION
- (2) 110" DP ADJ SHELVES
- (1) RACK FOR 14 SHEETS OF PLYWOOD
- (1) CARGO RETENTION NETTING
- (1) POLISHED 5/8" ON COMPARTMENT FLOOR
- (1) 110" DP FLOOR MOUNTED SLIDE OUT TRAY



**CUSTOMER APPROVAL**  
APPROVED BY:  
DATE:

**Pierce MANUFACTURING INC.**

JOB NO. 37908  
SCALE 1:24 DATE  
DRAWN BY DHE 04AUG22  
CHECKED BY CDK 5AUG22  
SHEET SIZE SHEET NO.  
D 1 OF 1

**NOTE**  
DIMENSIONS SHOWN ARE APPROXIMATE AND ARE SUBJECT TO MINOR DEVIATIONS AS MAY OCCUR OR BE NECESSARY IN CONSTRUCTION. MINOR DETAILS NOT SHOWN.

- NOTES:
- (2) WARN 9,000# PORTABLE WINCHES
  - (2) AMKUS ARS1 CAPSTAN RESCUE KITS
  - (3) BRUSHED 5/8" SCUFFPLATE IN FRONT OF OFFICER'S SEAT
  - ALUMINUM TREADPLATE ON RAISED CAB ROOF
  - FLOOR IN CAB AND CREW CAB TO BE PADDED RUBBER
  - (4) STREAMLIGHT FIREBOX LIGHTS UNDER OUTBOARD SEATS, 2 ON EACH SIDE
  - DAVID CLARK 5-POSITION INTERCOM SYSTEM
  - POLISHED 5/8" SCUFFPLATES ON CAB AND CREW CAB DOORS
  - PULL STRIPS ON ALL BODY ROLL-UP DOORS
  - ELECTRIC DOOR LOCKS ON BODY ROLL-UP DOORS

- "L"-SHAPED GUARDS OVER ALL ROLL-UP DOORS
- ON-SCENE LED LIGHT STRIPS IN ALL BODY AND HATCH COMPARTMENTS
- DRY-BECK MATTING ON ALL COMPARTMENT SHELVES AND TRAYS
- OVAN 40W THREE PHASE PTO DRIVEN GENERATOR WITH SPASH GUARD LOCATED BETWEEN THE FRAME RAILS
- 15A, 120V RECEPTACLE STRIP LOCATED IN THE REAR CAB

**CLEAR DOOR WIDTH KEY**

AMOR ROLL UP DOORS:	-2 1/4"
CORTITE ROLL UP DOORS:	-2 1/2"
PIERCE DOUBLE LIP DOORS:	-4 1/4"
PIERCE LIFT-UP LIP DOORS:	-1 1/2"

(EX: 60" F-F - 2 1/4" = 57 3/4" CLEAR)  
(F-F) = FRAME TO FRAME

REV	DATE	BY	CH	MODEL
				AX6720

TITLE	HEAVY DUTY RESCUE NON-WALK-IN
FOR	SAN DIEGO FIRE DEPARTMENT SAN DIEGO, CA
DWG NO.	37908AD