

Pumper, PUC BODY

Pumper, PUC, Aluminum
CHASSIS
Velocity Chassis, PUC (Medium Block)

CHASSIS
AXLE, FRONT, CUSTOM
23,000 Lb Dana Axle

AXLE, REAR
31,000 Lb Meritor Axle

ENGINE
450 HP Cummins L9 Engine

TRANSMISSION
Allison 5th Gen, 3000 EVS P

BUMPER
26" Extended Stainless Steel

CAB
7010 Velocity FR Cab, PUC

BODY
WATER TANK

1000 Gallon Poly Water Tank

COMPT, PUMPER, REAR
50.50" FF RollUp Rear Compt w/Tailboard, PUC

COMPT, PUMPER, LEFT SIDE
214" RollUp Full Height & Depth Front & Rear, PUC

COMPT, PUMPER, RIGHT SIDE
214" RollUp Full Height & Depth Front & Rear, PUC

FIRE SUPPRESSION
PUMPHOUSE

Control Zone, PUC

PUMP

1500 GPM Pierce PUC

CROSSLAYS, 1.50"
(2) 1.50", Poly Trays, 200'

CROSSLAYS, 2.50"
(1) 2.50", Poly Tray, 200'

GENERATOR
6KW MSV

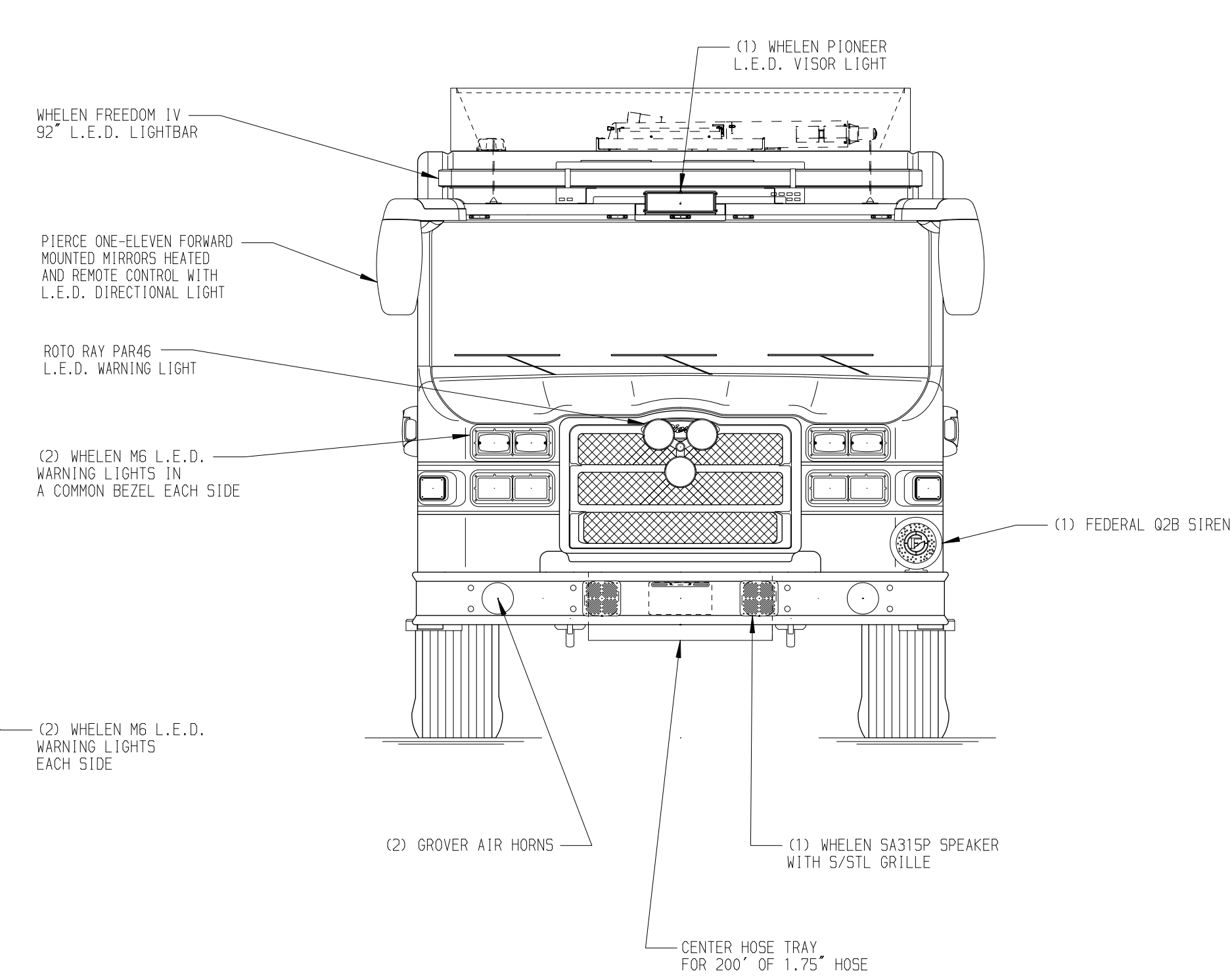
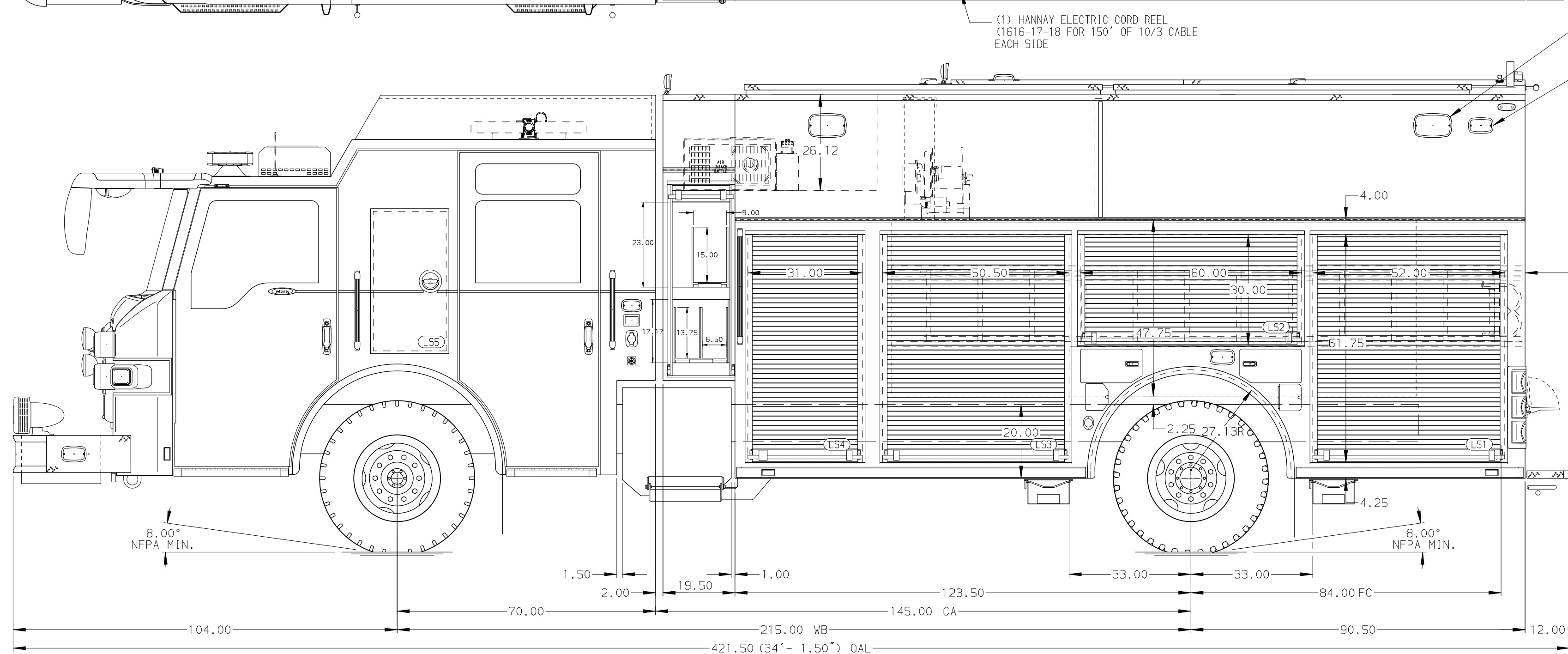
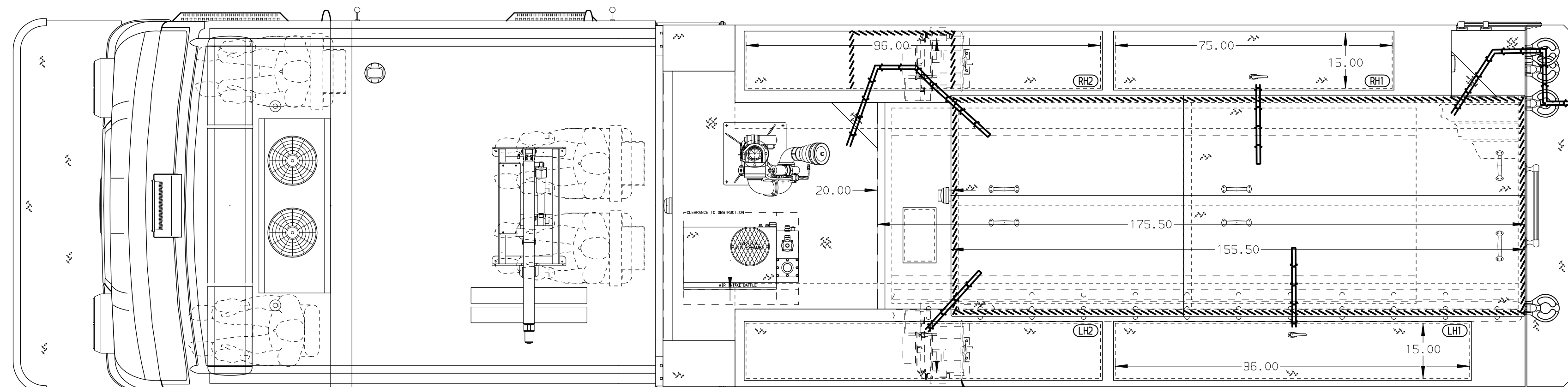
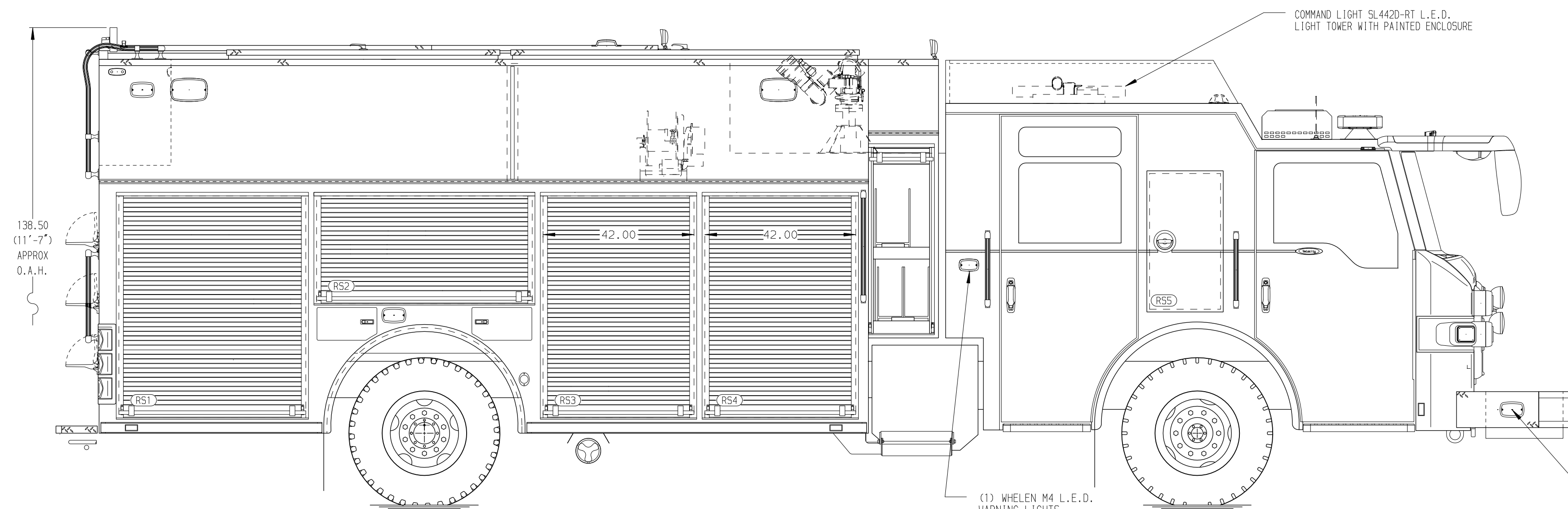
Foam System
Foam System Not Required

Foam Cell
Foam Cell Not Required

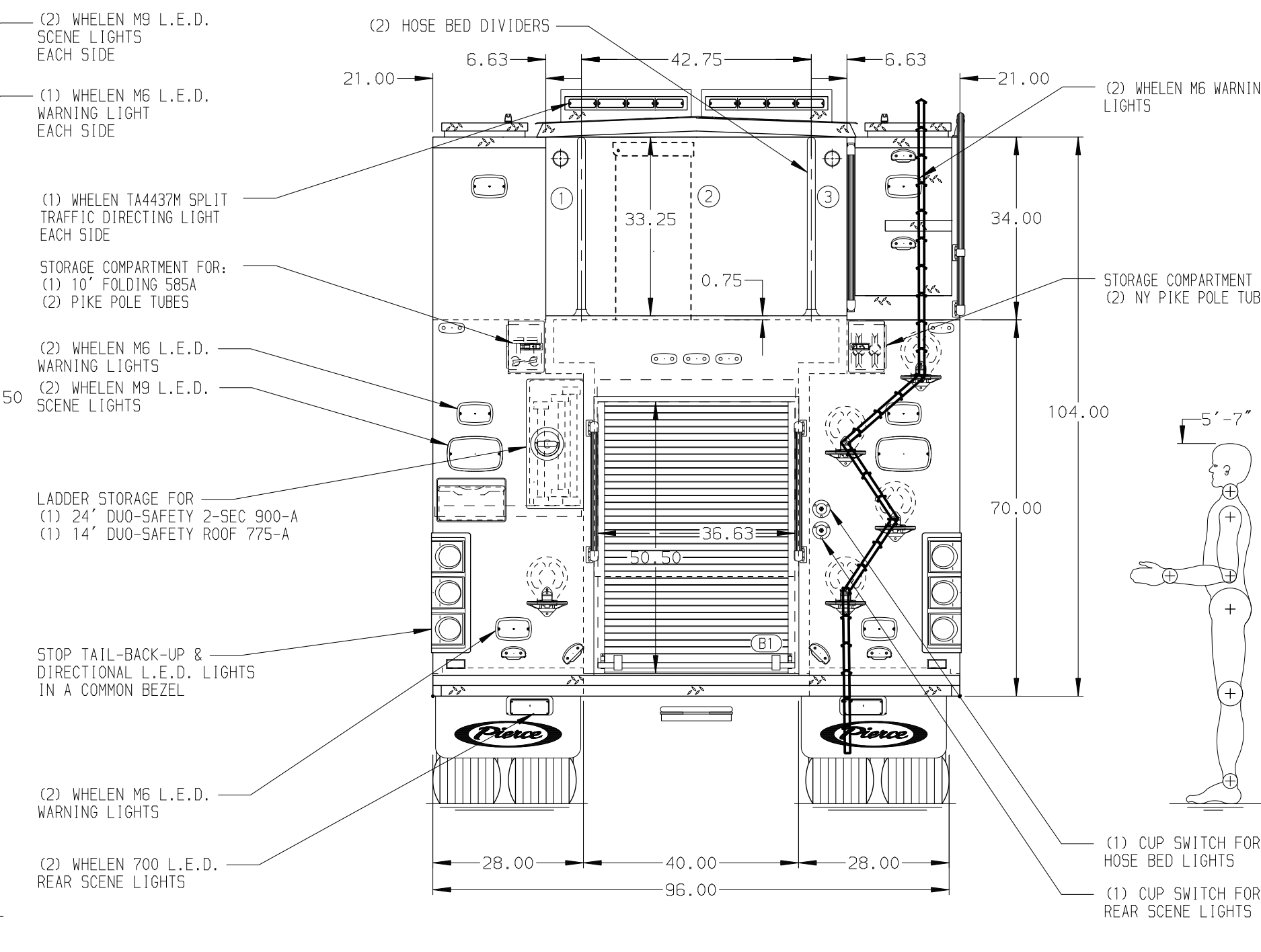
Side Roll and Frontal Impact Protection

NOTE
DIMENSIONS SHOWN ARE APPROXIMATE
AND ARE SUBJECT TO MINOR DEVIATIONS
AS MAY OCCUR OR BE NECESSARY IN
CONSTRUCTION.
MINOR DETAILS NOT SHOWN.

- ONE 1.50" OUTLET WITH 2.00" PIPING AND SWIVEL LOCATED IN CENTER BUMPER TRAY
- SHOULDER RECEPTACLE WITH KUSSMALL SUPER AUTO-EJECT LOCATED ON DRIVER SIDE BEHIND CREW CAB DOOR
- AIR INLET WITH DISCONNECT COUPLING DRIVER SIDE BEHIND CREW CAB DOOR
- BATTERY CHARGER LOCATED PER ORDER
- BATTERY CHARGE INDICATOR LOCATED DRIVER SIDE BEHIND CREW CAB DOOR
- NINE ADJUSTABLE SHELVES LOCATED PER ORDER
- FIVE FLOOR MOUNTED SLIDE-OUT TRAYS LOCATED PER ORDER
- TWO SWING-OUT TOOLBOARDS LOCATED PER SHOP ORDER
- ONE SLIDE-OUT TOOLBOARD LOCATED PER SHOP ORDER
- AUTOMATIC TIRE CHAINS



HOSEBED CAPACITY	
BED 1	300' OF 3.00" D.J. POLY HOSE
BED 2	2400' OF 5.00" D.J. POLY HOSE
BED 3	300' OF 2.50" D.J. POLY HOSE



CUSTOMER APPROVAL			
APPROVED BY:			
DATE:			
CHASSIS DATA	TITLE	Pierce PUC Pumper Approval Drawing	
MAKE	FOR	Joplin Fire Department	
PIERCE	MODEL	DWG NO.	37925AD
VELOCITY FR	FR		
REV	DATE	BY	CH

Pierce MANUFACTURING INC.		JOB NO.	37925
SCALE	1:24	DATE	
DRAWN BY	MMF	DATE	25MAR22
CHECKED BY	COL	DATE	06ARP22
SHEET SIZE	D	SHEET NO.	1 OF 1