

**RIGHT SIDE COMPARTMENTS CONTAIN THE FOLLOWING:**

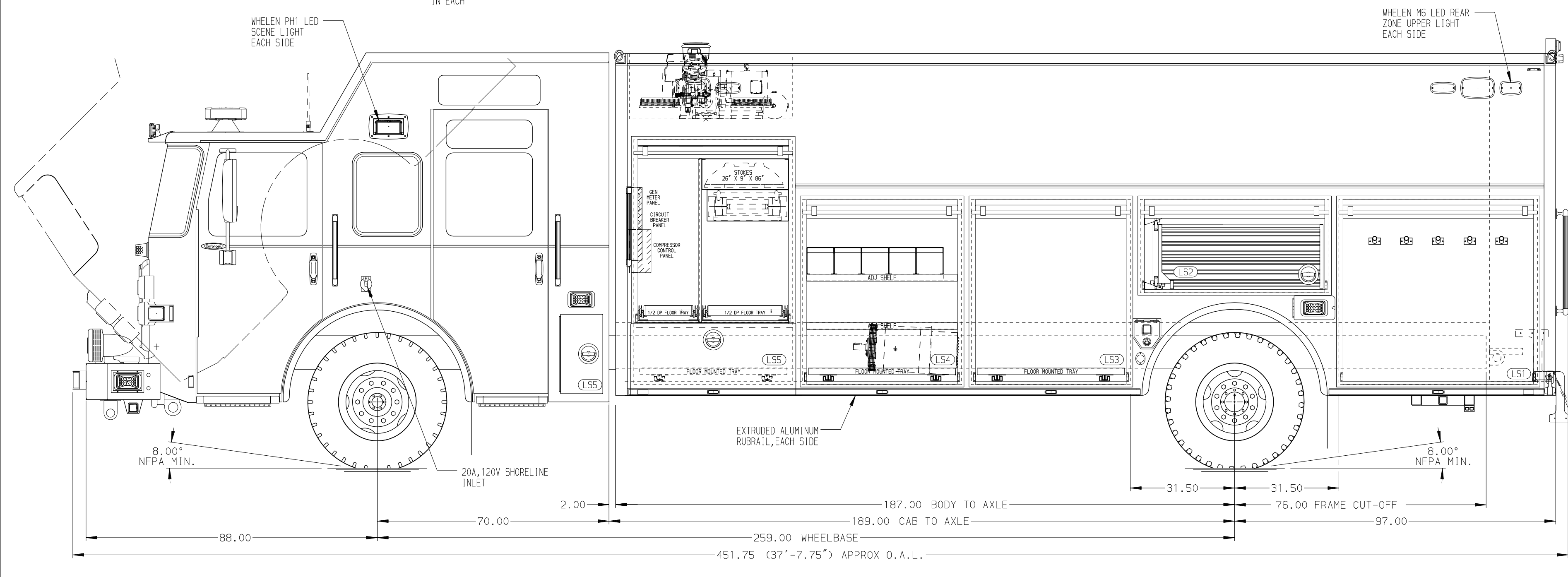
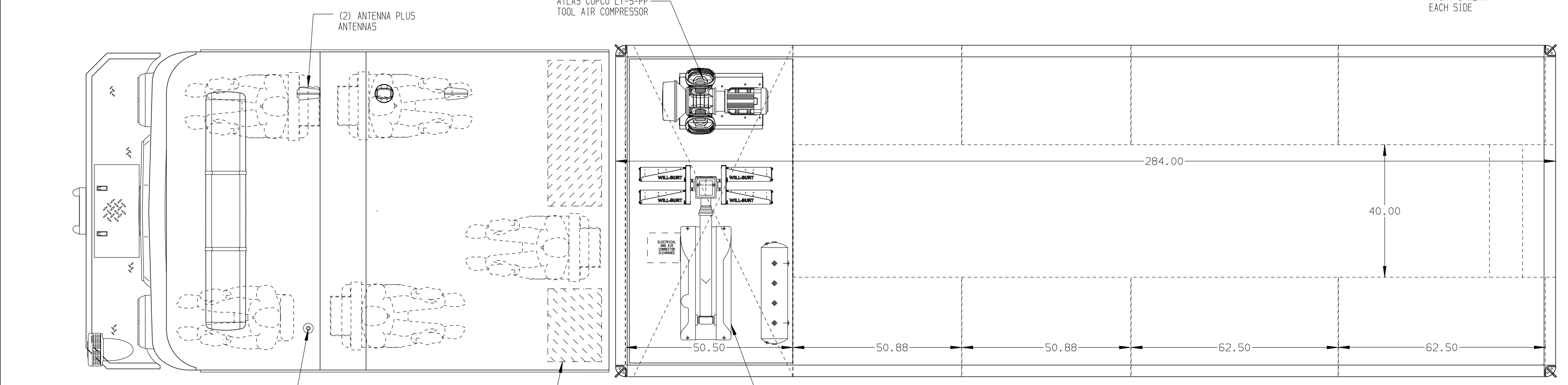
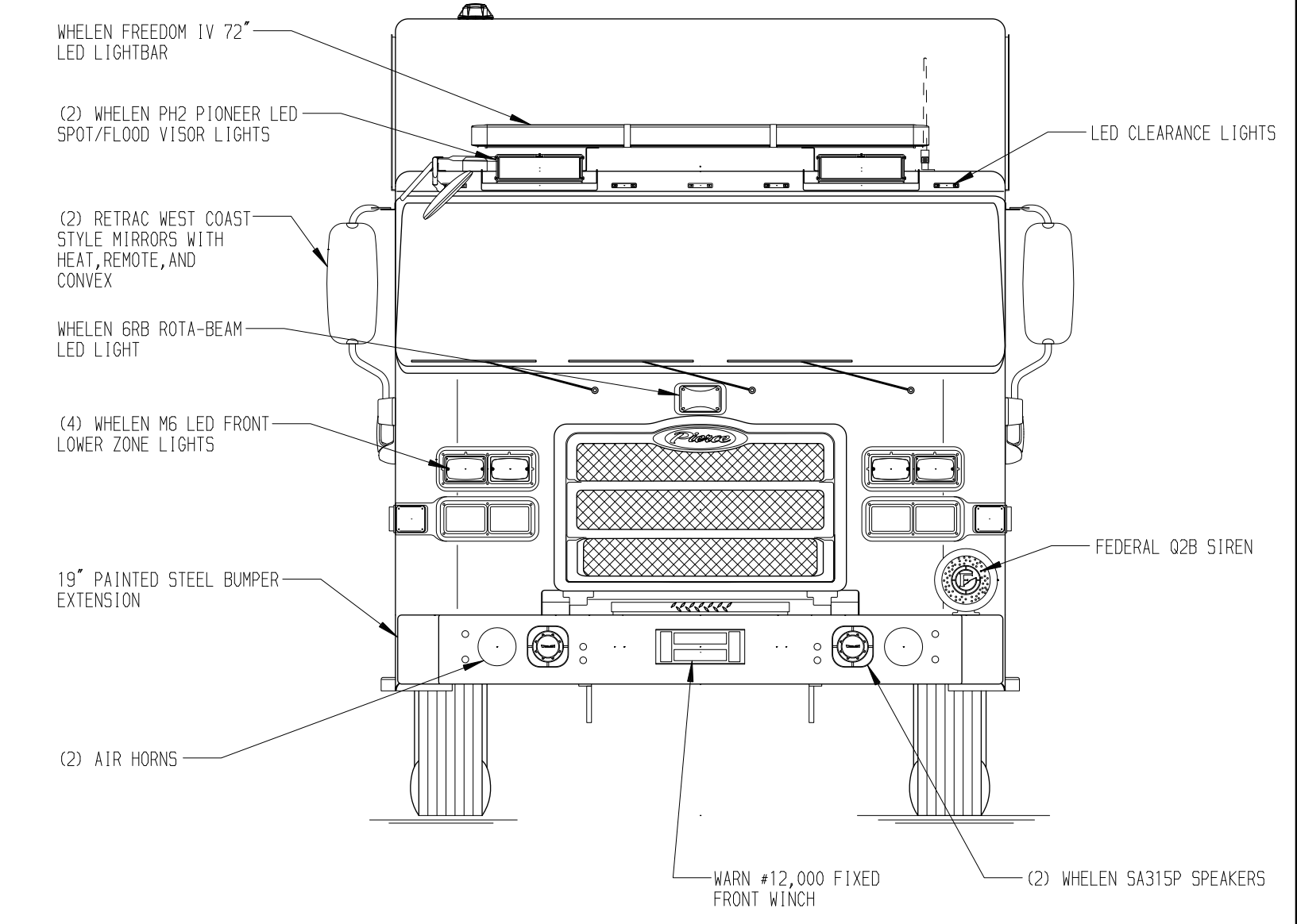
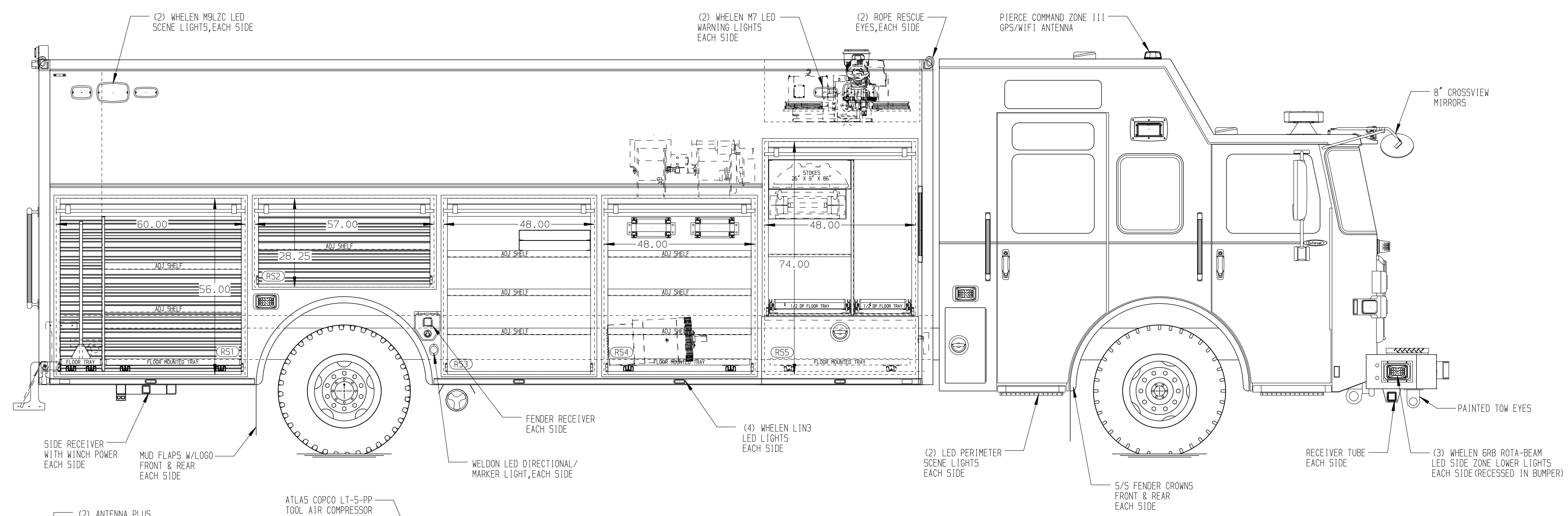
COMPARTMENT RS1 CONTAINS:  
 - (2) STD DEPTH ADJ SHELVES  
 - (1) VERTICAL COMPARTMENT DIVIDER  
 - (1) FLOOR MOUNTED TRAY  
 - (1) FLOOR MOUNTED TRAY WITH TOOLBOARD  
 - PAC TRAC ON REAR WALL OF COMPARTMENT  
 - (1) 15/20A, 120V DUPLEX RECEPTACLE

COMPARTMENT RS2 CONTAINS:  
 - (1) STD DEPTH ADJ SHELF  
 - PAC TRAC ON REAR WALL OF COMPARTMENT

COMPARTMENT RS3 CONTAINS:  
 - (3) STD DEPTH ADJ SHELVES  
 - (1) RACK FOR 2 AIR BAGS

COMPARTMENT RS4 CONTAINS:  
 - (3) STD DEPTH ADJ SHELVES  
 - (1) FLOOR MOUNTED TRAY  
 - (1) ELECTRIC CORD REEL WITH 200' OF 10/3 YELLOW CORD  
 - (1) TOOL AIR REEL WITH 200' OF HOSE

COMPARTMENT RS5 CONTAINS:  
 - (1) CAB LIFT CONTROLLER  
 - (1) STOKES BASKET RACK  
 - (1) RACK FOR LITTLE GIANT LADDER  
 - (1) HORIZONTAL COMPARTMENT DIVIDER  
 - (1) VERTICAL COMPARTMENT DIVIDER  
 - (2) 1/2 DEPTH FLOOR MTD SLIDE OUT TRAY  
 - (1) FLOOR MOUNTED TRAY  
 - (1) ROADPRO 300 CERAMIC HEATER  
 - (1) 3/16" PERMANENT SHELF (INVERTED)



**LEFT SIDE COMPARTMENTS CONTAIN THE FOLLOWING:**

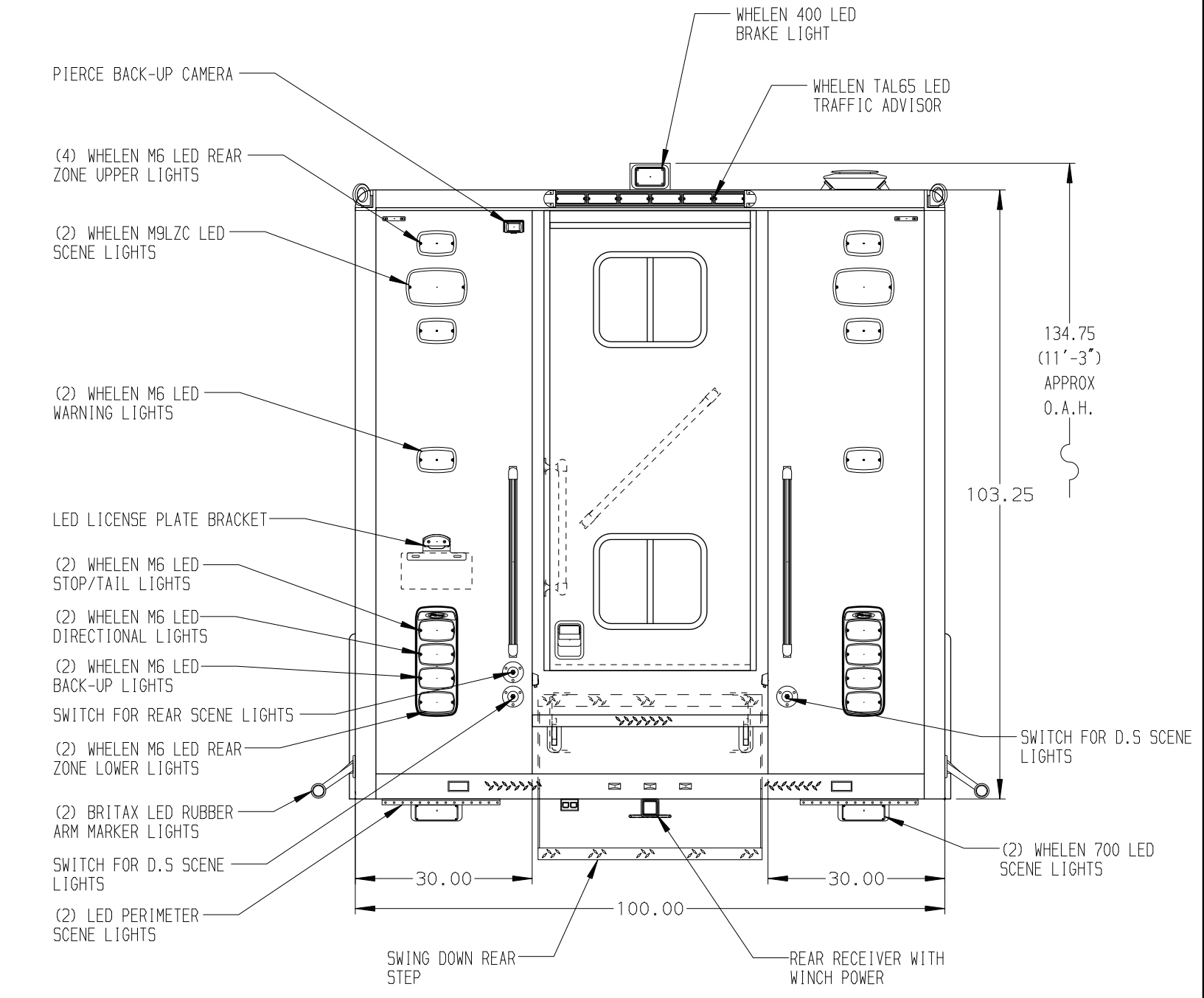
COMPARTMENT LS1 CONTAINS:  
 - (5) HANGER POSTS FOR HOSE, ROPE, CHAIN, ETC.

COMPARTMENT LS2 CONTAINS:  
 - (2) SWING OUT TOOLBOARDS W/PAC TRAC

COMPARTMENT LS3 CONTAINS:  
 - (1) FLOOR MOUNTED TRAY

COMPARTMENT LS4 CONTAINS:  
 - (2) STD DEPTH ADJ SHELVES  
 - (1) FLOOR MOUNTED TRAY  
 - (1) RACK FOR 5 EXTINGUISHERS

COMPARTMENT LS5 CONTAINS:  
 - (1) STOKES BASKET RACK  
 - (1) RACK FOR LITTLE GIANT LADDER  
 - (1) HORIZONTAL COMPARTMENT DIVIDER  
 - (1) VERTICAL COMPARTMENT DIVIDER  
 - (2) 1/2 DEPTH FLOOR MTD SLIDE OUT TRAY  
 - (1) FLOOR MOUNTED TRAY  
 - (1) CIRCUIT BREAKER PANEL  
 - (1) GENERATOR METER PANEL  
 - (1) NIGHTSCAN CONTROLLER



**NOTE**  
 DIMENSIONS SHOWN ARE APPROXIMATE AND ARE SUBJECT TO MINOR DEVIATIONS AS MAY OCCUR OR BE NECESSARY IN CONSTRUCTION.  
 MINOR DETAILS NOT SHOWN.

- NOTES:**
1. WARN #9,000 PORTABLE RECEIVER STYLE WINCH
  2. FLOOR IN CAB AND CREW CAB TO BE ALUMINUM TREADPLATE
  3. FREEDOM 52000 7-POSITION INTERCOM SYSTEM
  4. XANTREX CHARGER LOCATED BEHIND THE DRIVER'S SEAT
  5. BATTERY CHARGE INDICATOR LOCATED ON DRIVER'S SEAT RISER
  6. GUARDS ON ALL BODY ROLL-UP DOORS
  7. ELASTIC PULL STRAPS ON ALL BODY ROLL-UP DOORS
  8. PIERCE LED LIGHTS IN ALL BODY ROLL-UP DOORS
  9. DRI-DECK MATTING ON ALL BODY SHELVES AND TRAYS
  10. DRI-DECK MATTING ON FLOORS IN COMPARTMENTS LS1 AND RS2

11. ONAN 25kW SINGLE PHASE PTO DRIVEN GENERATOR LOCATED BETWEEN THE FRAME RAILS

(SIDE ROLL AND FRONTAL IMPACT PROTECTION)

**CUSTOMER APPROVAL**

APPROVED BY: \_\_\_\_\_

DATE: \_\_\_\_\_

REV	DATE	BY	CH

**CLEAR DOOR WIDTH KEY**

AMDR ROLL UP DOORS:	-2 1/4"
GORTITE ROLL UP DOORS:	-2 1/2"
PIERCE DOUBLE LIP DOORS:	-4 1/4"
PIERCE LIFT-UP LAP DOORS:	-1 1/2"

(EX: 60" F-F - 2 1/4" = 57 3/4" CLEAR)  
 (F-F) = FRAME TO FRAME

REV	DATE	BY	CH

		JOB NO. 37931
<b>Pierce MANUFACTURING INC.</b>		SCALE 1:24 DATE
TITLE	HEAVY DUTY RESCUE WALKIN	DRAWN BY DHE 250CT22
FOR	MISSISSAUGA FIRE AND EMERGENCY BID 815	CHECKED BY AZU 260CT22
DWG NO.	37931AD-SH1	SHEET SIZE D SHEET NO. 1 OF 1
	DEREK MACDONALD	