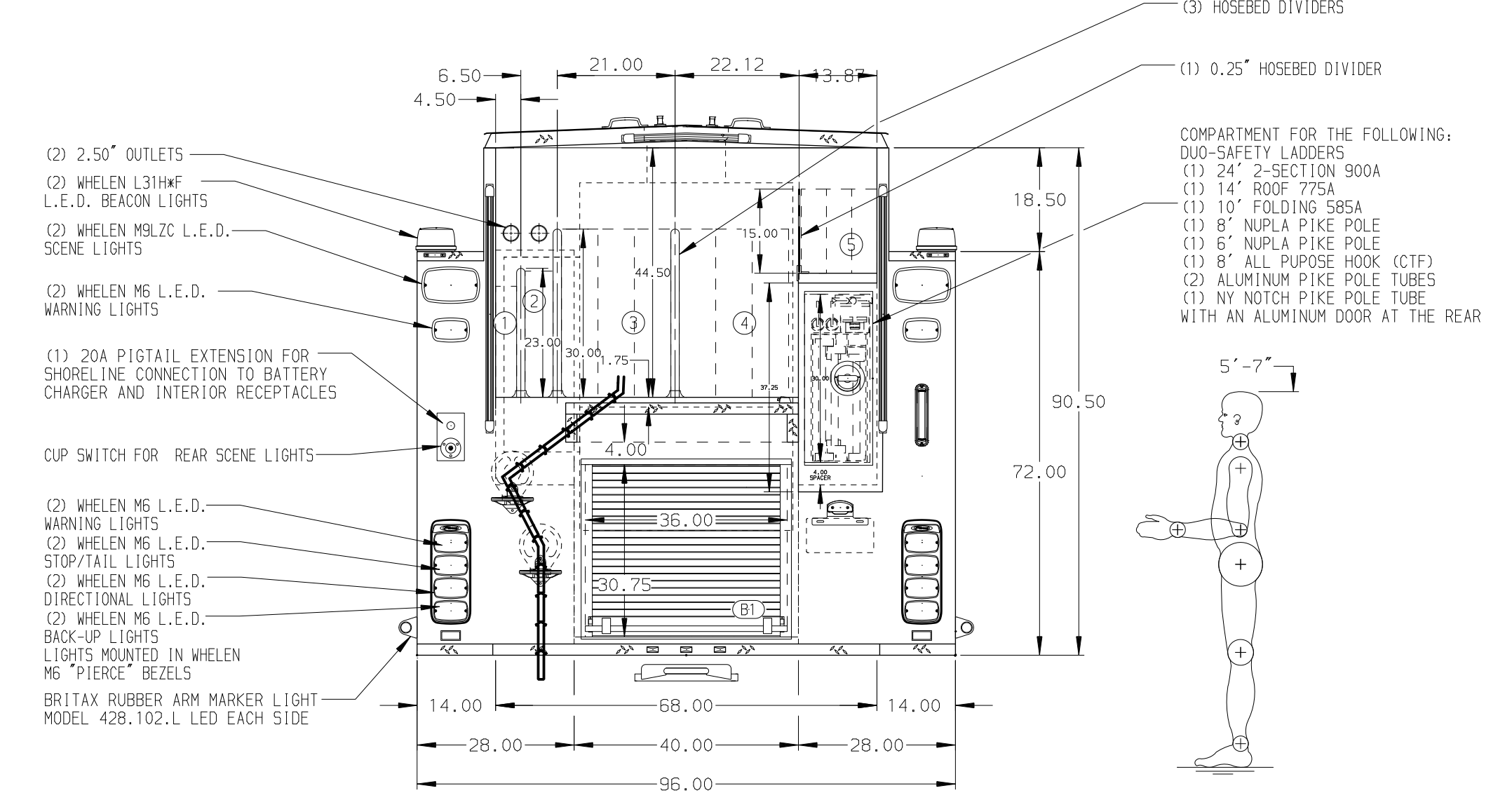
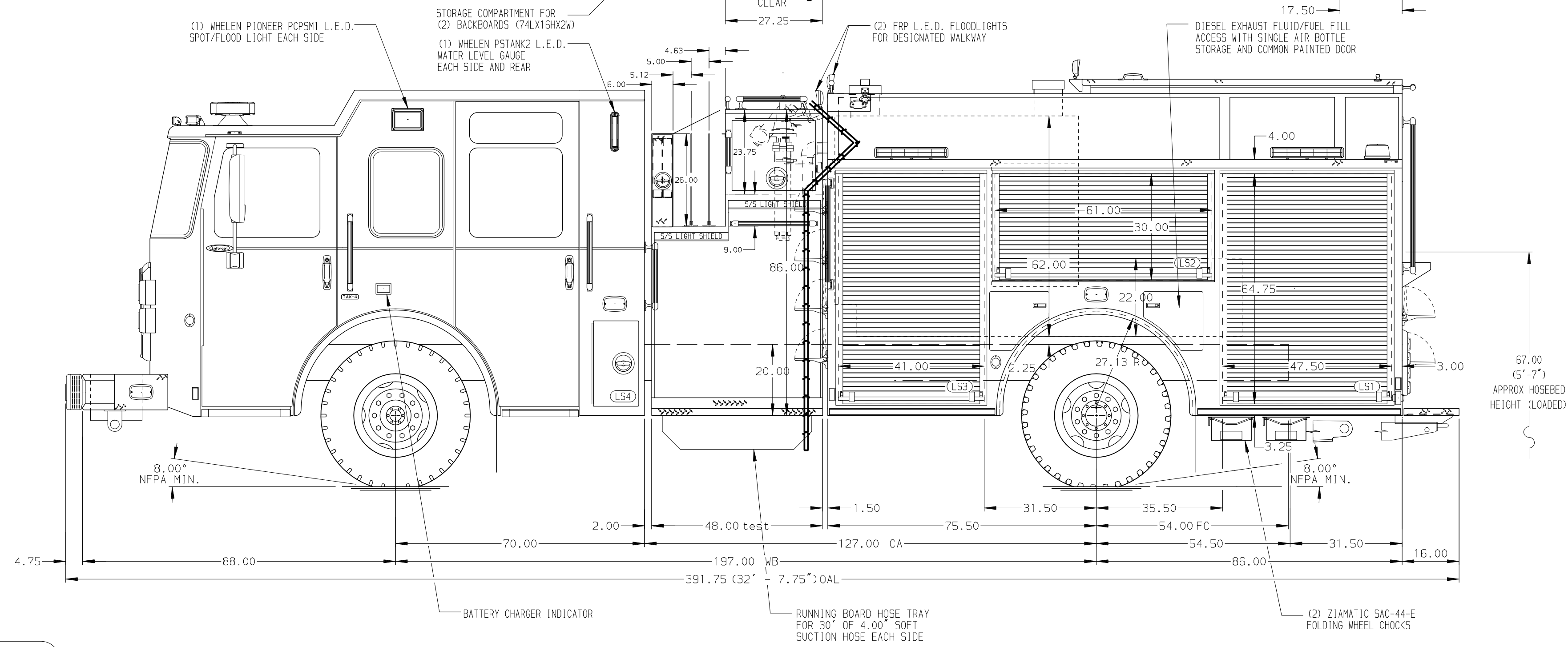


- HOSEBED CAPACITIES
- ① 200' OF 1.75" D.J. HOSE
 - ② 200' OF 2.50" D.J. HOSE
 - ③ 900' OF 4.00" D.J. HOSE
 - ④ 800' OF 4.00" D.J. HOSE
 - ⑤ 400' OF 2.50" D.J. HOSE



ALUMINUM BODY

NOTE
DIMENSIONS SHOWN ARE APPROXIMATE AND ARE SUBJECT TO MINOR DEVIATIONS AS MAY OCCUR OR BE NECESSARY IN CONSTRUCTION. MINOR DETAILS NOT SHOWN.

- 1. AIR INLET W/DISCONNECT COUPLING LOCATED PER ORDER
- 2. AIR OUTLET WITH SHUT-OFF VALVE LOCATED PER ORDER
- 3. BATTERY CHARGER LOCATED PER ORDER

REV	DATE	BY	CH	ENFORCER
02JAN23	KLE	DTJ		CHASSIS DATA
20SEP23	KLE	DTJ		MAKE
04AUG23	KLE	DTJ		PIERCE
20APR23	KLE	EGO		MODEL

		JOB NO.	37933
		SCALE	DATE
TITLE	1500-D-750P W/25 GALLON FOAM CELL, 161" PUMPER BODY (2)CROSSLAYS, (1)DEADLAYS, LADDERS BTWN TANK & SS	DRAWN BY	KLE
FOR	LONGVIEW FIRE DEPARTMENT LONGVIEW, WASHINGTON	CHECKED BY	CZA
DWG NO.	37933AD-SH1	SHEET SIZE	SHEET NO.
		D	1 OF 2