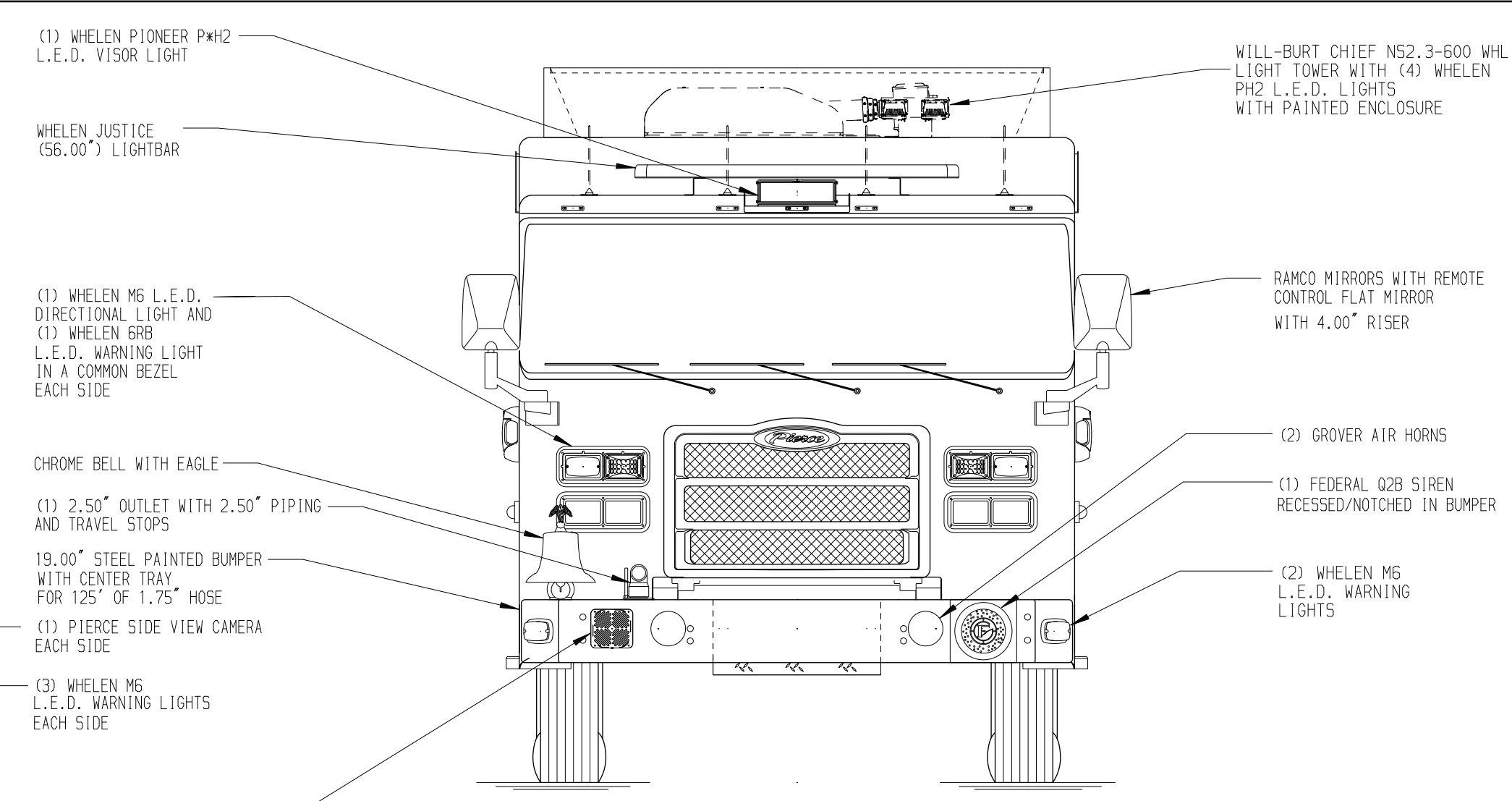
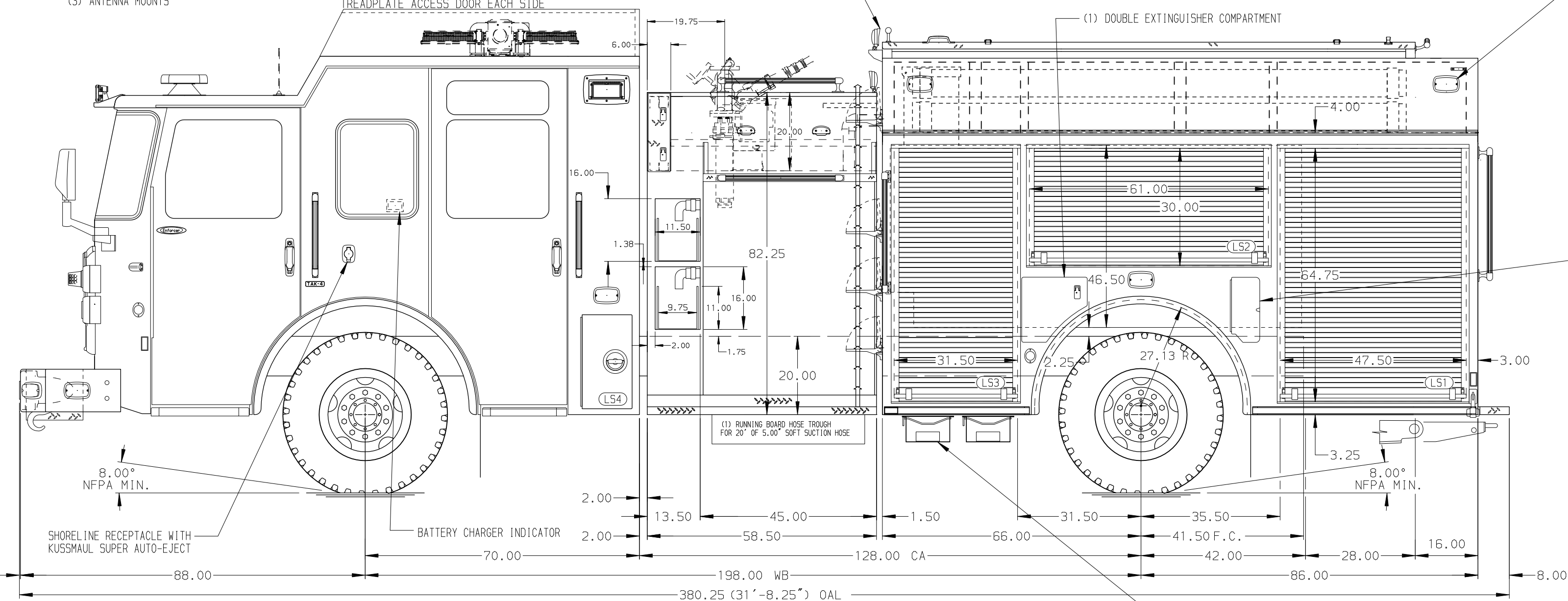
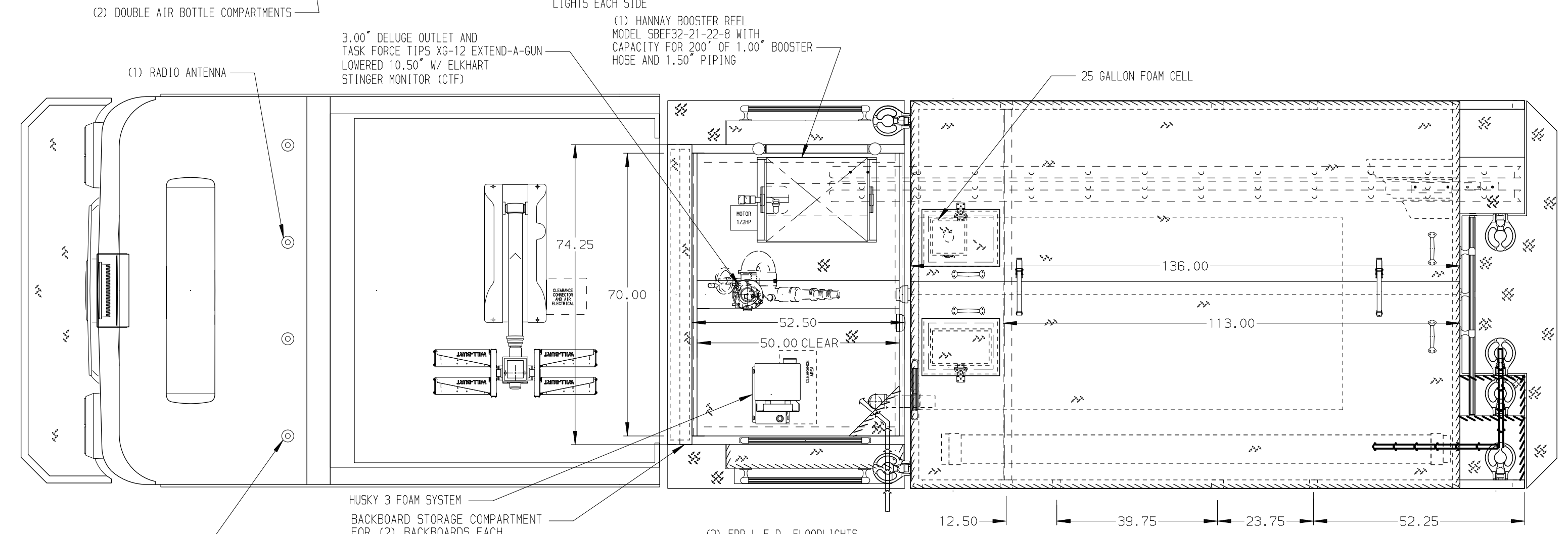
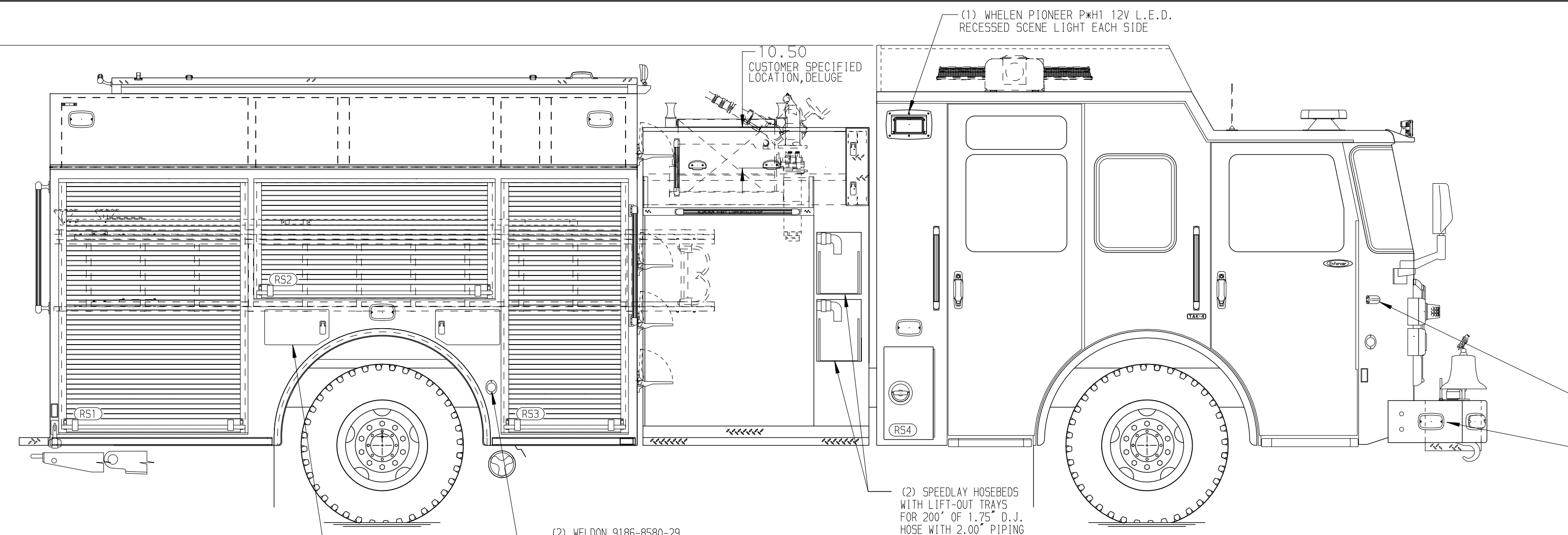
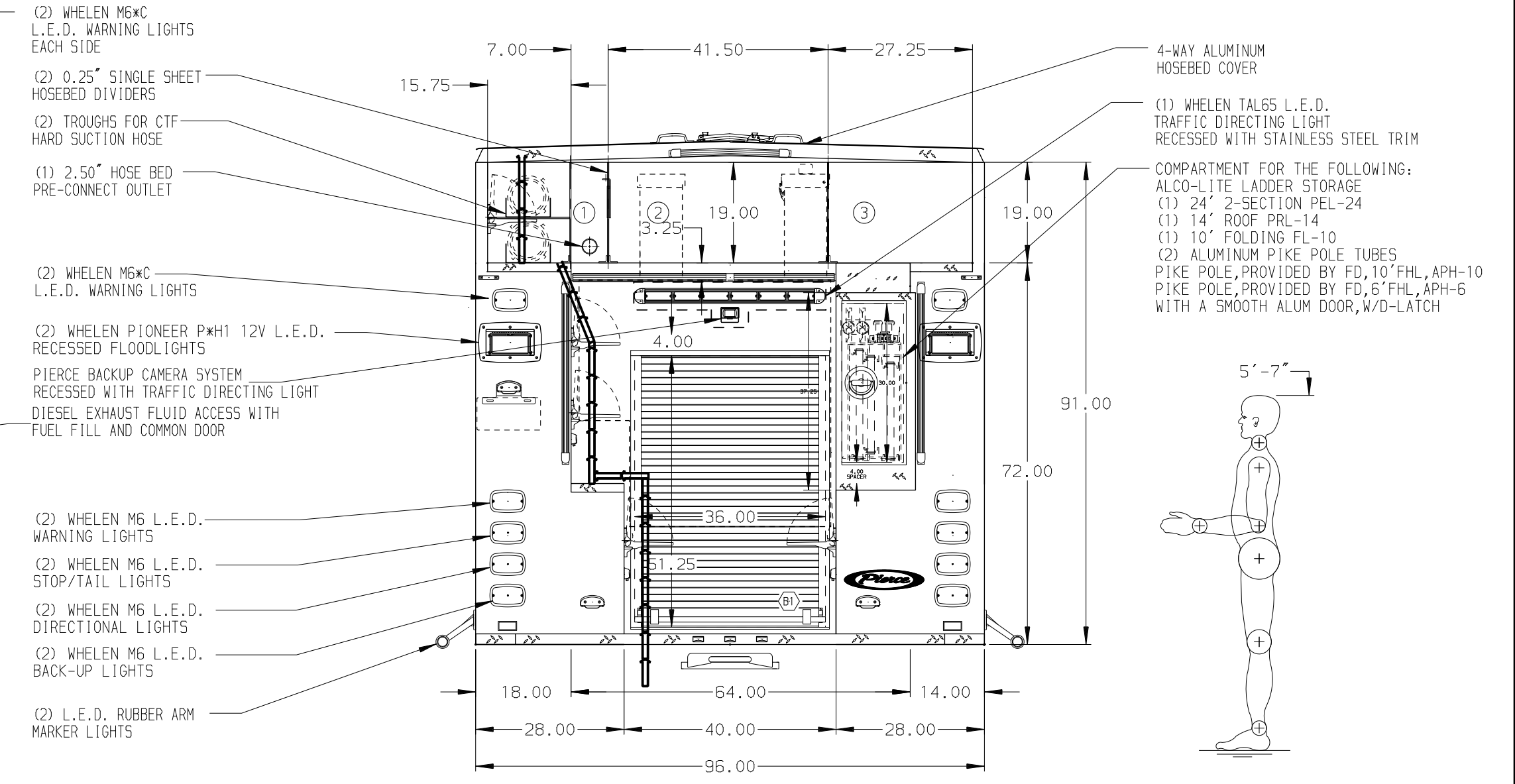


126.00
(10'-6")
APPROX
O.A.H.



- HOSEBED CAPACITIES
- ① 200' OF 3.00" D.J. POLY HOSE
 - ② 1000' OF 5.00" D.J. POLY HOSE
 - ③ 800' OF 3.00" D.J. POLY HOSE



ALUMINUM BODY

NOTE
DIMENSIONS SHOWN ARE APPROXIMATE AND ARE SUBJECT TO MINOR DEVIATIONS AS MAY OCCUR OR BE NECESSARY IN CONSTRUCTION. MINOR DETAILS NOT SHOWN.

- 1. AIR INLET/ OUTLET W/ DISCONNECT FITTING LOCATED PER SHOP ORDER
- 2. ONE 120V NEMA DUPLEX RECEPTACLE LOCATED IN THE CAB PER SHOP ORDER

CUSTOMER APPROVAL

APPROVED BY: _____
DATE: _____



JOB NO. 37937

SCALE 1:24 DATE

CHASSIS DATA	TITLE	1500-D-775P, 750GAL WATER-25 FOAM, 152" FULL HT DS & PS SP DEPTH DS, (2) SPD-LAYS, DELUGE, BOOSTER REEL
PIERCE	FOR	CLAY COUNTY FIRE RESCUE GREEN COVE SPRINGS, FLORIDA
MODEL	DWG NO.	37937AD-SH1
ENFORCER		

DRAWN BY	LST	09NOV22
CHECKED BY	JJR	11NOV22
SHEET SIZE	D	SHEET NO. 1 OF 1