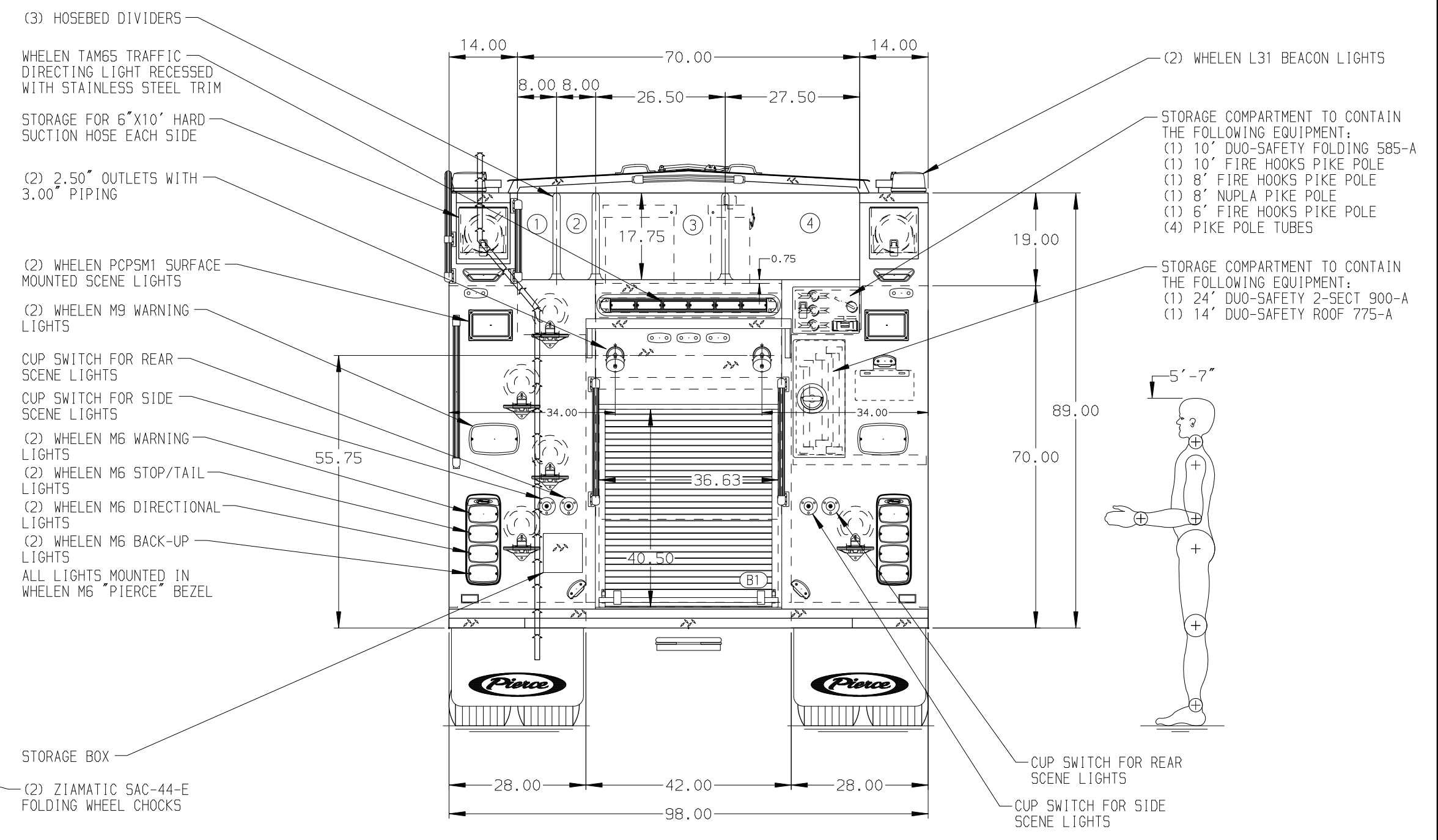
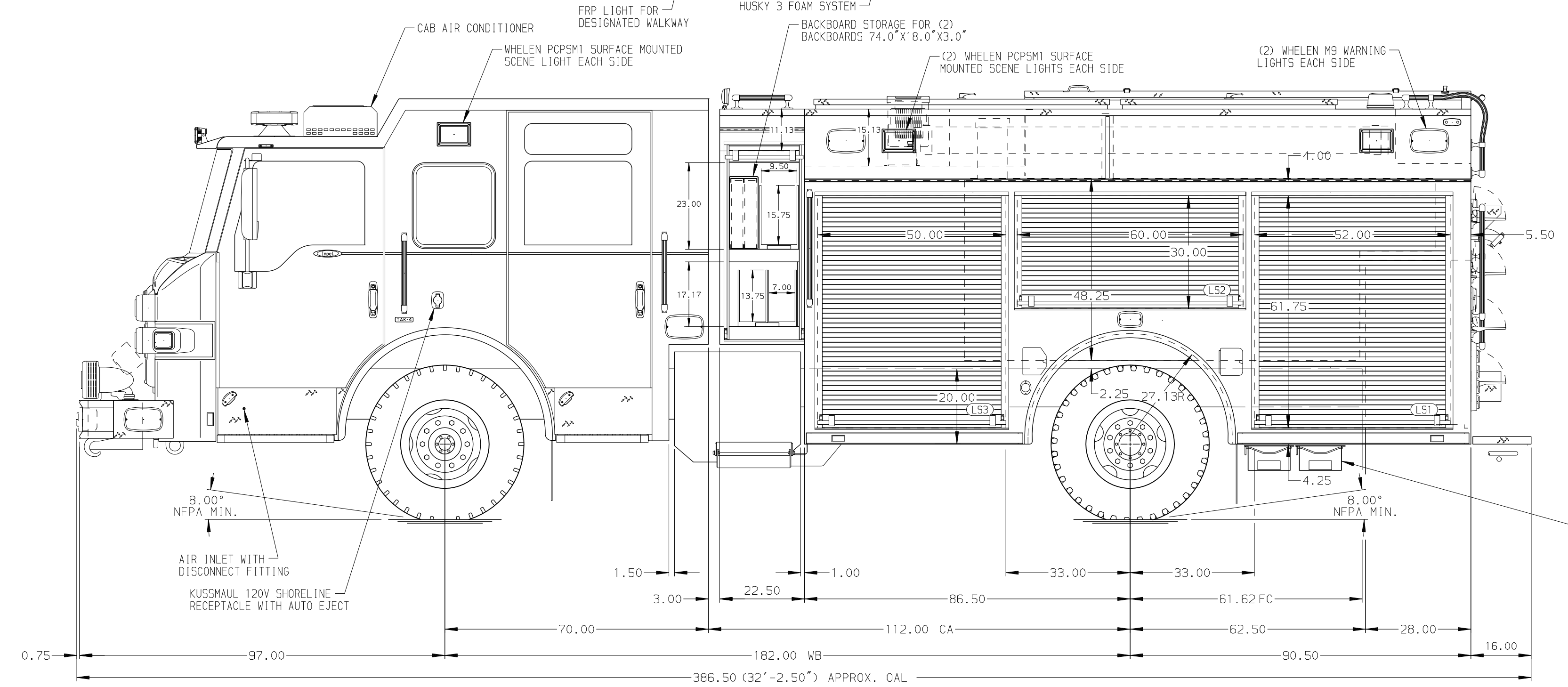


- HOSEBED CAPACITIES**
- ① 200' OF 2.50" D.J. POLY HOSE
 - ② 200' OF 2.50" D.J. POLY HOSE
 - ③ 800' OF 3.00" D.J. POLY HOSE
 - ④ 800' OF 3.00" D.J. POLY HOSE



ALUMINUM BODY MAXIMUM O.A.H. 132.00" FRONTAL IMPACT PROTECTION

NOTE
 DIMENSIONS SHOWN ARE APPROXIMATE AND ARE SUBJECT TO MINOR DEVIATIONS AS MAY OCCUR OR BE NECESSARY IN CONSTRUCTION. MINOR DETAILS NOT SHOWN.

1. HONDA CUSTOMER/DEALER FURNISHED GENERATOR LOCATED PER ORDER
2. AIR OUTLET WITH SHUT OFF VALVE LOCATED PER ORDER
3. BATTERY CHARGER LOCATED PER ORDER
4. BATTERY CHARGER INDICATOR LOCATED PER ORDER
5. EIGHT FULL WIDTH/DEPTH ADJUSTABLE SHELVES WITH SIDES LOCATED PER ORDER
6. THREE FLOOR MOUNTED SLIDE-OUT TRAYS WITH SIDES LOCATED PER ORDER
7. ONE SWING-OUT TOOLBOARD WITH PEGBOARD PATTERN LOCATED PER ORDER
8. CIRCUIT BREAKER PANEL LOCATED PER ORDER

CUSTOMER APPROVAL			
APPROVED BY:			
DATE:			
REV	DATE	BY	CH

		JOB NO. 37943	
		SCALE 1:24	DATE
CHASSIS DATA	TITLE	1500-D-750P, 710 GAL WATER W/40 GAL FOAM CELL	DRAWN BY BST
MAKE PIERCE	FOR	177" PUC RESCUE BODY, LADDERS THRU BODY, DELUGE	CHECKED BY CZA
MODEL	DWG NO.	CITY OF KEY WEST FIRE DEPARTMENT KEY WEST, FLORIDA	SHEET SIZE D
IMPEL		37943AD	SHEET NO. 1 OF 1