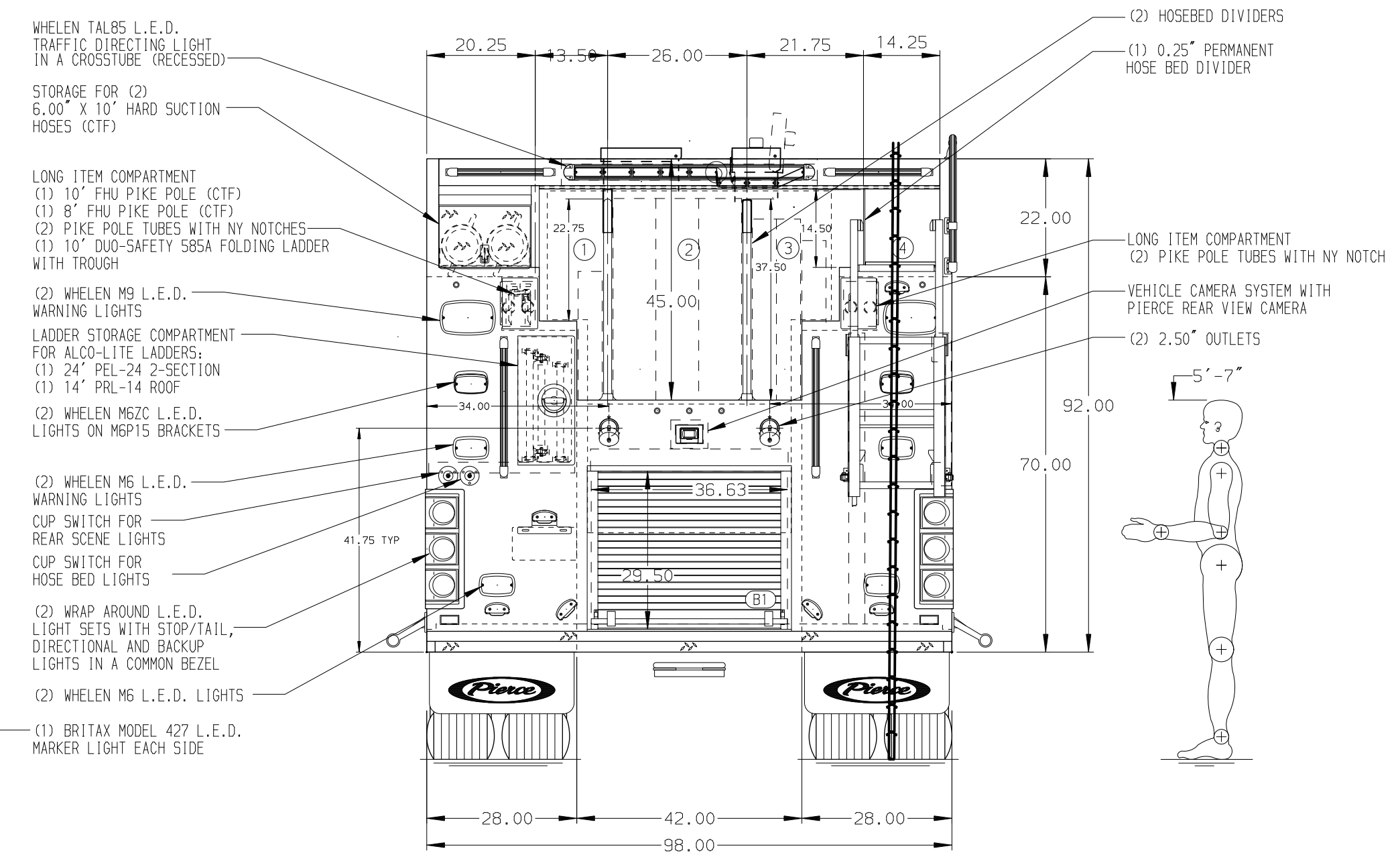
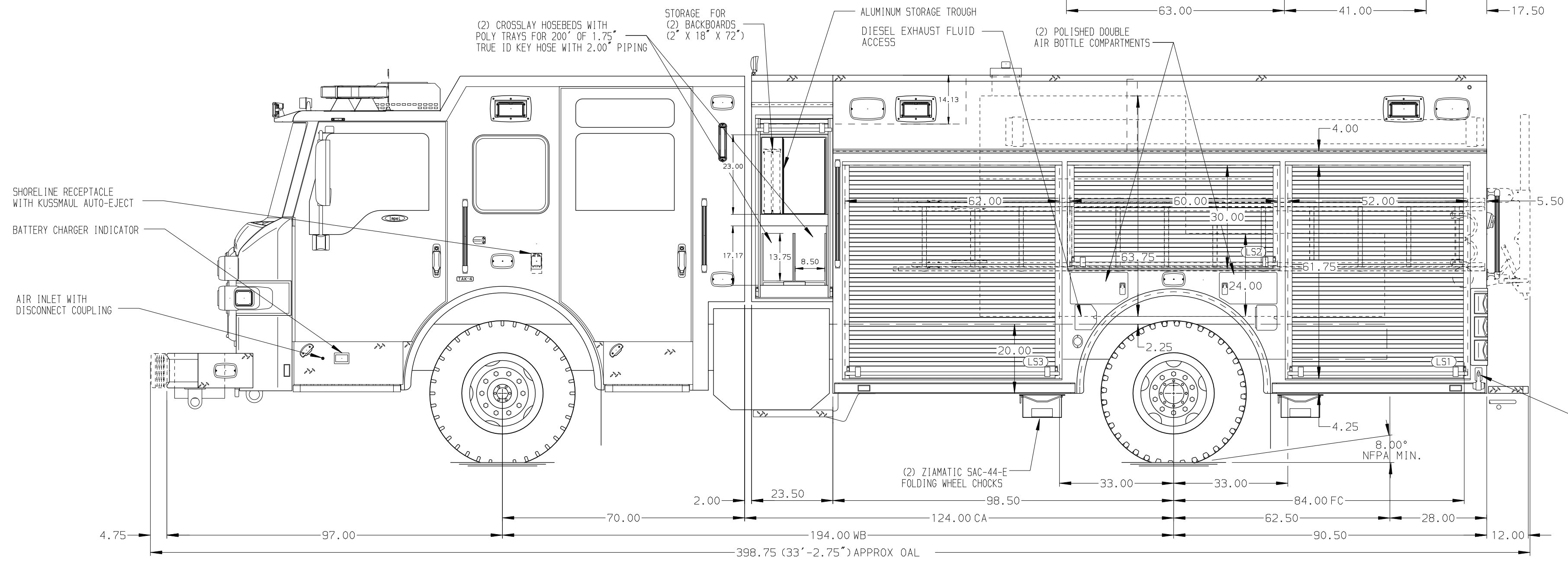


- HOSEBED CAPACITIES
- ① 200' OF 2.50" D.J. POLY HOSE
  - ② 1000' OF 5.00" L.D. HOSE
  - ③ 700' OF 2.50" D.J. POLY HOSE
  - ④ WALKWAY



ALUMINUM BODY

1. KUSSMAUL BATTERY CHARGER LOCATED BEHIND DRIVER'S SEAT

NOTE  
DIMENSIONS SHOWN ARE APPROXIMATE AND ARE SUBJECT TO MINOR DEVIATIONS AS MAY OCCUR OR BE NECESSARY IN CONSTRUCTION. MINOR DETAILS NOT SHOWN.

CUSTOMER APPROVAL

APPROVED BY: \_\_\_\_\_

DATE: \_\_\_\_\_



JOB NO.	37953
SCALE	DATE
1:24	
DRAWN BY	12DEC22
BTH	
CHECKED BY	-
JJR	
SHEET SIZE	SHEET NO.
D	1 OF 2

CHASSIS DATA	TITLE	2000-D-780P, 750G WATER-30G FOAM, 189" PUC RESCUE
PIERCE	FOR	(2) CROSSLAYS, LADDERS THRU BODY, DELUGE
MODEL	FOR	SEMINOLE COUNTY FIRE DEPARTMENT
IMPEL	DWG NO.	SANFORD, FLORIDA
		37953AD-SH1