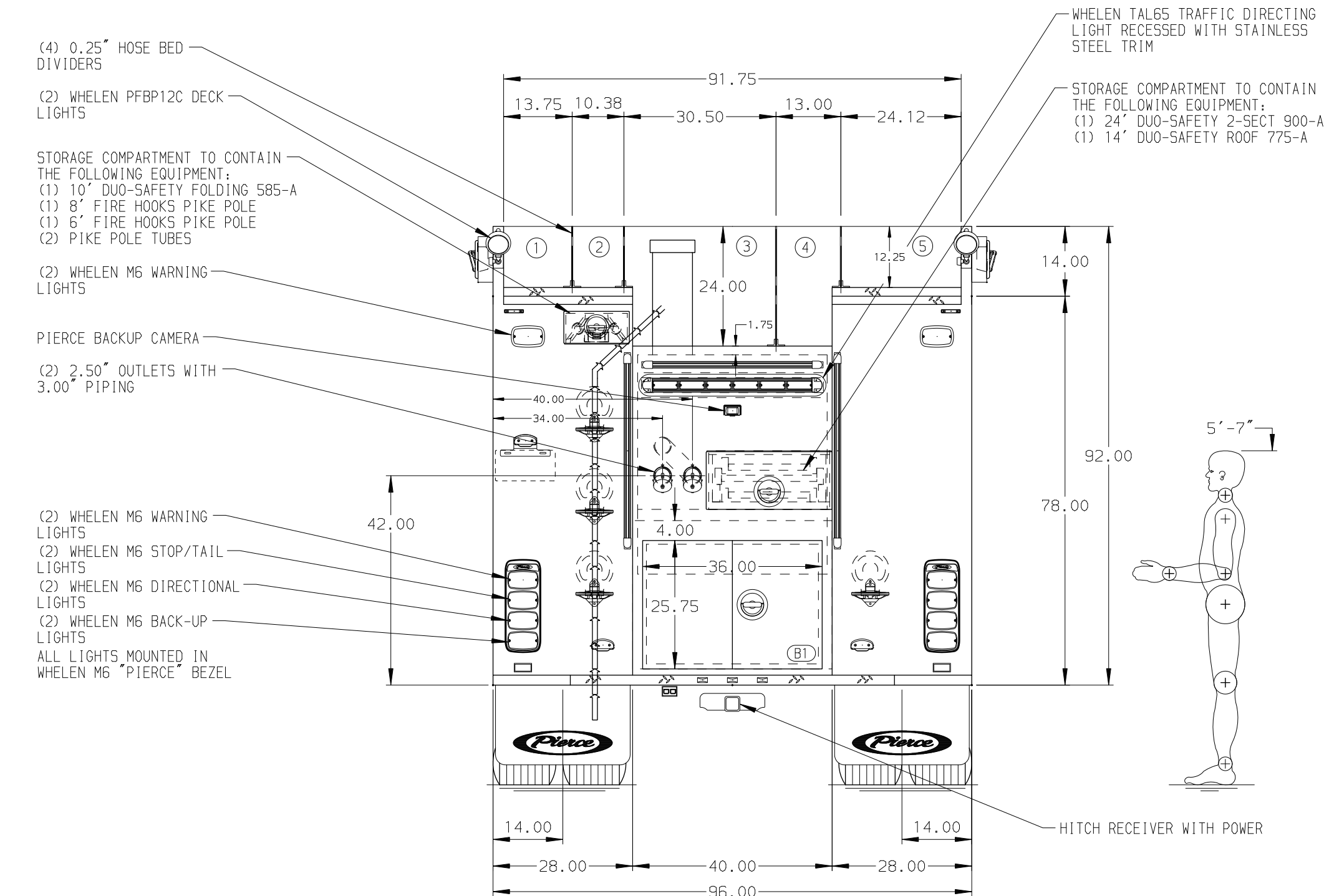
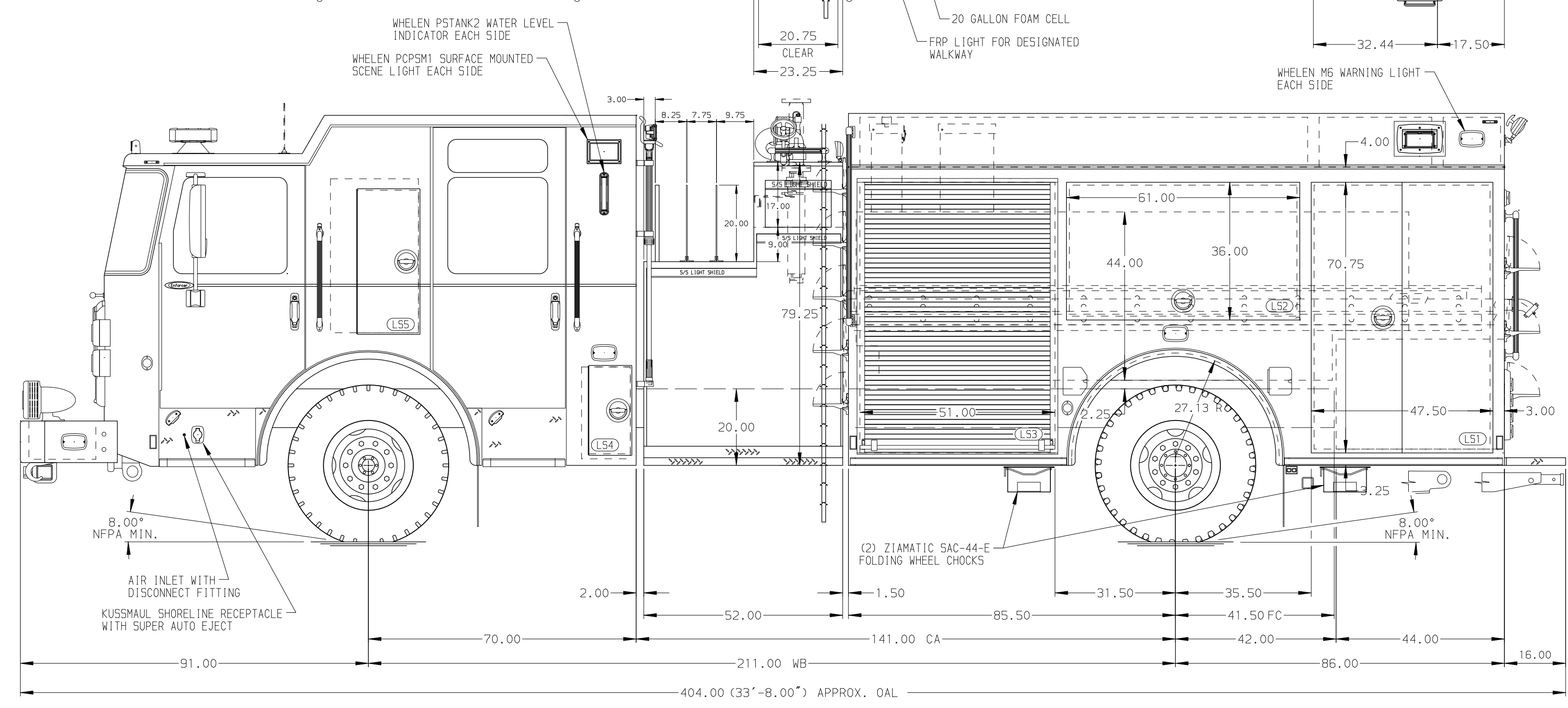


- HOSEBED CAPACITIES**
- ① 500' OF 2.50" D.J. POLY HOSE
 - ② 500' OF 1.75" D.J. POLY HOSE
 - ③ 1200' OF 5.00" D.J. POLY HOSE
 - ④ 600' OF 3.00" D.J. POLY HOSE
 - ⑤ 600' OF 3.00" D.J. POLY HOSE
- SURFACE DESIGNATION AND PATHWAY MARKINGS**



ALUMINUM BODY MAXIMUM O.A.H. 122.00" MAXIMUM O.A.L. 408.00" SIDE ROLL AND FRONTAL IMPACT PROTECTION

NOTE
DIMENSIONS SHOWN ARE APPROXIMATE AND ARE SUBJECT TO MINOR DEVIATIONS AS MAY OCCUR OR BE NECESSARY IN CONSTRUCTION. MINOR DETAILS NOT SHOWN.

1. ELKHART EDUCATOR FOAM SYSTEM
2. ONSPOT AUTOMATIC TIRE CHAINS TO BE PROVIDED AT REAR
3. AIR OUTLET WITH SHUT OFF VALVE LOCATED AT PUMP PANEL PER ORDER
4. BATTERY CHARGER LOCATED PER ORDER
5. BATTERY CHARGER INDICATOR LOCATED PER ORDER
6. FIVE FULL WIDTH/DEPTH ADJUSTABLE SHELVES WITH SIDES LOCATED PER ORDER
7. TWO FULL WIDTH/DEPTH SLIDE-OUT ADJUSTABLE TRAYS WITH SIDES LOCATED PER ORDER
8. TWO ADJUSTABLE TILT/SLIDE-OUT TRAYS LOCATED PER ORDER
9. ONE FLOOR MOUNTED FULL WIDTH/DEPTH SLIDE-OUT TRAY WITH SIDES LOCATED PER ORDER
10. ONE SLIDE-OUT TOOLBOARD WITH PEGBOARD PATTERN MOUNTED ON SLIDES LOCATED PER ORDER
11. TWO PARTITIONS LOCATED PER ORDER
12. ONE VERTICAL PARTITION LOCATED PER ORDER
13. ONE ELECTRIC CERAMIC HEATER LOCATED PER ORDER
14. TWO 120V SIX PLACE RECEPTACLE STRIPS LOCATED IN THE CAB PER ORDER
15. TWO 120V SIX PLACE RECEPTACLE STRIPS LOCATED IN REAR BODY COMPARTMENT PER ORDER
16. ONE FLOOR MOUNTED HYDRAULIC TOOL TURNTABLE LOCATED PER ORDER

CUSTOMER APPROVAL			
APPROVED BY:			
DATE:			
CHASSIS DATA	TITLE	1250-D-700P, 680 GAL WATER W/20 GAL FOAM CELL	
MAKE	FOR	171" PUMPER BODY, LADDERS THRU TANK, 52" SIDE CONTROL	
PIERCE		WEST HAVEN FIRE DEPARTMENT	
MODEL		WEST HAVEN, CONNECTICUT	
ENFORCER	DWG NO.	37972AD	
REV	DATE	BY	CH

Pierce MANUFACTURING INC.		JOB NO.	37972
SCALE	1:24	DATE	
DRAWN BY	BST	DATE	13DEC22
CHECKED BY	PHA	DATE	16DEC22
SHEET SIZE	D	SHEET NO.	1 OF 1