

(2) TRIPLE AIR BOTTLE COMPARTMENTS WITH STAINLESS STEEL DOORS

(1) ANTENNA MOUNT

(1) WELDON 9186-8580-29 L.E.D. DIRECTIONAL/MARKER LIGHT EACH SIDE

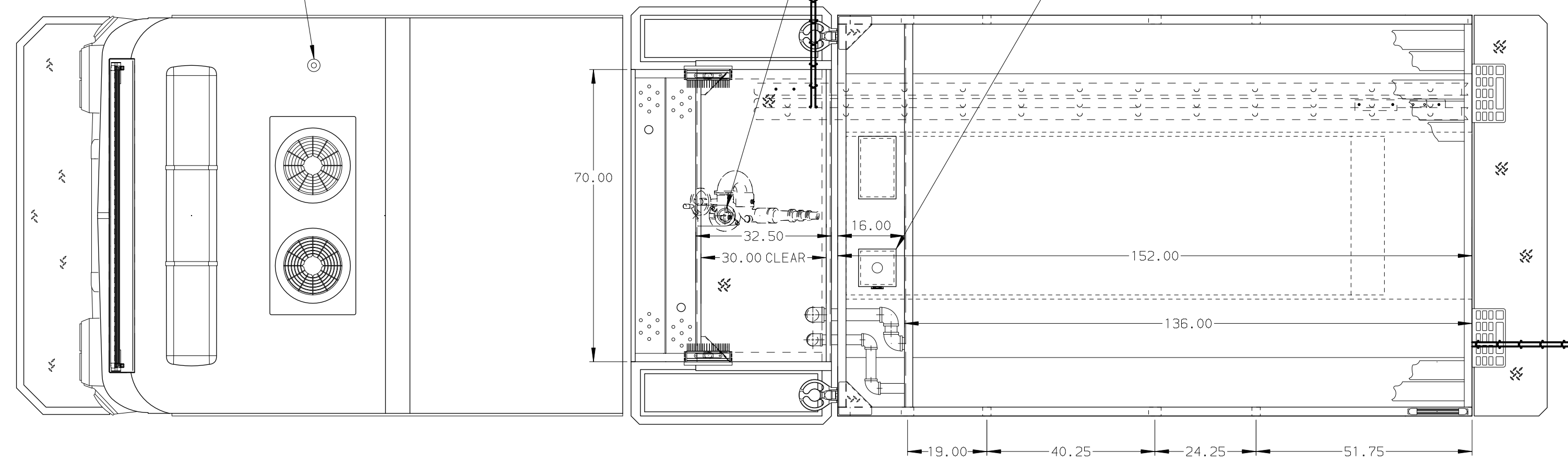
EXHAUST MODIFIED FOR EXTRACTION SYSTEM

3.00" DELUGE OUTLET WITH ELKHART STINGER 282-A (CTF)

PATHWAY MARKINGS

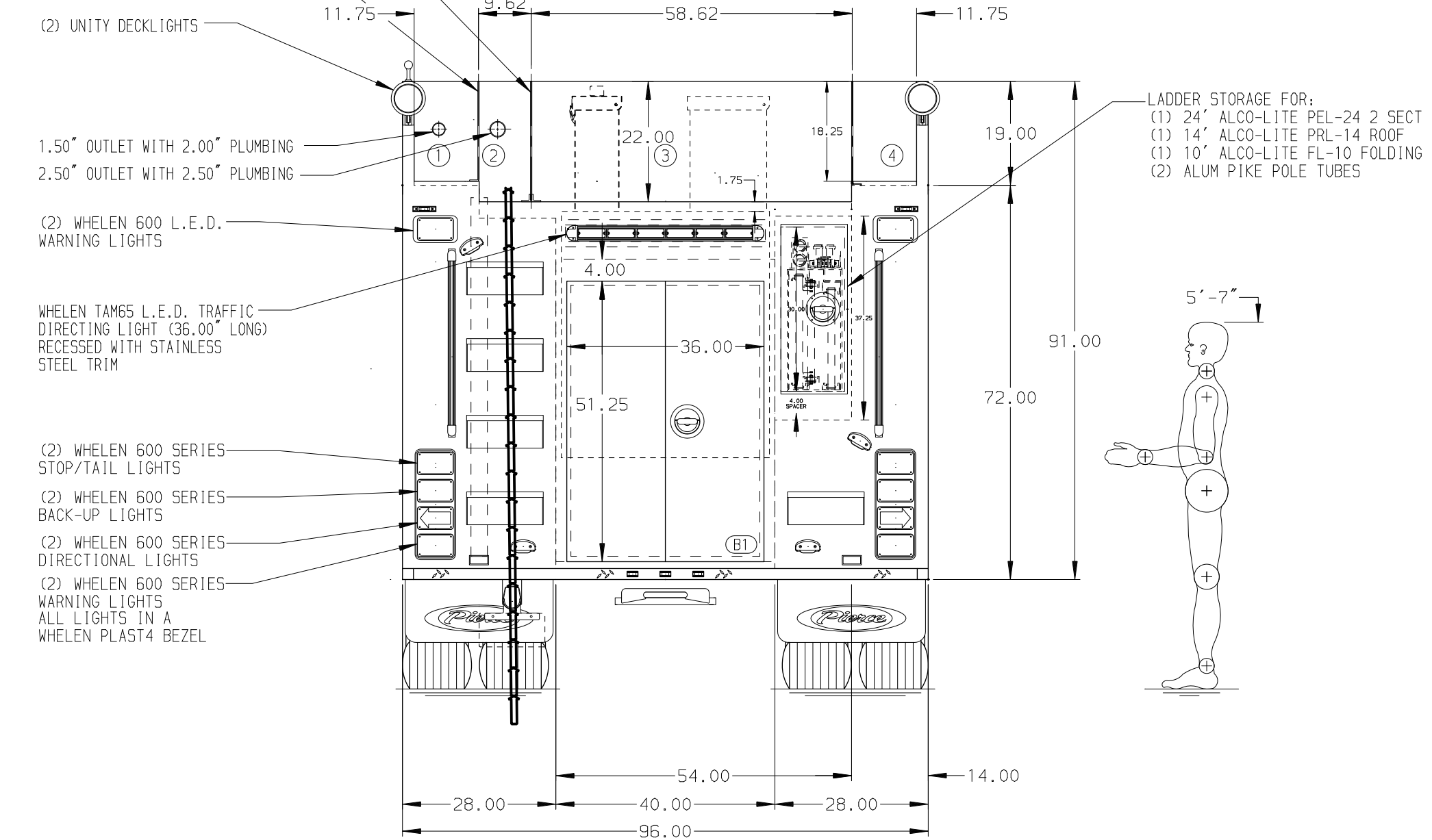
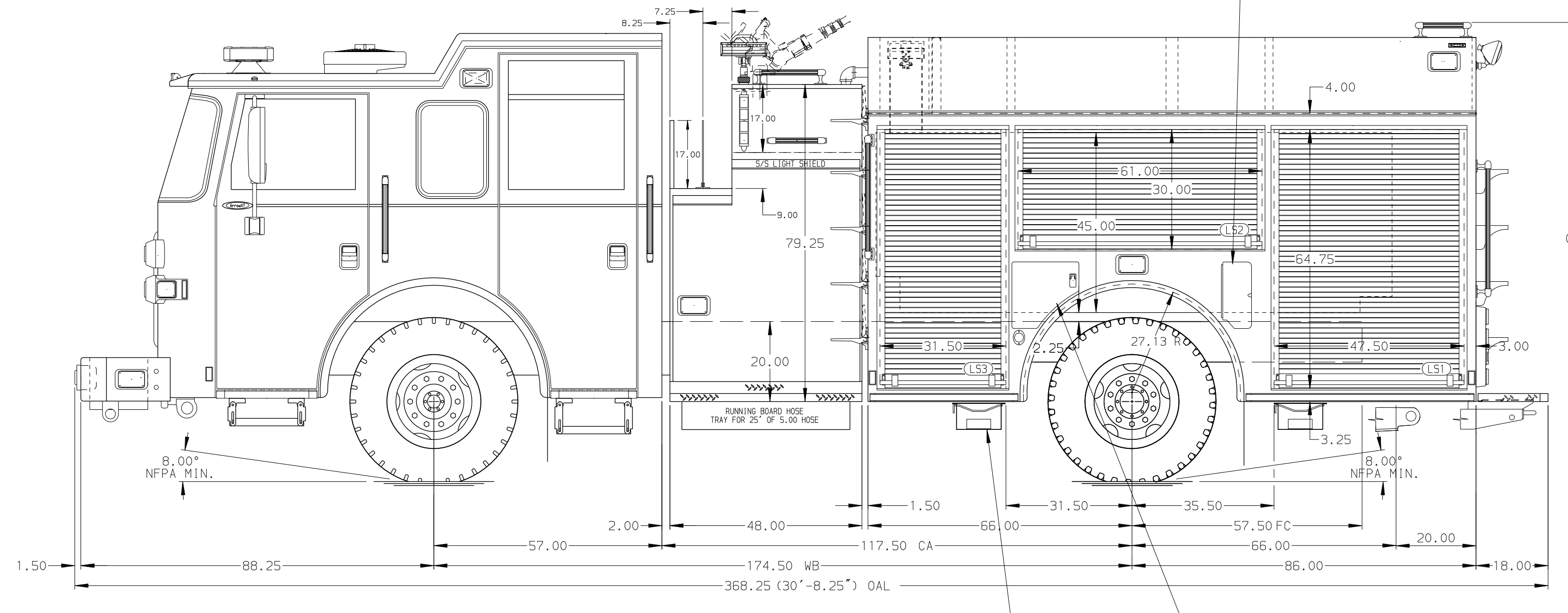
30 GALLON FOAM CELL

(3) WHELEN 600 L.E.D. WARNING LIGHTS EACH SIDE



- HOSEBED CAPACITIES
- ① 300' OF 1.75" D.J. POLY HOSE
 - ② 300' OF 2.50" D.J. POLY HOSE
 - ③ 1000' OF 5.00" D.J. POLY HOSE
 - ④ 400' OF 2.50" D.J. POLY HOSE

- (1) 0.25" SINGLE SHEET HOSEBED DIVIDER
- (2) 0.25" PERMANENT HOSE BED DIVIDERS



ALUMINUM BODY

MAXIMUM O.A.H. 120.00"

NOTE
 DIMENSIONS SHOWN ARE APPROXIMATE AND ARE SUBJECT TO MINOR DEVIATIONS AS MAY OCCUR OR BE NECESSARY IN CONSTRUCTION. MINOR DETAILS NOT SHOWN.

- 1. AIR INLET WITH DISCONNECT COUPLING LOCATED FORWARD OF DS STEP WELL
- 2. BATTERY CHARGING RECEPTACLE LOCATED ON THE DRIVER SIDE PUMP PANEL
- 3. DRIP PAN GUARDS FOR ROLL-UP DOORS LOCATED PER ORDER
- 4. PULL STRAPS WITH SPECIAL LENGTH ON DOORS LOCATED PER ORDER
- 5. EIGHT FULL WIDTH/DEPTH ADJUSTABLE SHELVES LOCATED PER ORDER

REV	DATE	BY	CH	ARROW-XT
020CT23	KLE	JGO		CHASSIS DATA
04AUG23	JAM	JGO		MAKE PIERCE
11MAY23	KLE	PHA		MODEL

TITLE	1500-D-780P, 750G WATER, 30G FOAM, 152" PUMPER BODY (2)CROSSLAYS, R5 BODY LADDER STORAGE, DELUGE
FOR	GREENVILLE CITY FIRE DEPARTMENT GREENVILLE, SOUTH CAROLINA
DWG NO.	37975AD

JOB NO.	37975
SCALE	1:24
DATE	
DRAWN BY	KLE
CHECKED BY	PHA
SHEET SIZE	D
SHEET NO.	1 OF 1