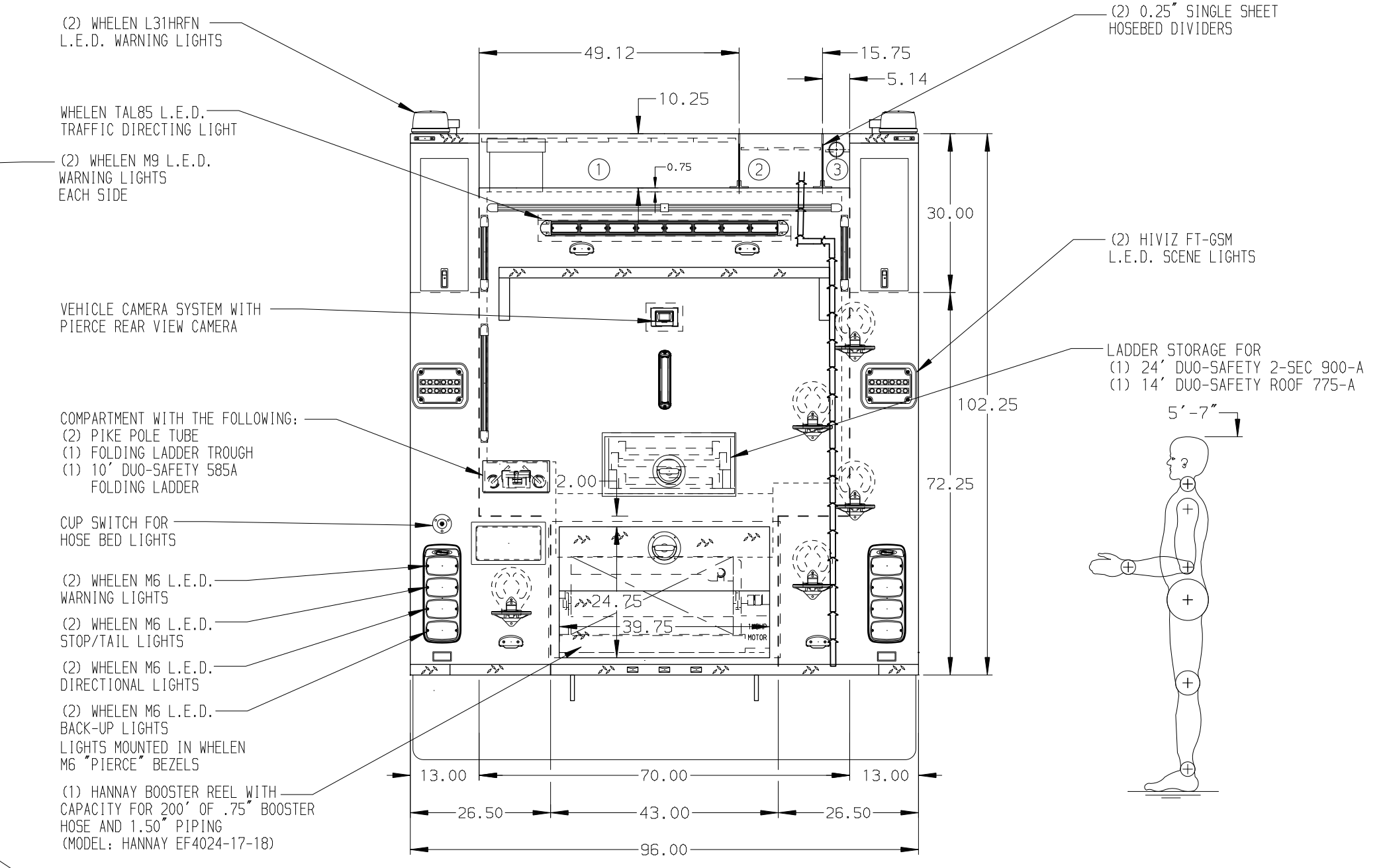
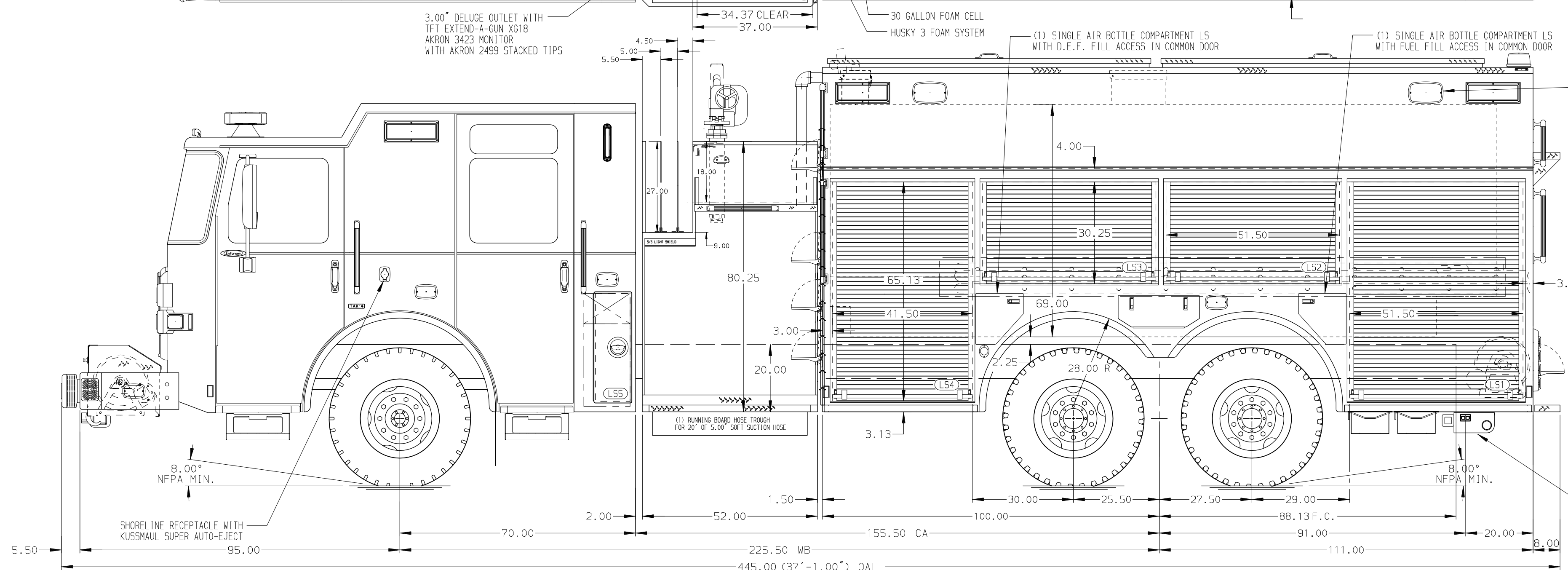


HOSEBED CAPACITIES

① - 1000' OF 5.00" D.J. POLY HOSE

② - 800' OF 3.00" MERCEDES HOSE

③ - 250' OF 2.50" MERCEDES HOSE



ALUMINUM BODY MAXIMUM O.A.L. 452.00" MAXIMUM O.A.H. 129.00" SIDE ROLL AND FRONTAL IMPACT PROTECTION

NOTE
 DIMENSIONS SHOWN ARE APPROXIMATE AND ARE SUBJECT TO MINOR DEVIATIONS AS MAY OCCUR OR BE NECESSARY IN CONSTRUCTION. MINOR DETAILS NOT SHOWN.

1. KUSSMAUL BATTERY CHARGER/AIR COMPRESSOR LOCATED PER SHOP ORDER
2. BATTERY CHARGER INDICATOR LOCATED ON DRIVER'S SEAT RISER
3. DUAL L.E.D. LIGHT STRIPS LOCATED IN HOSE BED
4. SIX ADJUSTABLE FULL WIDTH/DEPTH SHELVES WITH SPECIAL SIDE HEIGHTS LOCATED PER SHOP ORDER
5. TWO FLOOR MOUNTED SLIDE-OUT TRAYS LOCATED PER SHOP ORDER
6. ONE SWING-OUT TOOL BOARD WITH PEGBOARD PATTERN LOCATED PER SHOP ORDER
7. THREE PAC TRACS ON THE WALLS OF COMPARTMENTS PER SHOP ORDER
8. CIRCUIT BREAKER PANEL LOCATED PER SHOP ORDER
9. FIVE 120V DUPLEX RECEPTACLES LOCATED PER SHOP ORDER
10. MOUNTING PROVISIONS FOR FUTURE HYDRAULIC REEL INSTALLATION LOCATED PER SHOP ORDER

REV	DATE	BY	CH	ENFORCER
08MAR24	JJB	PHA		CHASSIS DATA
29NOV23	JJB	NPE		MAKE
18SEP23	JJB	NPE		PIERCE
21JUN23	JJB	NPE		MODEL
03MAR23	JWO	EGO		

		JOB NO.	37978
		SCALE	DATE
TITLE	1500-D-3030P, 3000G WATER, 30G FOAM, 211" TANKER BODY LADDERS THRU TANK, (3) CROSSLAYS, GENERATOR, DELUGE	DRAWN BY	JWO
FOR	SOUTH BOWERS VOLUNTEER FIRE COMPANY MILFORD, DELAWARE	CHECKED BY	EGO
DWG NO.	37978AD	SHEET SIZE	D
		SHEET NO.	1 OF 1