

# Pumper, PUC

## BODY

Pumper, PUC, Aluminum

## CHASSIS

Enforcer Chassis, PUC

## CHASSIS

### AXLE, FRONT, CUSTOM

20,000 Lb Dana Axle

### AXLE, REAR

27,000 Lb Dana Axle

## ENGINE

450 HP Cummins L9 Engine

## TRANSMISSION

Allison 6th Gen, 3000 EVS P

## BUMPER

22" Extended Stainless Steel

## CAB

7010 Enforcer Cab, PUC

## BODY

### WATER TANK

750 Gallon Poly Water Tank

### COMPT, PUMPER, REAR

33.50" FF RollUp Rear Compt w/Tailboard, PUC

### COMPT, PUMPER, LEFT SIDE

189" RollUp Full Height & Depth Front & Rear, PUC

### COMPT, PUMPER, RIGHT SIDE

189" RollUp Full Height & Depth Front & Rear, PUC

## FIRE SUPPRESSION

### PUMPHOUSE

Control Zone, PUC

### PUMP

1500 GPM Pierce PUC

### CROSSLAYS, 1.50"

(2) 1.50", Poly Trays, 200"

### CROSSLAYS, 2.50"

Not Required

## GENERATOR

Generator Not Required

## Foam System

Husky 3 Single Agent Foam System

## Foam Cell

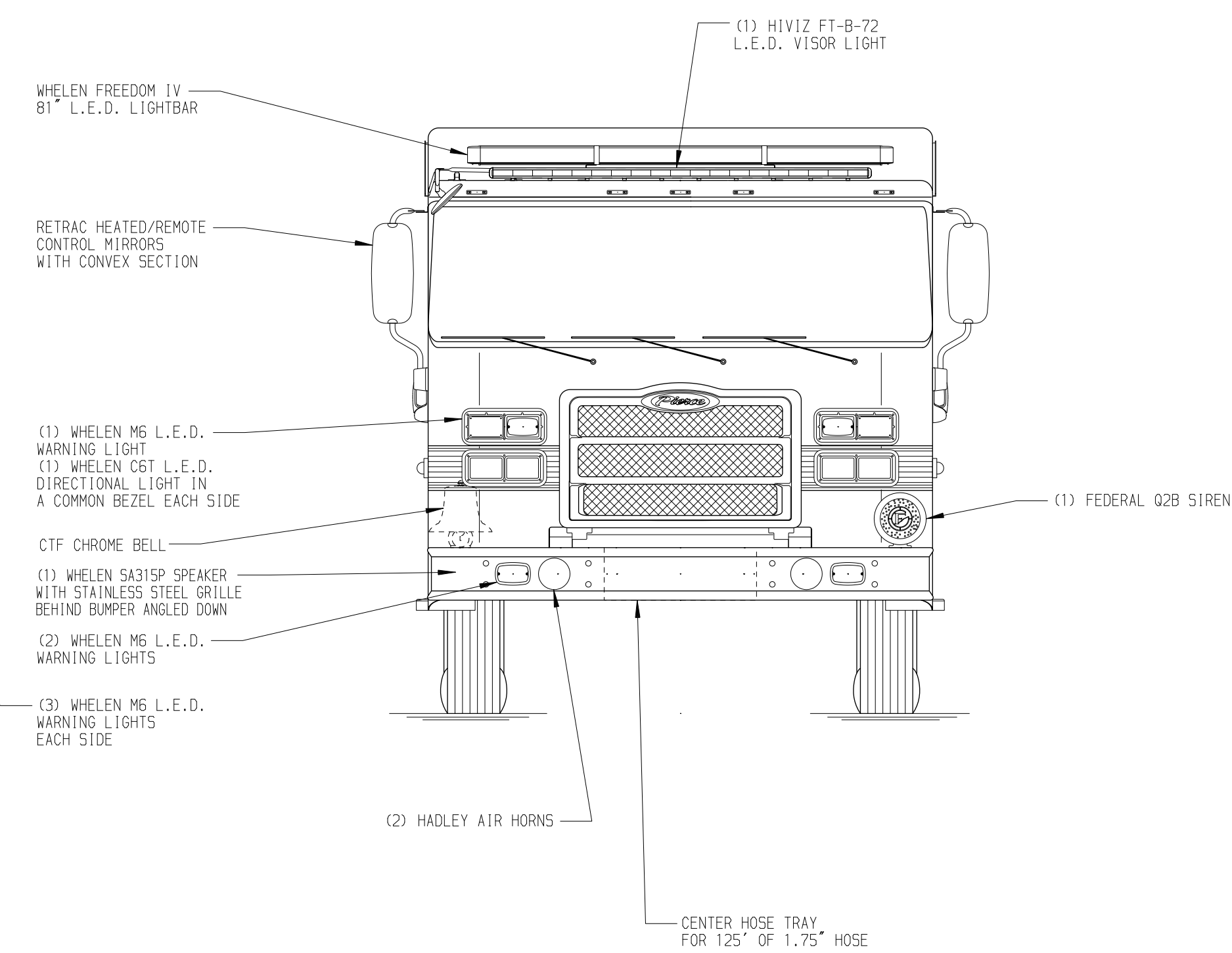
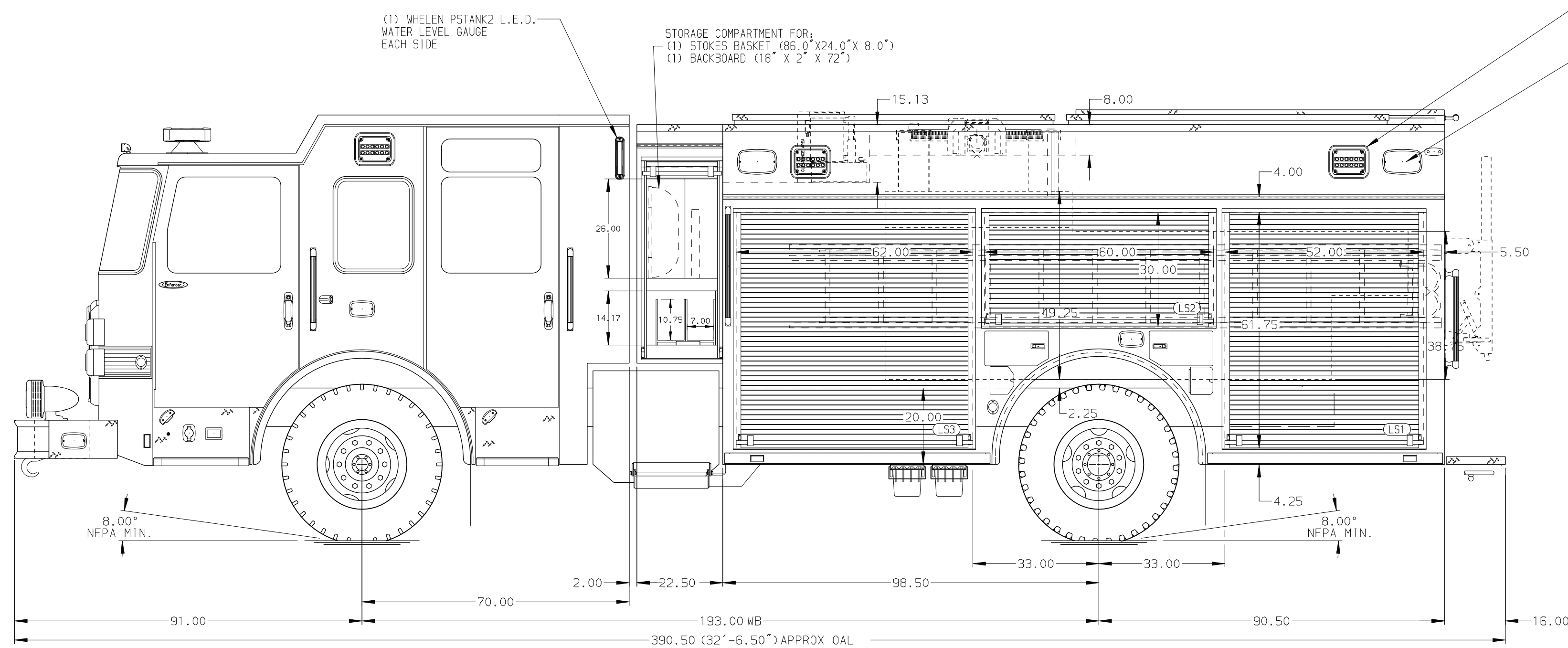
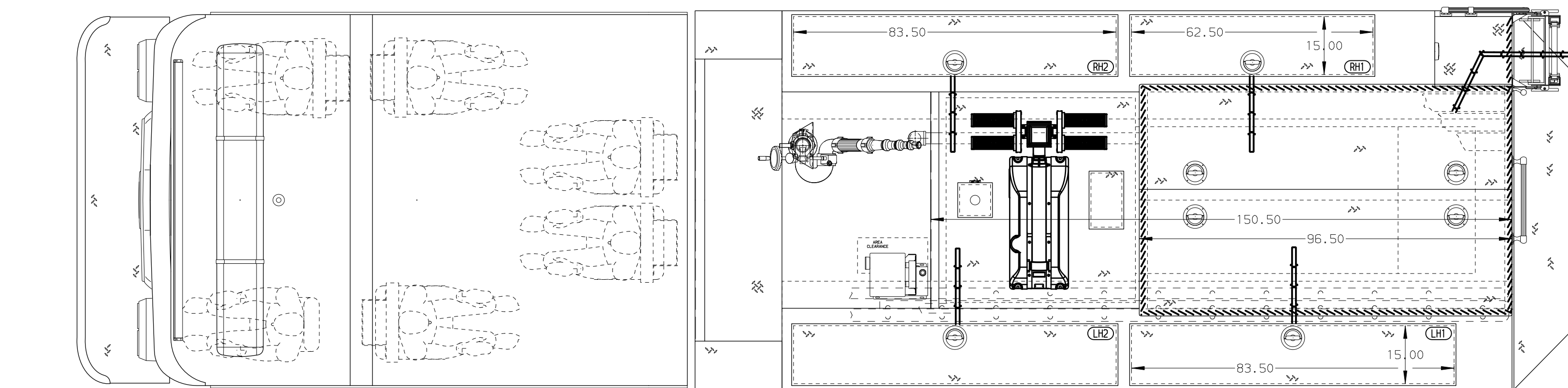
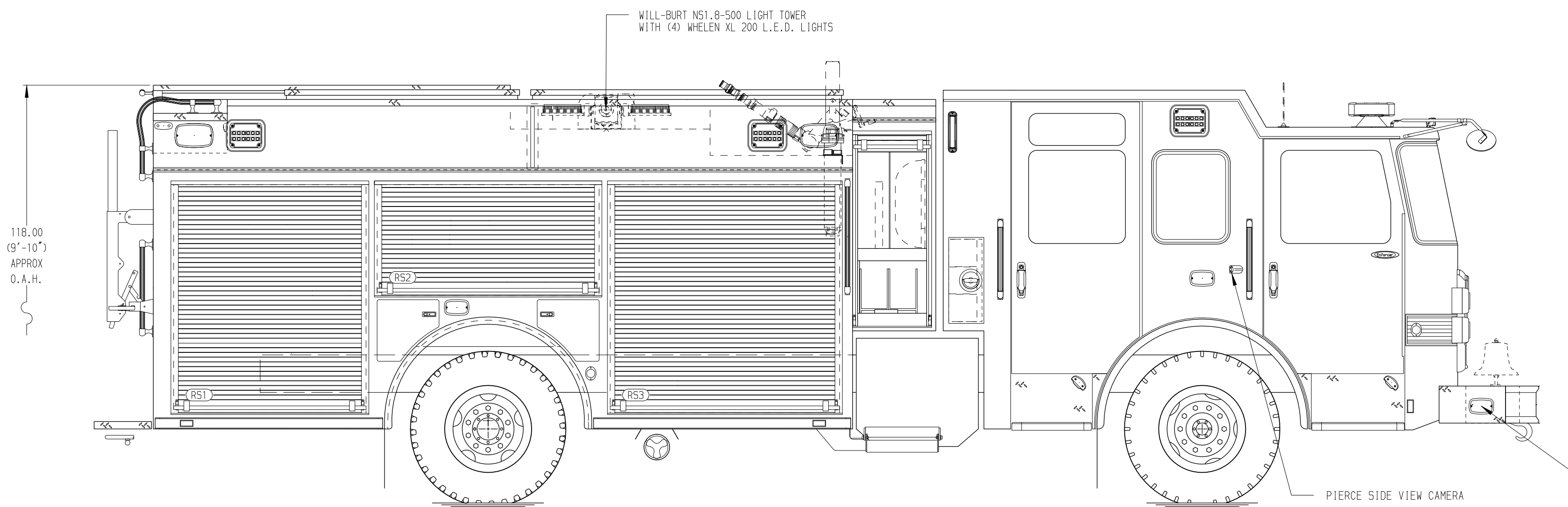
20 Gallon Foam Cell, Not Reduced Water, PUC

### NOTE

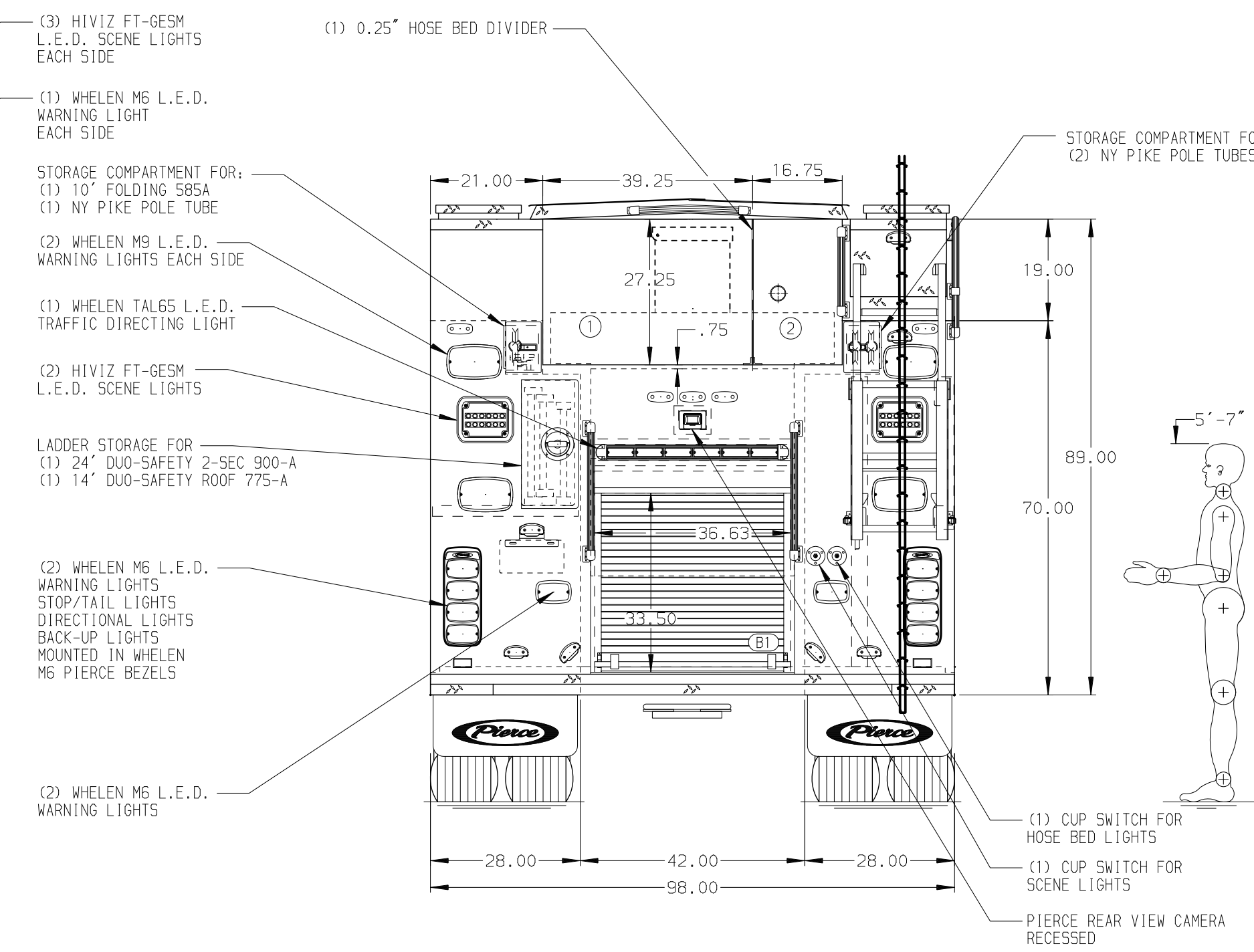
DIMENSIONS SHOWN ARE APPROXIMATE AND ARE SUBJECT TO MINOR DEVIATIONS AS MAY OCCUR OR BE NECESSARY IN CONSTRUCTION. MINOR DETAILS NOT SHOWN.

- ONE 1.50 OUTLET WITH 2.00 PIPING AND SWIVEL LOCATED IN CENTER BUMPER TRAY
- SHOULDER RECEPTACLE WITH KUSSMAUL SUPER AUTO-EJECT LOCATED DRIVER SIDE STEPWELL
- AIR INLET WITH DISCONNECT COUPLING IN THE DRIVER SIDE STEPWELL
- BATTERY CHARGER LOCATED IN COMPARTMENT PER SHIP ORDER
- VANNER INVERTER/ BATTERY CHARGER DRIVER SIDE STEPWELL
- AUTOMATIC TIRE CHAINS

MAXIMUM O.A.H. 118.00"      MAXIMUM O.A.L. 396.00"



HOSEBED CAPACITY	
BED 1	1500' OF 4.00" D.J. POLY HOSE
BED 2	300' OF 3.00" D.J. POLY HOSE



<b>Pierce MANUFACTURING INC.</b>		JOB NO.	37981
		SCALE	DATE
		DRAWN BY	08AUG22
		CHECKED BY	09AUG22
		SHEET SIZE	SHEET NO.
		D	1 OF 2

CHASSIS DATA	TITLE	Pierce PUC Pumper Approval Drawing
MAKE	FOR	Sewickley Township
PIERCE	DWG NO.	37981AD-SH1
MODEL		
ENFORCER		

22SEP22	MMF	COS
REV	DATE	BY
		CH