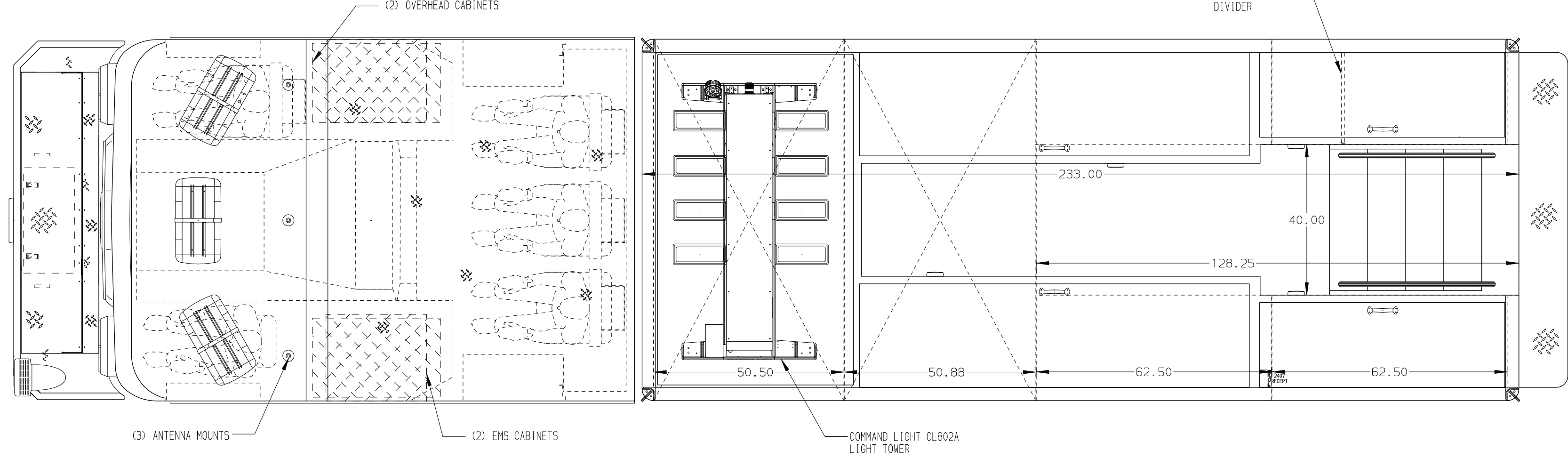
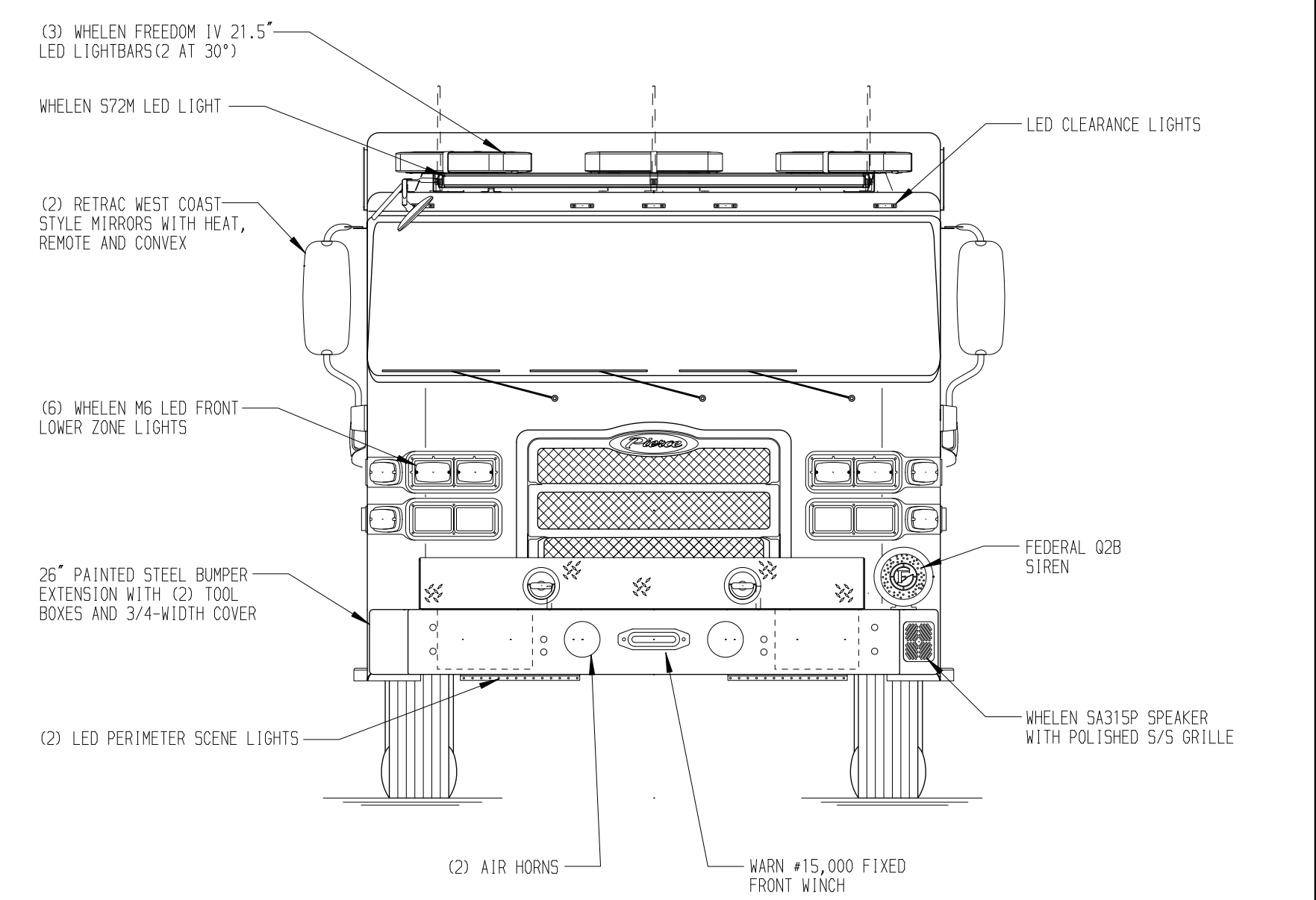
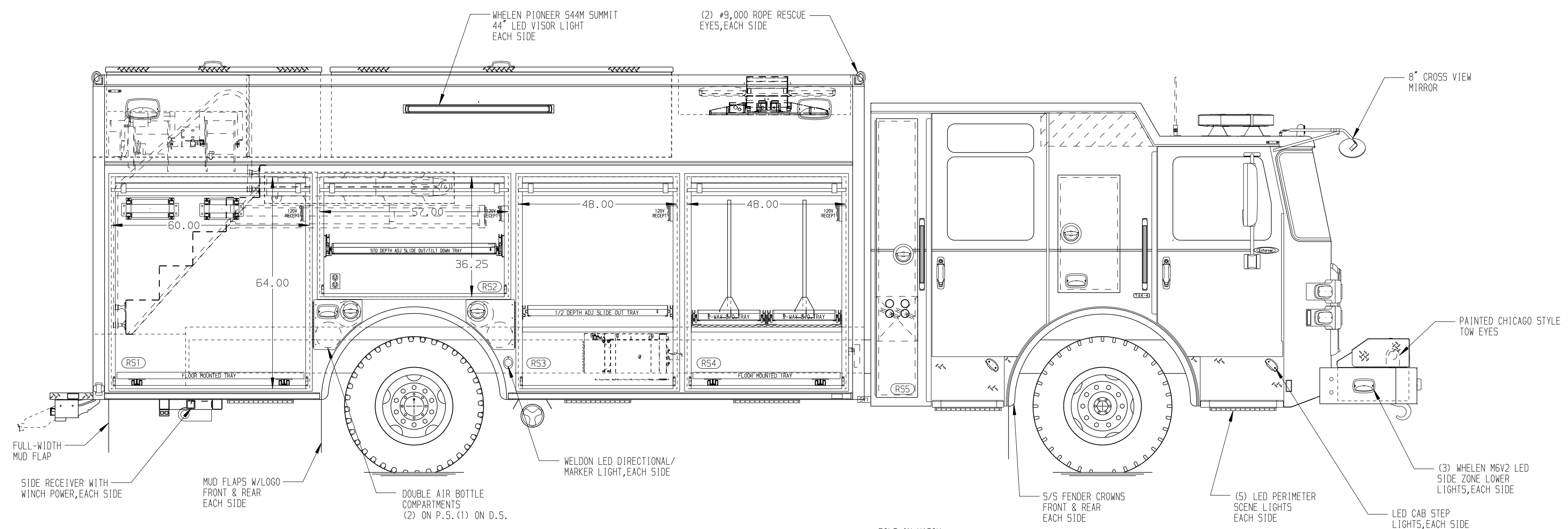
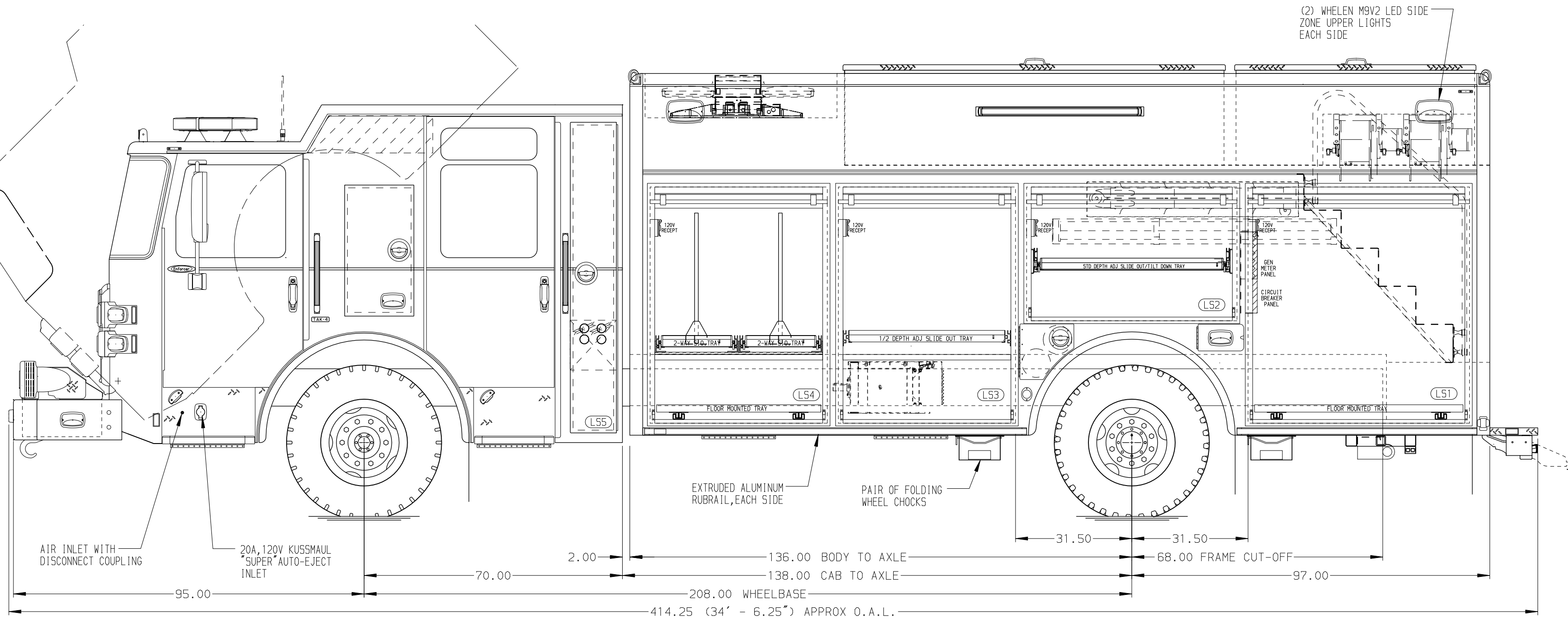


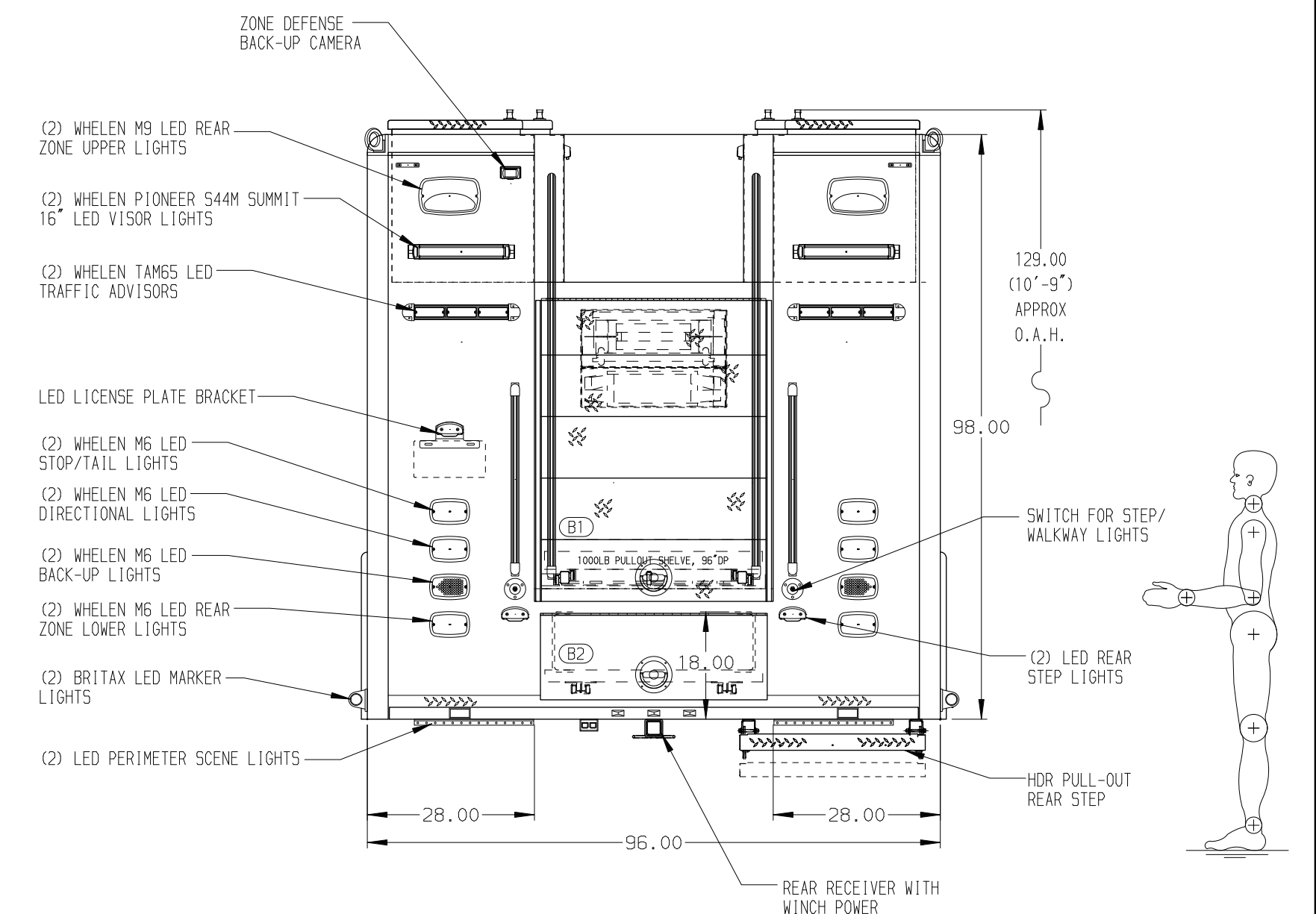
- RIGHT SIDE COMPARTMENTS CONTAIN THE FOLLOWING:**
- COMPARTMENT RS1 CONTAINS:
 - (1) FLOOR MOUNTED TRAY
 - (1) ELECTRIC CORD REEL WITH 200' OF 10/3 YELLOW CORD
 - (1) 15A, 120V 6-PLACE RECEPTACLE
 - (1) TOOL AIR REEL W/100' OF 0.5" HOSE
 - COMPARTMENT RS2 CONTAINS:
 - (1) STD DEPTH ADJ SLIDE OUT/TILT TRAY
 - (1) 15A, 120V 6-PLACE RECEPTACLE
 - (1) 15/20A, 120V DUPLEX RECEPTACLE
 - COMPARTMENT RS3 CONTAINS:
 - (1) HORIZONTAL FLOOR EXTENSION
 - (1) 15A, 120V 6-PLACE RECEPTACLE
 - COMPARTMENT RS4 CONTAINS:
 - (1) CAB LIFT CONTROL
 - (1) HORIZONTAL FLOOR EXTENSION
 - (1) 1/2 DEPTH ADJ SLIDE OUT TRAY
 - (2) 2-WAY FLOOR MTD SLIDE OUT TRAYS WITH TOOLBOARDS
 - (1) FLOOR MOUNTED TRAY
 - (1) 15A, 120V 6-PLACE RECEPTACLE
 - COMPARTMENT RS5 CONTAINS:
 - (2) PIKE POLES



- REAR COMPARTMENT CONTAINS THE FOLLOWING:**
- COMPARTMENT B1 CONTAINS:
 - (1) 96" SLIDEMASTER SLIDE OUT TRAY
 - (1) RACK FOR THE FOLLOWING:
 - (1) LOUISVILLE STEP LADDER
 - (1) LITTLE GIANT LADDER
 - COMPARTMENT B2 CONTAINS:
 - (1) FLOOR MOUNTED TRAY



- LEFT SIDE COMPARTMENTS CONTAIN THE FOLLOWING:**
- COMPARTMENT LS1 CONTAINS:
 - (1) FLOOR MOUNTED TRAY
 - (1) CIRCUIT BREAKER PANEL
 - (1) GENERATOR METER PANEL
 - (1) SUB FEED BOX
 - (1) 15A, 120V 6-PLACE RECEPTACLE
 - MOUNTING PROVISIONS FOR 2 HYD REELS
 - COMPARTMENT LS2 CONTAINS:
 - (1) STD DEPTH ADJ SLIDE OUT/TILT TRAY
 - (1) 15A, 120V 6-PLACE RECEPTACLE
 - COMPARTMENT LS3 CONTAINS:
 - (1) HORIZONTAL FLOOR EXTENSION
 - (1) 1/2 DEPTH ADJ SLIDE OUT TRAY
 - (1) 15A, 120V 6-PLACE RECEPTACLE
 - COMPARTMENT LS4 CONTAINS:
 - (1) HORIZONTAL FLOOR EXTENSION
 - (2) 2-WAY FLOOR MTD SLIDE OUT TRAYS WITH TOOLBOARDS
 - (1) FLOOR MOUNTED TRAY
 - (1) COMMAND LIGHT CONTROLLER
 - (1) 15A, 120V 6-PLACE RECEPTACLE
 - COMPARTMENT LS5 CONTAINS:
 - (2) PIKE POLES



NOTE
DIMENSIONS SHOWN ARE APPROXIMATE AND ARE SUBJECT TO MINOR DEVIATIONS AS MAY OCCUR OR BE NECESSARY IN CONSTRUCTION. MINOR DETAILS NOT SHOWN.

- NOTES:**
- ONAN 15kW SINGLE PHASE PTO DRIVEN GENERATOR LOCATED BETWEEN THE FRAME RAILS
 - ONSPOT AUTOMATIC TIRE CHAINS
 - POLISHED S/S SCUFFPLATES ON CAB AND CREW CAB DOOR RAMBS
 - ALUMINUM TREADPLATE ON CREW CAB ROOF
 - FLOOR IN CAB AND CREW CAB TO BE PADDED RUBBER
 - KUSSMAUL 1200 CHARGER LOCATED BEHIND DRIVER'S SEAT
 - BATTERY CHARGE INDICATOR LOCATED ON DRIVER'S SEAT REAR
 - S/S GUARDS ON ALL BODY ROLL-UP DOORS
 - PIERCE LED LIGHTS IN ALL BODY AND HATCH COMPARTMENTS
 - DRI-DECK MATTING ON ALL COMPARTMENT SHELVES AND TRAYS
 - DRI-DECK MATTING ON COMPARTMENT FLOORS IN LS2, LS3, LS4, RS2 AND RS3
 - 15/20A, 120V DUPLEX RECEPTACLE LOCATED IN OVERHEAD CABINETS IN CREW CAB

SIDE ROLL AND FRONTAL IMPACT PROTECTION

CUSTOMER APPROVAL
APPROVED BY: _____
DATE: _____

Pierce MANUFACTURING INC.

JOB NO. 37983
SCALE 1:24
DATE _____

CLEAR DOOR WIDTH KEY		CHASSIS DATA	TITLE	HEAVY DUTY RESCUE NON-WALKIN	DRAWN BY	DHE	DATE	170CT22
AMDR ROLL UP DOORS:	-2 1/4"							
PIERCE DOUBLE LAP DOORS:	-4 1/4"	PIERCE	MODEL	BID #1498	MACHINOLL, JOHN	SHEET SIZE	SHEET NO.	1 OF 1
PIERCE LIFT-UP LAP DOORS:	-1 1/2"	REV	DATE	BY	CH	DWG NO.	37983AD	
(EX: 60" F-F = 2 1/4" = 57 3/4" CLEAR) (F-F) = FRAME TO FRAME		EN7010						