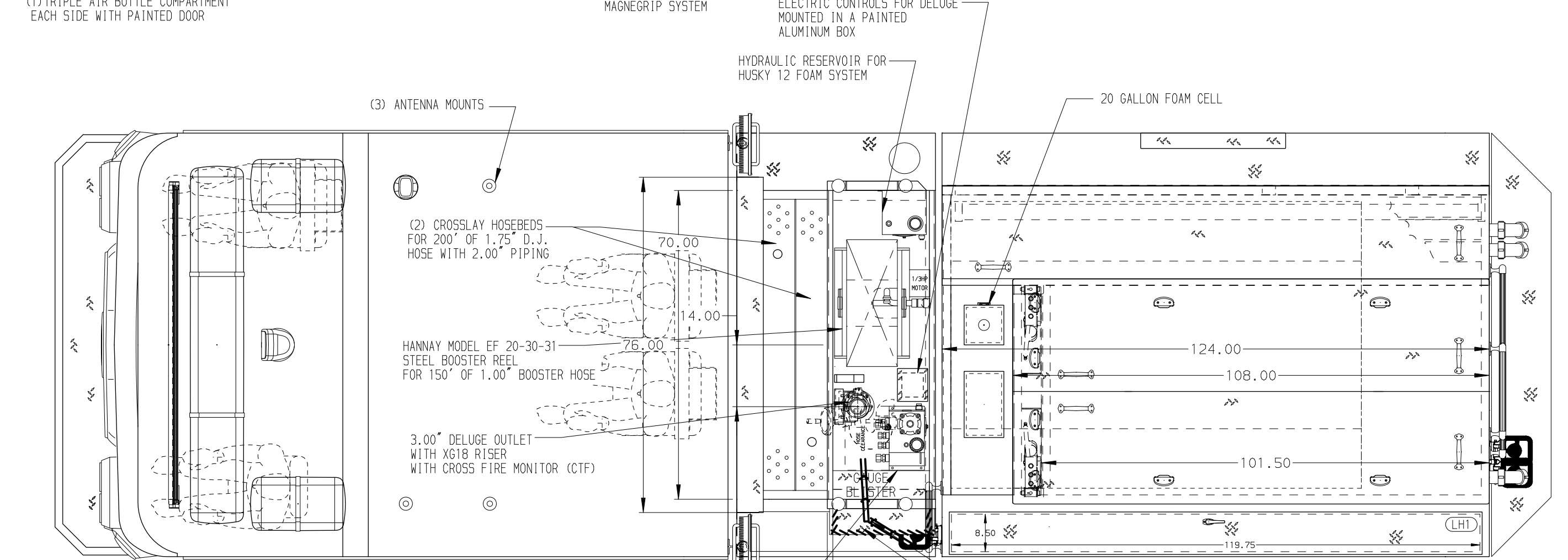
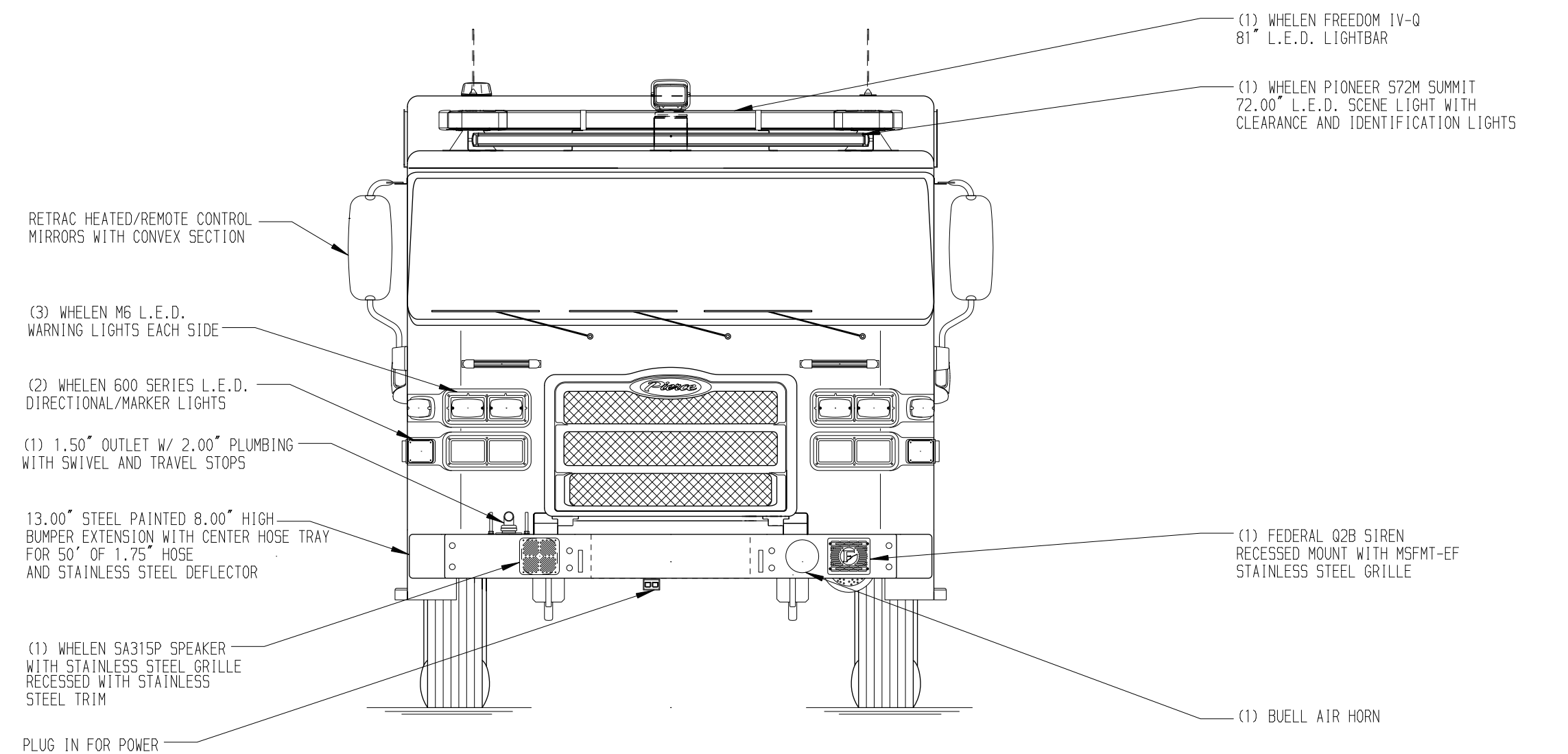
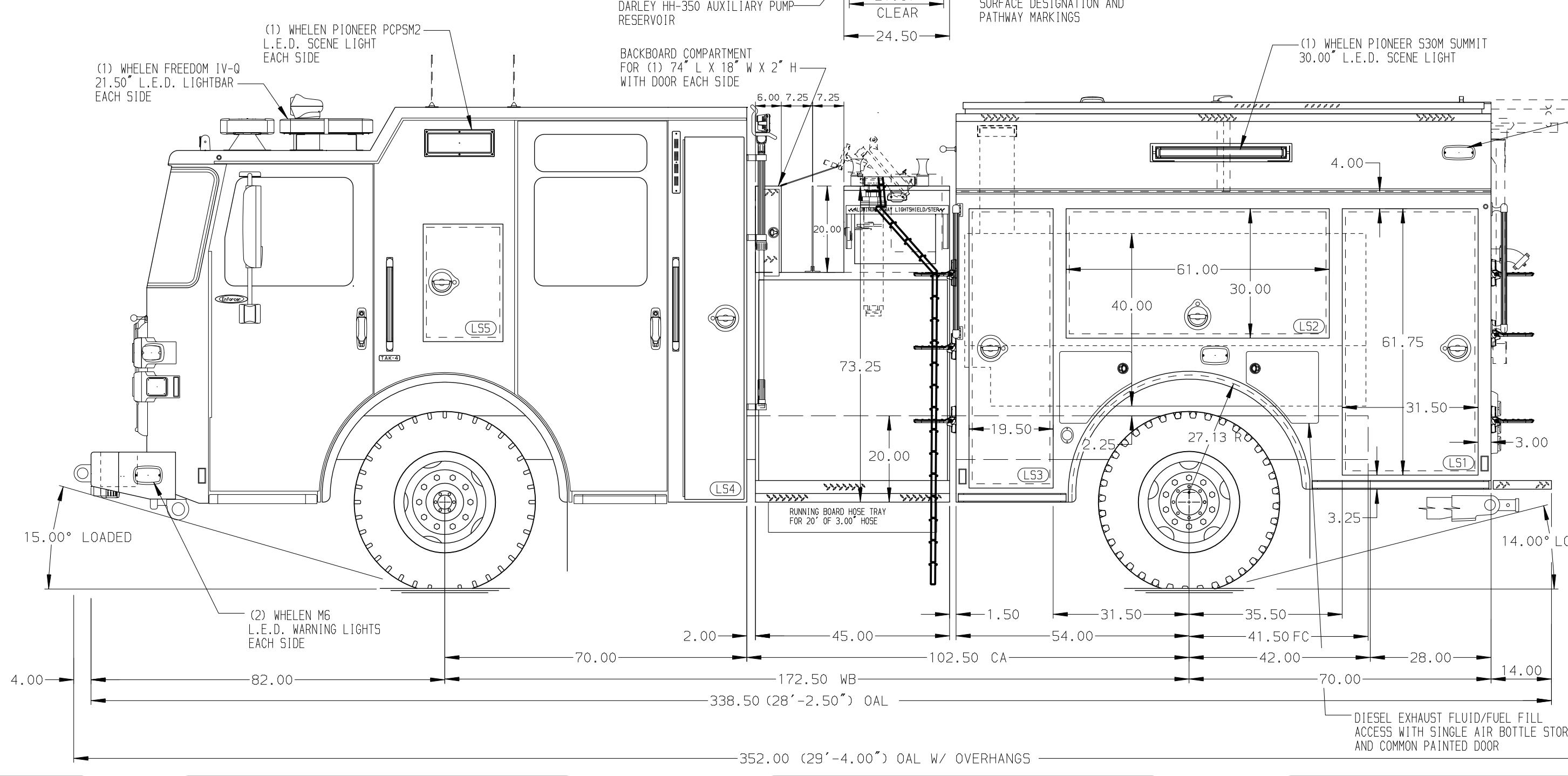


119.00  
(9'-11")  
APPROX  
O.A.H.

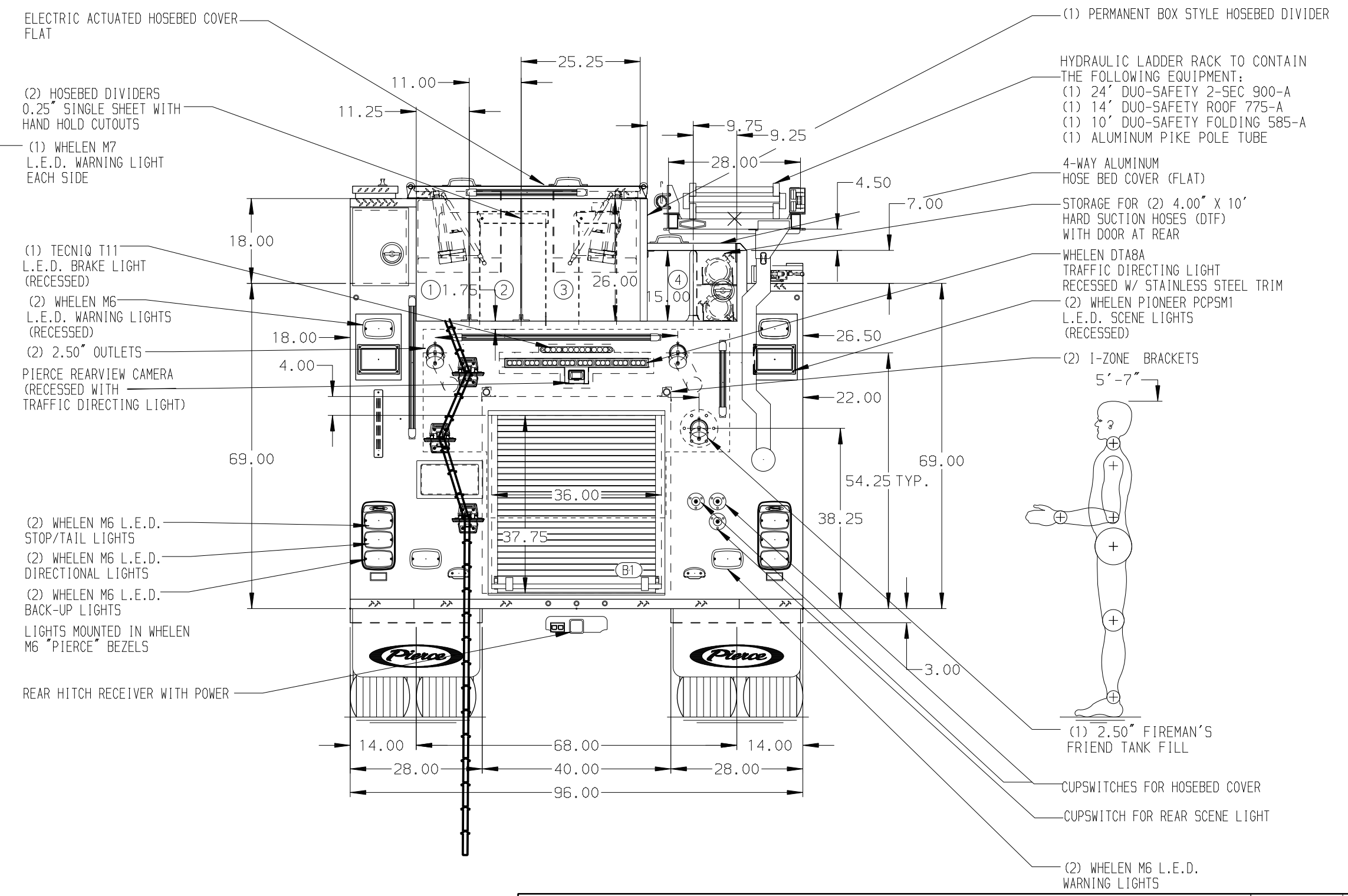


- HOSEBED CAPACITIES**
- ① TWO BUNDLES OF 100' OF 1.75" D.J. POLY HOSE
  - ② 500' OF 2.50" D.J. POLY HOSE
  - ③ 900' OF 3.00" D.J. POLY HOSE
  - ④ 200' OF 2.50" D.J. POLY HOSE



- RETRAC HEATED/REMOTE CONTROL MIRRORS WITH CONVEX SECTION
- (3) WHELEN M6 L.E.D. WARNING LIGHTS EACH SIDE
- (2) WHELEN 600 SERIES L.E.D. DIRECTIONAL/MARKER LIGHTS
- (1) 1.50" OUTLET W/ 2.00" PLUMBING WITH SWIVEL AND TRAVEL STOPS
- 13.00" STEEL PAINTED 8.00" HIGH BUMPER EXTENSION WITH CENTER HOSE TRAY FOR 50' OF 1.75" HOSE AND STAINLESS STEEL DEFLECTOR
- (1) WHELEN SA315P SPEAKER WITH STAINLESS STEEL GRILLE RECESSED WITH STAINLESS STEEL TRIM
- PLUG IN FOR POWER

- (1) WHELEN FREEDOM 1V-Q 81" L.E.D. LIGHTBAR
- (1) WHELEN PIONEER 532M SUMMIT 72.00" L.E.D. SCENE LIGHT WITH CLEARANCE AND IDENTIFICATION LIGHTS
- (1) FEDERAL 02B SIREN RECESSED MOUNT WITH MSFMT-EF STAINLESS STEEL GRILLE
- (1) BUELL AIR HORN



- ELECTRIC ACTUATED HOSEBED COVER FLAT
- (2) HOSEBED DIVIDERS 0.25" SINGLE SHEET WITH HAND HOLD CUTOFFS
- (1) WHELEN M7 L.E.D. WARNING LIGHT EACH SIDE
- (1) TECNO T11 L.E.D. BRAKE LIGHT (RECESSED)
- (2) WHELEN M6 L.E.D. WARNING LIGHTS (RECESSED)
- (2) 2.50" OUTLETS
- PIERCE REARVIEW CAMERA (RECESSED WITH TRAFFIC DIRECTING LIGHT)
- (2) WHELEN M6 L.E.D. STOP/TAIL LIGHTS
- (2) WHELEN M6 L.E.D. DIRECTIONAL LIGHTS
- (2) WHELEN M6 L.E.D. BACK-UP LIGHTS
- LIGHTS MOUNTED IN WHELEN M6 "PIERCE" BEZELS
- REAR HITCH RECEIVER WITH POWER
- (1) PERMANENT BOX STYLE HOSEBED DIVIDER
- HYDRAULIC LADDER RACK TO CONTAIN THE FOLLOWING EQUIPMENT:
  - (1) 24" DUO-SAFETY 2-SEC 900-A
  - (1) 14" DUO-SAFETY ROOF 775-A
  - (1) 10" DUO-SAFETY FOLDING 585-A
  - (1) ALUMINUM PIKE POLE TUBE
- 4-WAY ALUMINUM HOSE BED COVER (FLAT)
- STORAGE FOR (2) 4.00" X 10' HARD SUCTION HOSES (DIF) WITH DOOR AT REAR
- WHELEN D78A TRAFFIC DIRECTING LIGHT RECESSED W/ STAINLESS STEEL TRIM
- (2) WHELEN PIONEER PPSH1 L.E.D. SCENE LIGHTS (RECESSED)
- (2) 1-ZONE BRACKETS 5'-7"
- (1) 2.50" FIREMAN'S FRIEND TANK FILL
- CUPSWITCHES FOR HOSEBED COVER
- CUPSWITCH FOR REAR SCENE LIGHT
- (2) WHELEN M6 L.E.D. WARNING LIGHTS

ALUMINUM BODY      MAXIMUM O.A.L. 342.50"      MAXIMUM O.A.H. 119.00"      SIDE ROLL & FRONTAL IMPACT PROTECTION

**NOTE**  
DIMENSIONS SHOWN ARE APPROXIMATE AND ARE SUBJECT TO MINOR DEVIATIONS AS MAY OCCUR OR BE NECESSARY IN CONSTRUCTION. MINOR DETAILS NOT SHOWN.

1. (2) WORDEN HW-50 SUPER GRIPPER WHEEL CHOCKS WITH (CTF) MOUNTING BRACKETS
2. AIR INLET/OUTLET WITH DISCONNECT FITTING ON THE DRIVER'S SIDE PUMP PANEL
3. AIR OUTLET WITH SHUT-OFF VALVE RECESSED IN A SMOOTH ALUMINUM BOX ON THE PASSENGER'S SIDE PUMP PANEL
4. BATTERY CHARGER LOCATED PER SHOP ORDER
5. BATTERY CHARGER INDICATOR LOCATED IN THE CAB PER SHOP ORDER
6. SHORELINE RECEPTACLE WITH KOSKRAUL SUPER AUTO-EJECT LOCATED ON DRIVER'S SIDE PUMP PANEL
7. KEVED LOCK FOR LATCH FOR EACH SIDE BODY COMPARTMENT
8. PULL STRAP ON DOOR IN L52 AND R52
9. REVERSED HINGED DOOR ON FOR L53 AND R53
10. ELEVEN FULL WIDTH/DEPTH ADJUSTABLE SHELVES LOCATED PER SHOP ORDER
11. TWO ADJUSTABLE SLIDE-OUT TRAYS LOCATED PER SHOP ORDER
12. ONE FLOOR MOUNTED SLIDE-OUT TRAY WITH SPECIAL SIDE HEIGHT LOCATED PER SHOP ORDER
13. ONE FLOOR MOUNTED SLIDE-OUT TRAY LOCATED PER SHOP ORDER
14. PARTITION BETWEEN L51/B1 AND R51/B1

REV	DATE	BY	CH	ENFORCER
04DEC23	LST	NPE		CHASSIS DATA
09OCT23	LST	NPE		MAKE
10AUG23	LST	NPE		PIERCE
31MAR23	LST	NPE		MODEL

		JOB NO.	38005
		SCALE	DATE
TITLE	1500-D-750P, 730G WATER W/20G FOAM, 124" BODY W/3"RR R5 HYDRAULIC LADDER RACK, (2) CROSSLAYS, DELUGE	DRAWN BY	LST
FOR	GRATON VOLUNTEER FIRE DEPARTMENT SEBASTOPOL, CALIFORNIA	CHECKED BY	NPE
DWG NO.	38005AD	SHEET SIZE	SHEET NO.
		D	1 OF 1