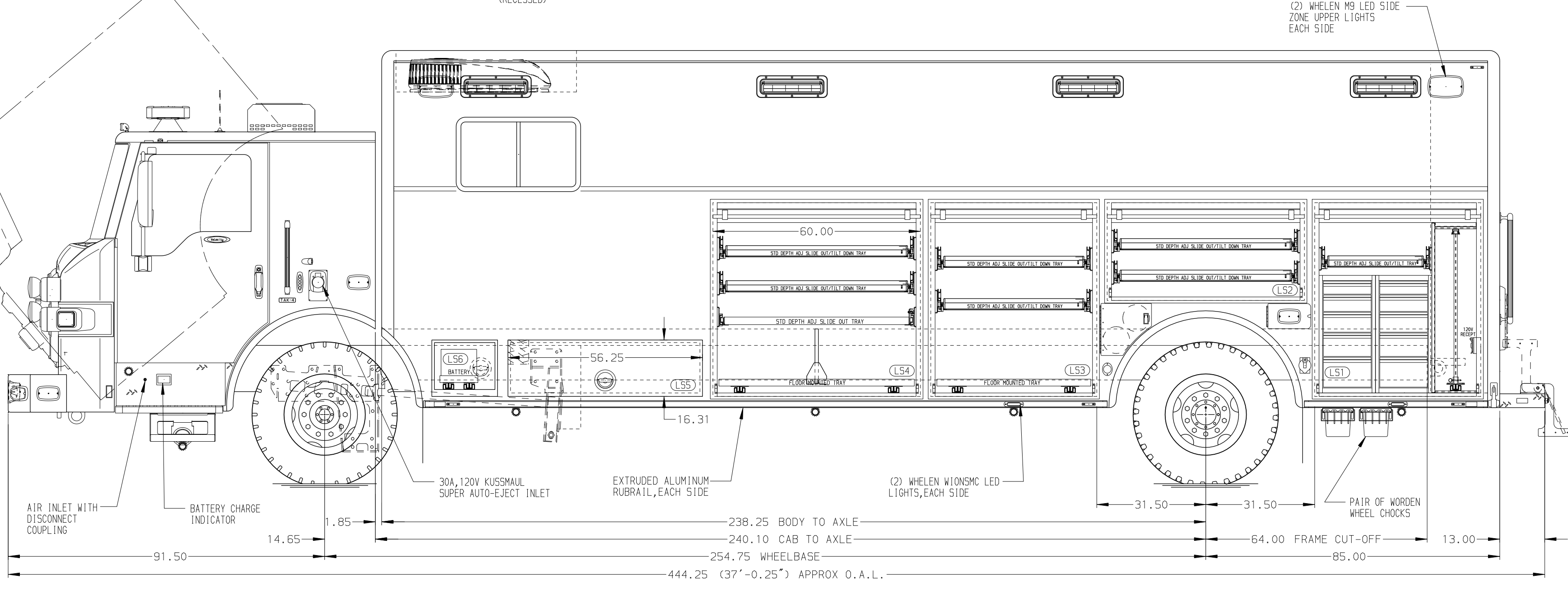
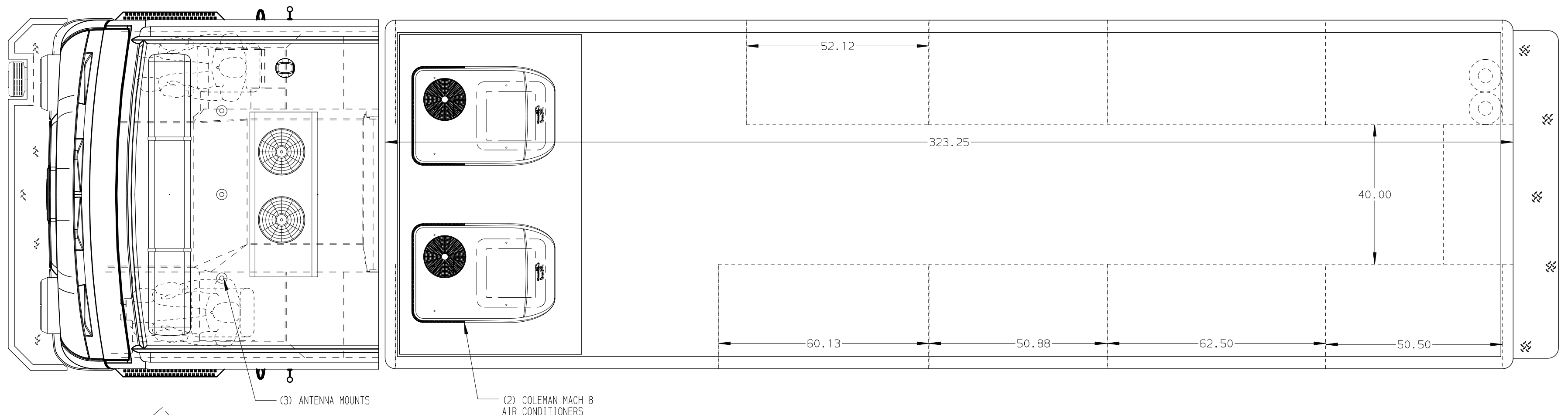
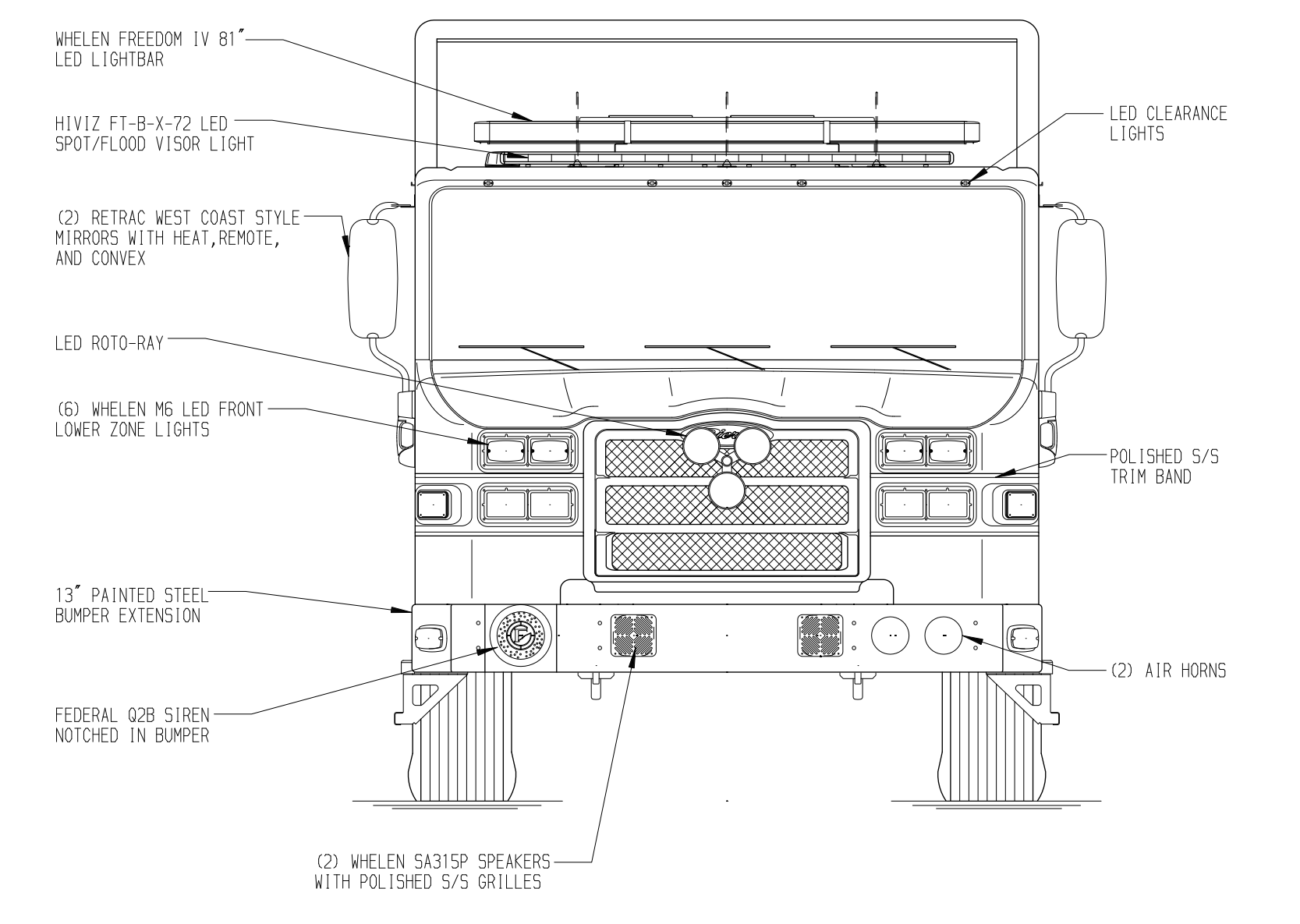
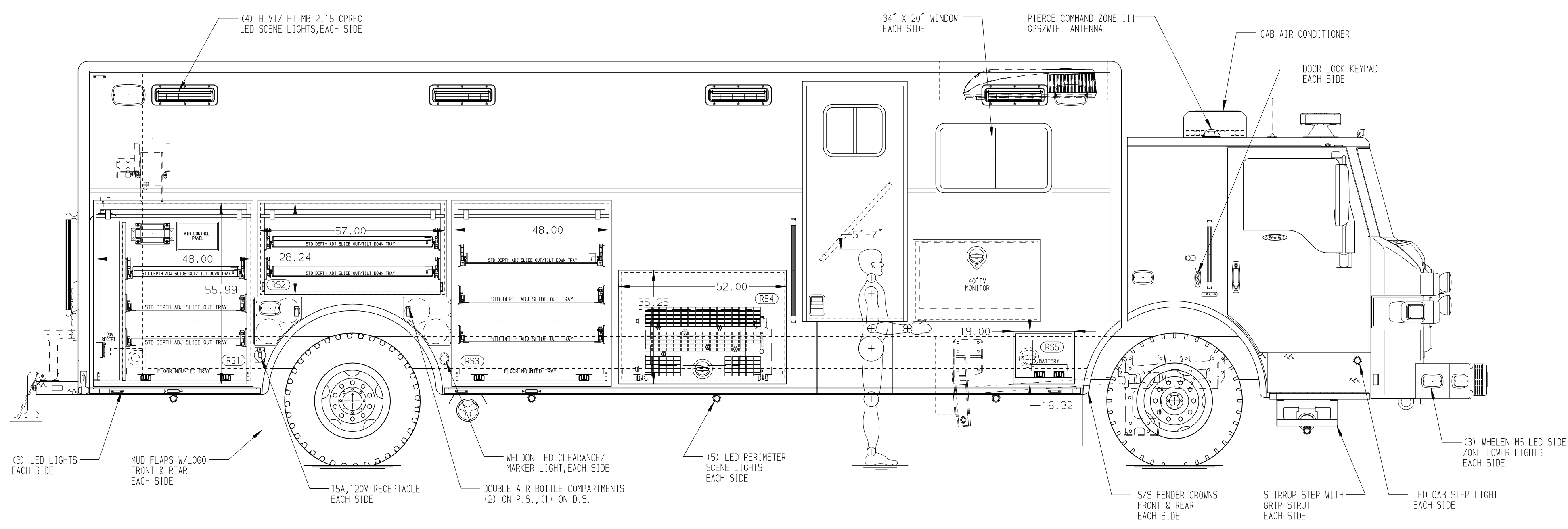
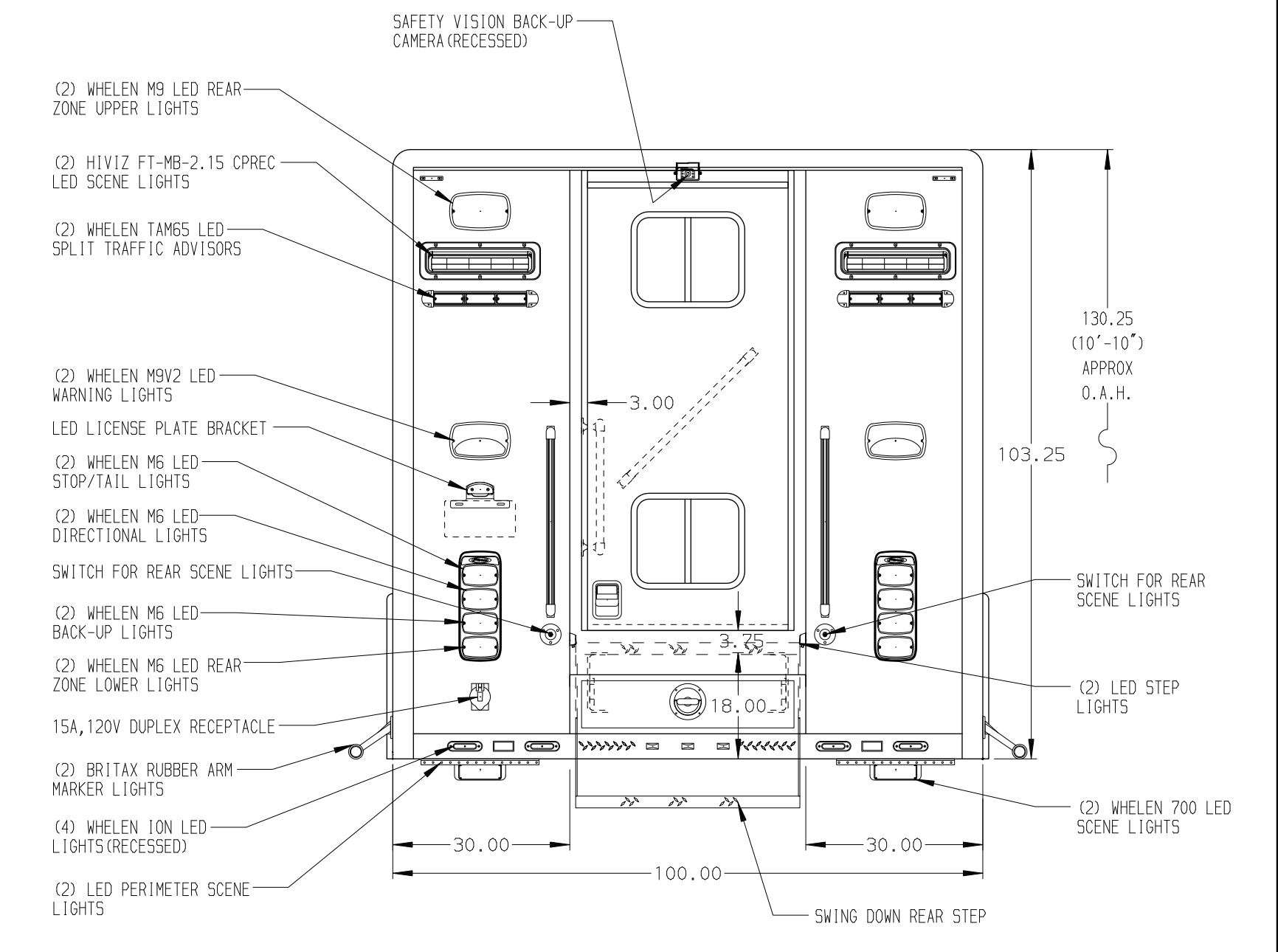


- RIGHT SIDE COMPARTMENTS CONTAIN THE FOLLOWING:**
- COMPARTMENT R51 CONTAINS:
    - (2) STD DEPTH ADJ SLIDE OUT TRAYS
    - (1) STD DEPTH ADJ SLIDE OUT/TILT TRAY
    - (1) FLOOR MOUNTED TRAY
    - (1) 15/20A, 120V DUPLEX RECEPTACLE
    - (2) 6000 UN AIR STORAGE BOTTLES
    - (1) AIR CONTROL PANEL
    - (1) LOW PRESSURE AIR REEL W/150' OF HOSE
  - COMPARTMENT R52 CONTAINS:
    - (2) STD DEPTH ADJ SLIDE OUT/TILT TRAYS
  - COMPARTMENT R53 CONTAINS:
    - (2) STD DEPTH ADJ SLIDE OUT TRAYS
    - (1) STD DEPTH ADJ SLIDE OUT/TILT TRAY
    - (1) FLOOR MOUNTED TRAY
  - COMPARTMENT R54 CONTAINS:
    - (1) FLOOR MOUNTED TRAY
    - (1) HARRISON 30KW HYDRAULIC GENERATOR
  - COMPARTMENT R55 CONTAINS:
    - CHASSIS BATTERIES ON SLIDE OUT TRAY



- LEFT SIDE COMPARTMENTS CONTAIN THE FOLLOWING:**
- COMPARTMENT L51 CONTAINS:
    - (1) STD DEPTH ADJ SLIDE OUT/TILT TRAY
    - (1) VERTICAL COMPARTMENT DIVIDER
    - (2) 5-DRAWER C-TECH CABINETS
    - (1) STD DEPTH ADJ SLIDE OUT TOOLBOARD
    - (1) 15/20A, 120V DUPLEX RECEPTACLE
  - COMPARTMENT L52 CONTAINS:
    - (2) STD DEPTH ADJ SLIDE OUT/TILT TRAYS
  - COMPARTMENT L53 CONTAINS:
    - (2) STD DEPTH ADJ SLIDE OUT/TILT TRAYS
    - (1) FLOOR MOUNTED TRAY
  - COMPARTMENT L54 CONTAINS:
    - (1) STD DEPTH ADJ SLIDE OUT TRAY
    - (2) STD DEPTH ADJ SLIDE OUT/TILT TRAYS
    - (1) FLOOR MOUNTED TRAY WITH TOOLBOARD
  - COMPARTMENT L55 CONTAINS:
    - (1) KUSSMAUL PUMP PLUS 1200 CHARGER
  - COMPARTMENT L56 CONTAINS:
    - CHASSIS BATTERIES ON SLIDE OUT TRAY



**NOTE**  
DIMENSIONS SHOWN ARE APPROXIMATE AND ARE SUBJECT TO MINOR DEVIATIONS AS MAY OCCUR OR BE NECESSARY IN CONSTRUCTION. MINOR DETAILS NOT SHOWN.

- NOTES:**
- FLOOR IN CAB TO BE PADDED RUBBER
  - PULL STRAPS ON ALL BODY ROLL-UP DOORS
  - PIERCE LED LIGHTS IN ALL BODY COMPARTMENTS

**CLEAR DOOR WIDTH KEY**

AMOR ROLL UP DOORS:	-2 1/4"
CORTITE ROLL UP DOORS:	-2 1/2"
PIERCE DOUBLE LAP DOORS:	-4 1/4"
PIERCE LIFT-UP LAP DOORS:	-1 1/2"

(EX: 60" F-F - 2 1/4" = 57 3/4" CLEAR)  
(F-F) = FRAME TO FRAME

**CUSTOMER APPROVAL**

APPROVED BY: \_\_\_\_\_  
DATE: \_\_\_\_\_

REV	DATE	BY	CH

**Pierce MANUFACTURING INC.**

TITLE: HEAVY DUTY RESCUE WALKIN  
MAKE: PIERCE  
MODEL: VX1500

FOR: LAFAYETTE FIRE DEPARTMENT  
BID #966

DANNY DENAIS

DWG NO. 38028AD-SH1

JOB NO. 38028  
SCALE 1:24  
DATE  
DRAWN BY DHE  
CHECKED BY AZU  
SHEET SIZE D  
SHEET NO. 1 OF 1