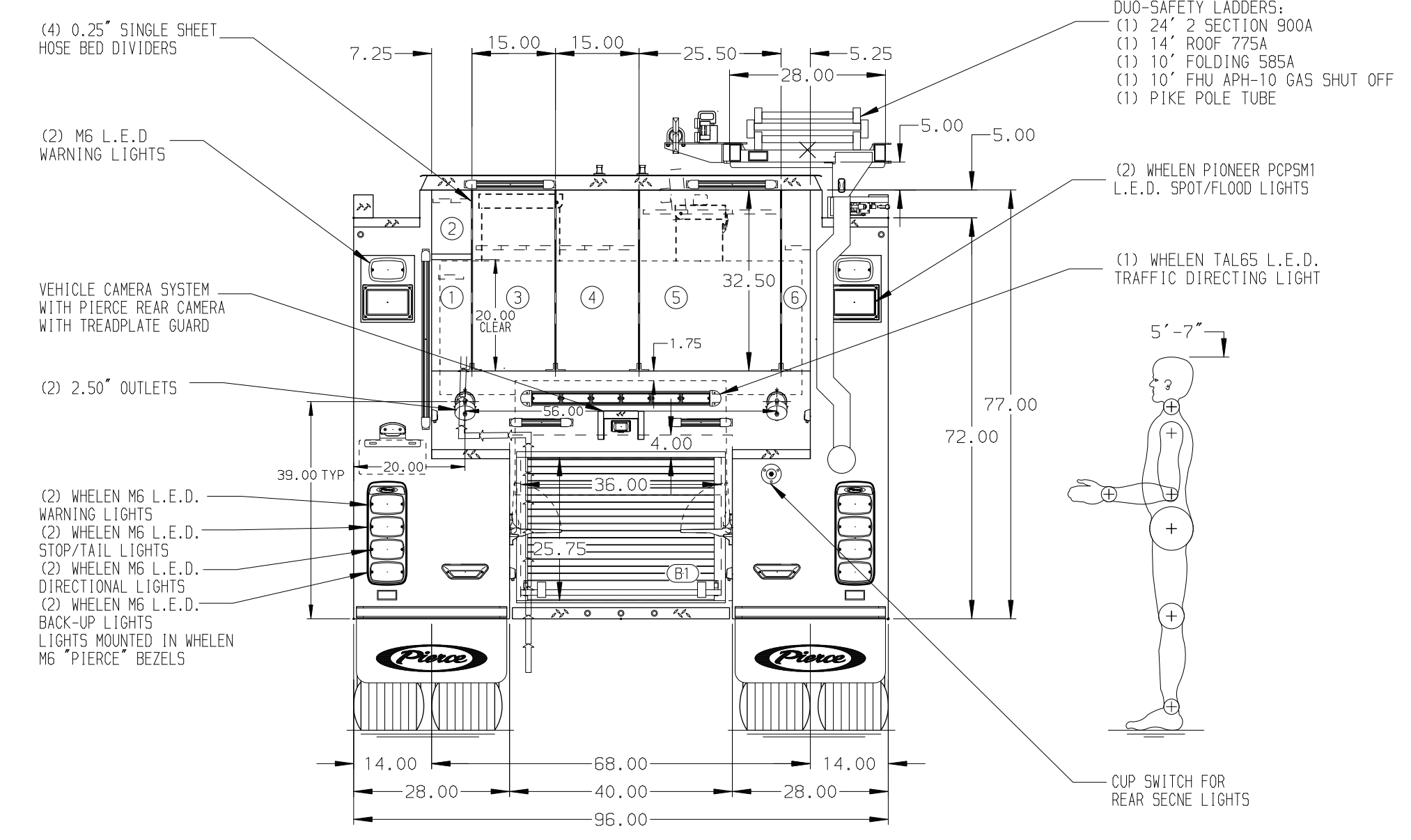
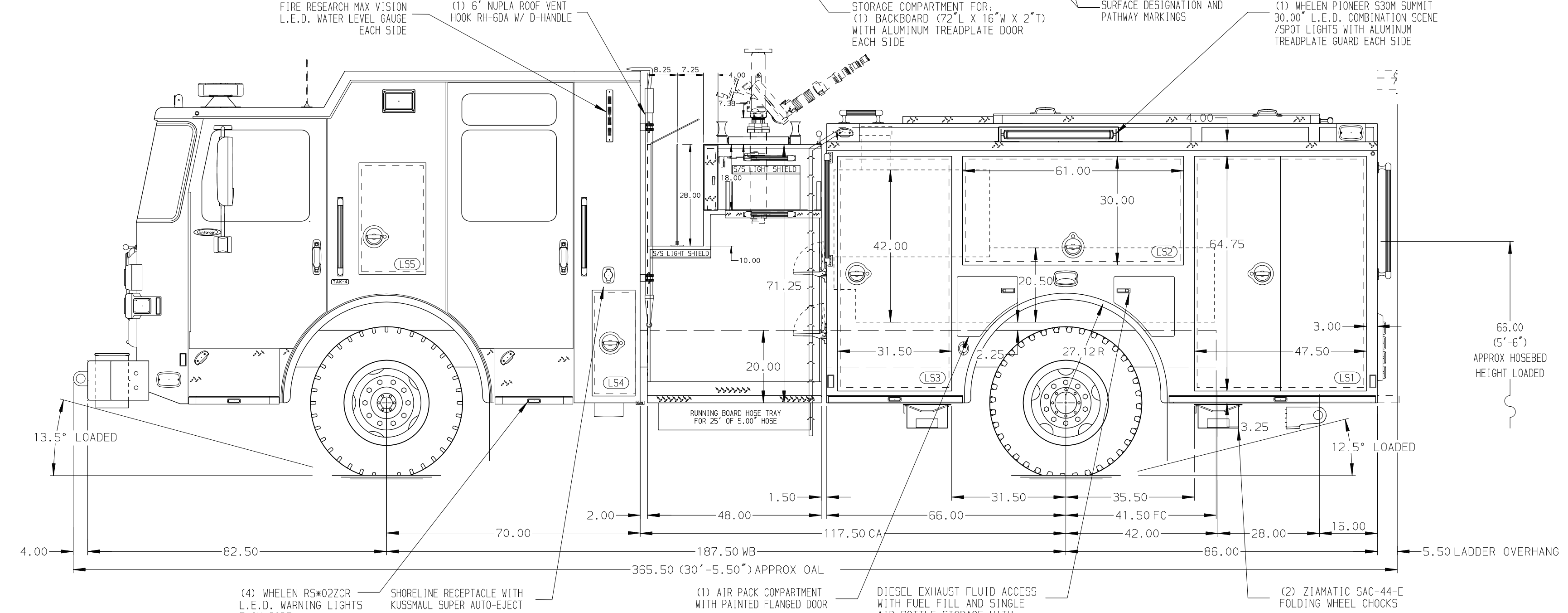


- HOSEBED CAPACITIES**
- ① - 150' OF 2.50\"/>
 - ② - 200' OF 1.75\"/>
 - ③ - 600' OF 2.50\"/>
 - ④ - 600' OF 2.50\"/>
 - ⑤ - 800' OF 5.00\"/>
 - ⑥ - 200' OF 2.50\"/>



ALUMINUM BODY

MAXIMUM O.A.H: 113.00" (LOADED)

MAXIMUM O.A.L: 365.50"

NOTE
DIMENSIONS SHOWN ARE APPROXIMATE AND ARE SUBJECT TO MINOR DEVIATIONS AS MAY OCCUR OR BE NECESSARY IN CONSTRUCTION. MINOR DETAILS NOT SHOWN.

1. BATTERY CHARGER LOCATED PER SHOP ORDER
2. 12V L.E.D. LIGHT STRIPS ON HOSE BED COVER
3. REVERSED HINGED DOOR ON COMPARTMENT L53
4. BRUSHED STAINLESS STEEL SCUFFPLATE INSIDE EACH BODY COMPARTMENT DOORS
5. SEVEN FULL WIDTH/DEPTH ADJUSTABLE SHELVES LOCATED PER SHOP ORDER
6. ONE ADJUSTABLE SLIDE-OUT TRAY LOCATED PER SHOP ORDER
7. TRANSVERSE PARTITIONS BETWEEN L51/51 & R51/51
8. ONE SWING-OUT TOOL BOARD WITH PEGBOARD PATTERN LOCATED PER SHOP ORDER
9. FOAM PRO 2002 FOAM SYSTEM LOCATED PER SHOP ORDER
10. TWO ALUMINUM PEGBOARDS ON BACK WALLS OF COMPARTMENTS LOCATED PER SHOP ORDER
11. AIR OUTLET WITH SHUT OFF VALVE LOCATED PER SHOP ORDER

REV	DATE	BY	CH	ENFORCER
1	29JAN24	JJB	AST	
2	05OCT23	JJB	AST	
3	29AUG23	JJB	AST	
4	02JUN23	JJB	WKL	

		JOB NO.	38033
		SCALE	1:24
CHASSIS DATA TITLE FOR MAKE MODEL DWG NO.	1500-D-530P, 500G WATER, 30G FOAM, 152" FDLER PUMPER RS HYDRAULIC LADDER RACK, (2) CROSSLAYS, HOSE REEL BENICIA FIRE DEPARTMENT BENICIA, CALIFORNIA	DRAWN BY	JJB
		CHECKED BY	WKL
38033AD		SHEET SIZE	D
		SHEET NO.	1 OF 1