

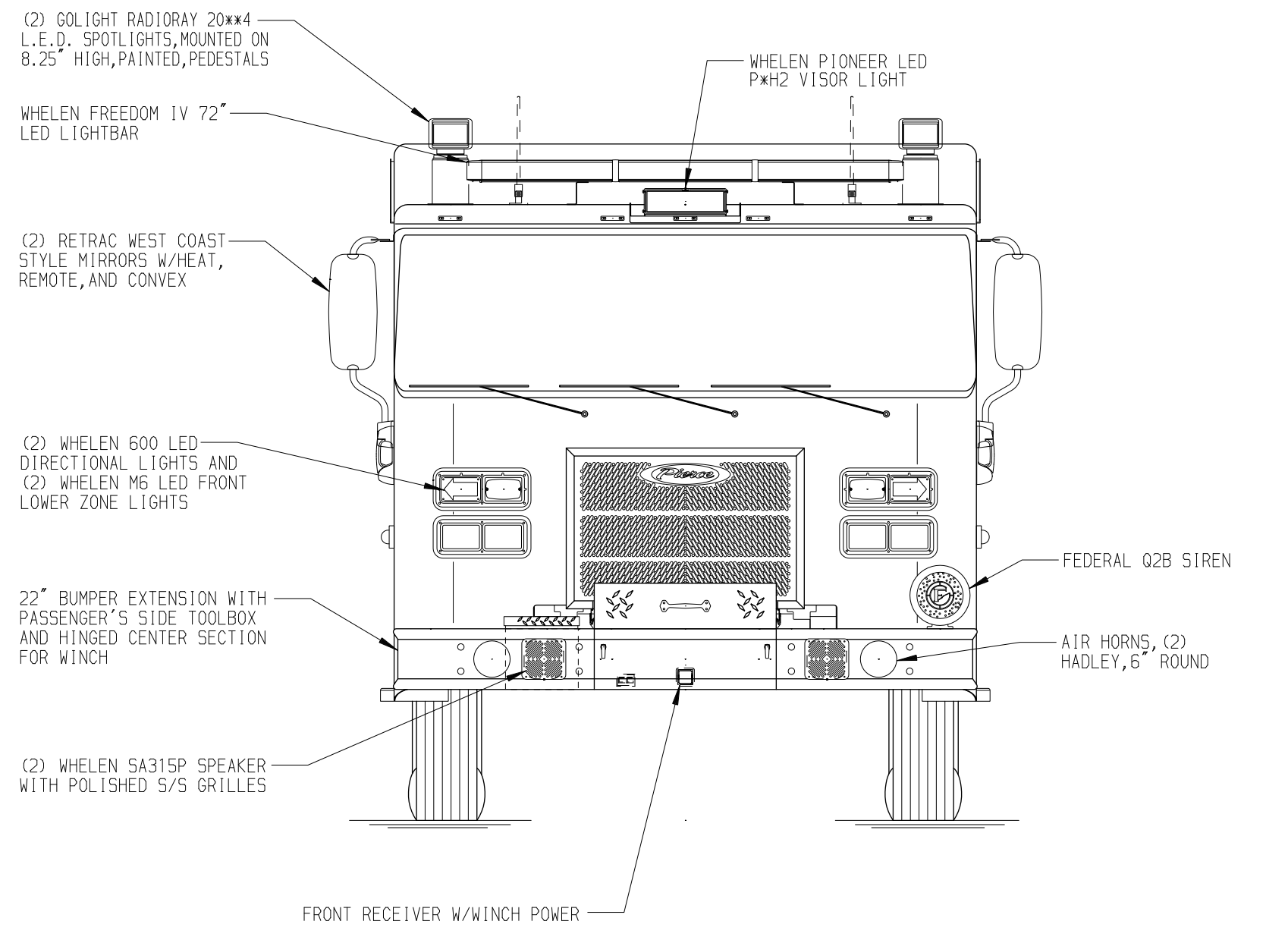
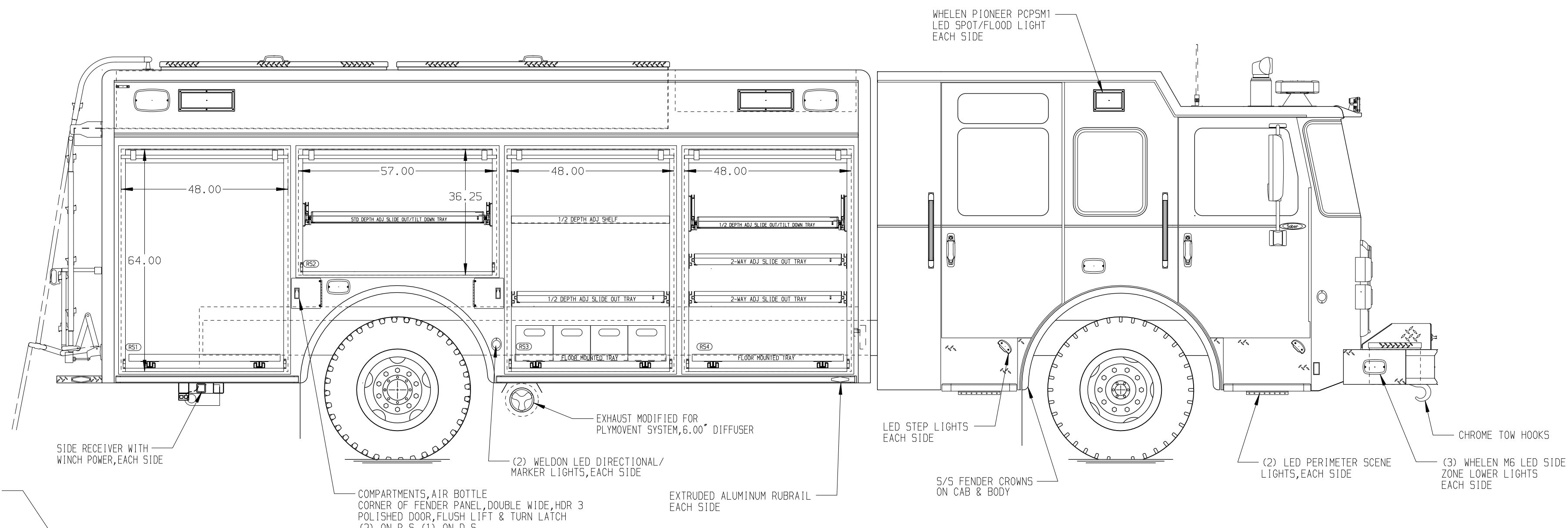
**PASSENGER'S SIDE COMPARTMENTS CONTAIN THE FOLLOWING:**

COMPARTMENT R51 CONTAINS:  
 - (1) FLOOR MOUNTED TRAY  
 -

COMPARTMENT R52 CONTAINS:  
 - (1) STD DEPTH ADJ SLIDE OUT/TILT TRAY  
 -

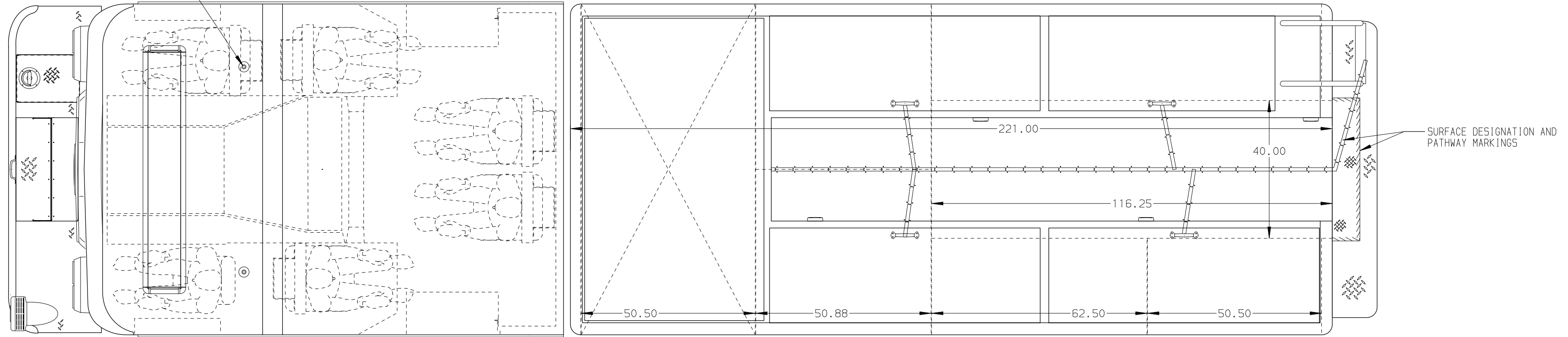
COMPARTMENT R53 CONTAINS:  
 - (1) 1/2 DEPTH ADJ SHELF  
 - (1) FLOOR MOUNTED TRAY  
 - (1) 1/2 DEPTH ADJ SLIDE OUT TRAY  
 - (4) POLY TOOL BOXES  
 -

COMPARTMENT R54 CONTAINS:  
 - (1) 1/2 DEPTH ADJ SLIDE OUT/TILT TRAY  
 - (1) FLOOR MOUNTED TRAY  
 - (2) 2-WAY ADJ SLIDE OUT TRAYS  
 -



**REAR COMPARTMENT CONTAINS THE FOLLOWING:**

COMPARTMENT R1 CONTAINS:  
 - (1) 110" DP SLIDE OUT TRAY  
 - (1) FLOOR MOUNTED TRAY  
 - (1) STOKES BASKET RACK



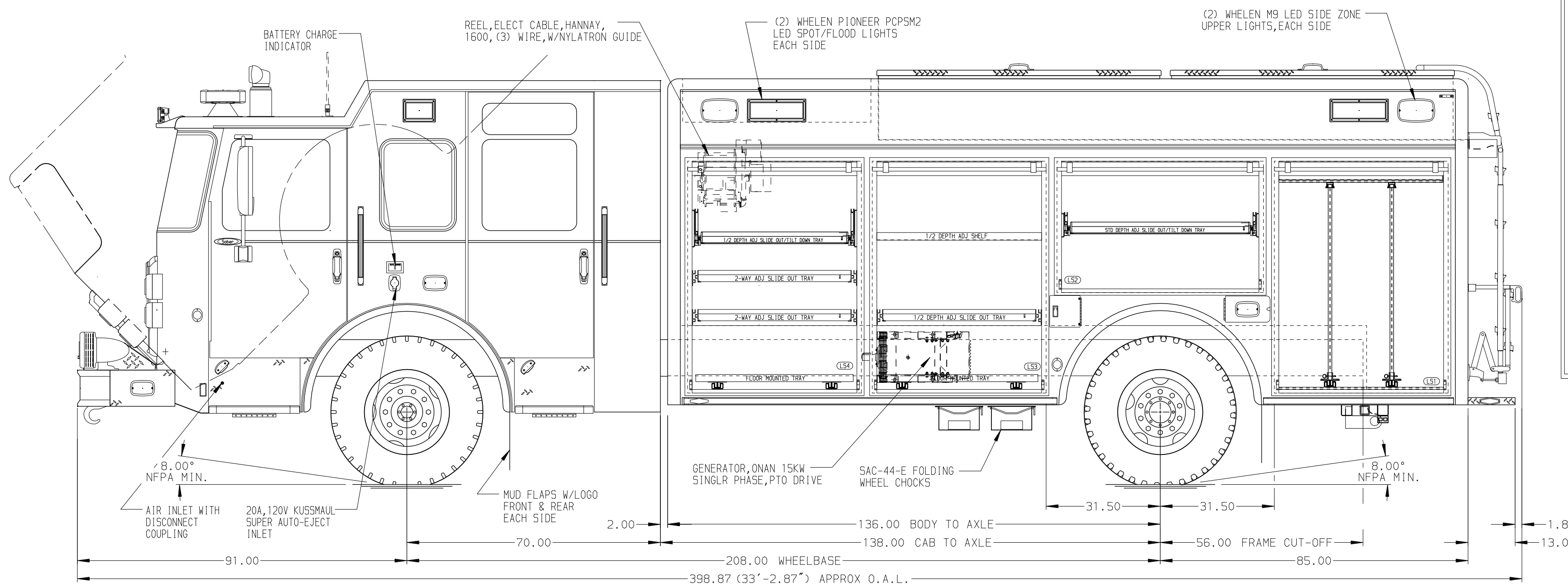
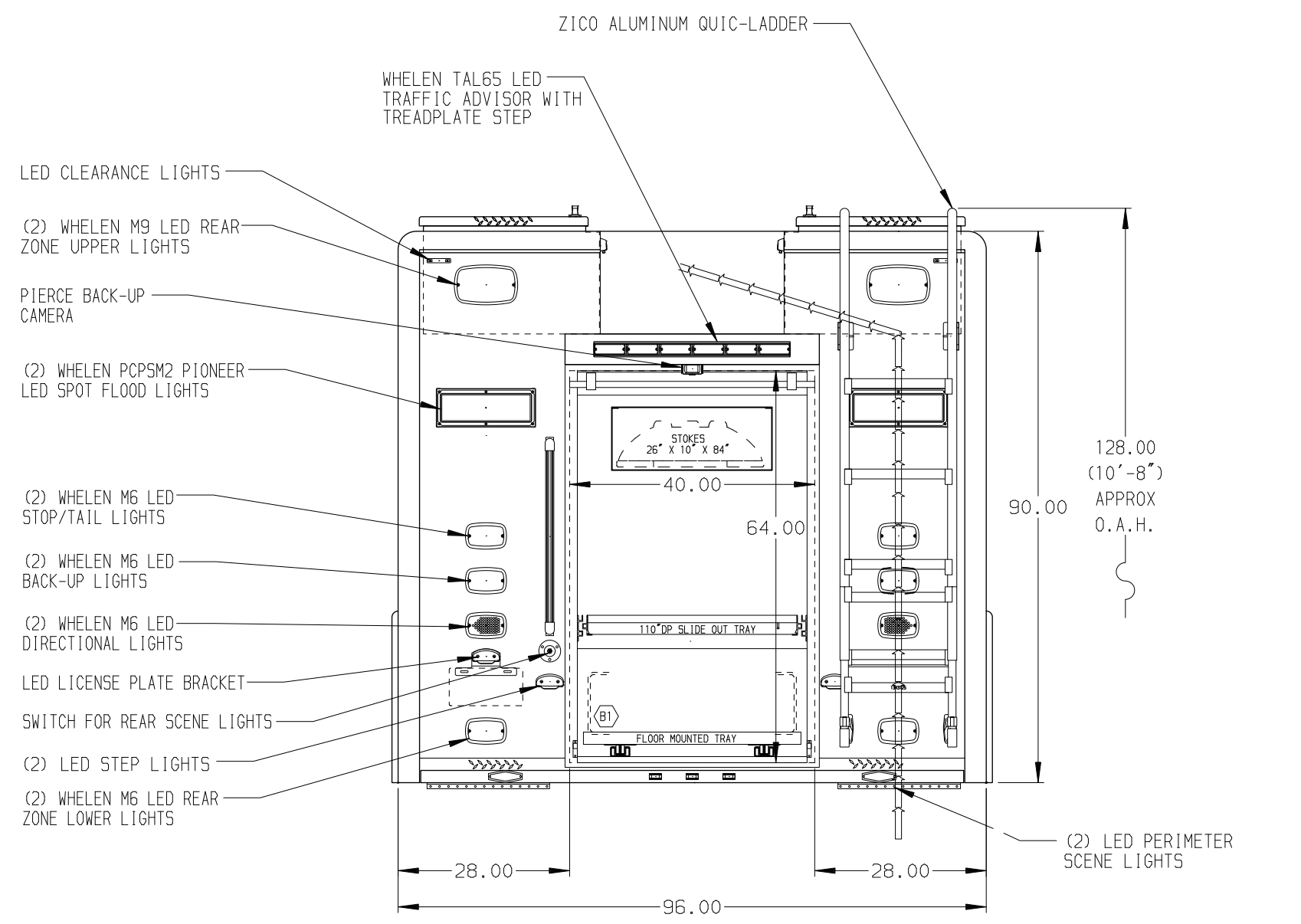
**DRIVER'S SIDE COMPARTMENTS CONTAIN THE FOLLOWING:**

COMPARTMENT L51 CONTAINS:  
 - (2) STD DEPTH ADJ SLIDE OUT TOOLBOARDS  
 -

COMPARTMENT L52 CONTAINS:  
 - (1) STD DEPTH ADJ SLIDE OUT/TILT TRAY  
 -

COMPARTMENT L53 CONTAINS:  
 - (1) 1/2 DEPTH ADJ SHELF  
 - (1) 1/2 DEPTH ADJ SLIDE OUT TRAY  
 - (1) FLOOR MOUNTED TRAY  
 -

COMPARTMENT L54 CONTAINS:  
 - (1) 1/2 DEPTH ADJ SLIDE OUT/TILT TRAY  
 - (2) 2-WAY ADJ SLIDE OUT TRAYS  
 - (1) FLOOR MOUNTED TRAY  
 -



**NOTE**  
 DIMENSIONS SHOWN ARE APPROXIMATE AND ARE SUBJECT TO MINOR DEVIATIONS AS MAY OCCUR OR BE NECESSARY IN CONSTRUCTION. MINOR DETAILS NOT SHOWN.

- NOTES:**
1. WARN #9,000 PORTABLE WINCH
  2. FLOOR IN CAB AND CREW CAB TO BE PADDED RUBBER
  3. PULL STRAPS ON ALL BODY ROLL UP DOORS
  4. PIERCE LED LIGHT STRIPS IN ALL BODY AND HATCH COMPARTMENTS
  5. 107A 75 AMP BATTERY CHARGER LOCATED BEHIND THE DRIVER'S SEAT
  6. S/S GUARDS ON ALL BODY ROLL-UP DOORS

(SIDE ROLL & FRONTAL IMPACT PROTECTION)

CLEAR DOOR WIDTH KEY		CHASSIS DATA	TITLE
AMOR ROLL UP DOORS:	-2 1/4"	MAKE	HEAVY DUTY RESCUE NON-WALKIN
CORTITE ROLL UP DOORS:	-2 1/2"	PIERCE	FOR PIERCE FIELD UNIT APPLETON, WISCONSIN
PIERCE DOUBLE LIP DOORS:	-4 1/4"	MODEL	DWG NO. 38039AD
PIERCE LIFT-UP LAP DOORS:	-1 1/2"	REV	DATE
(EX: 60" F-F - 2 1/4" = 57 3/4" CLEAR) (F-F) = FRAME TO FRAME		BY	CH
		SBFR7010	

<b>Pierce MANUFACTURING INC.</b>		JOB NO.	38039
		SCALE	1:24
		DATE	07JUL22
		DRAWN BY	JLA
		CHECKED BY	JAP
		SHEET NO.	1 OF 1