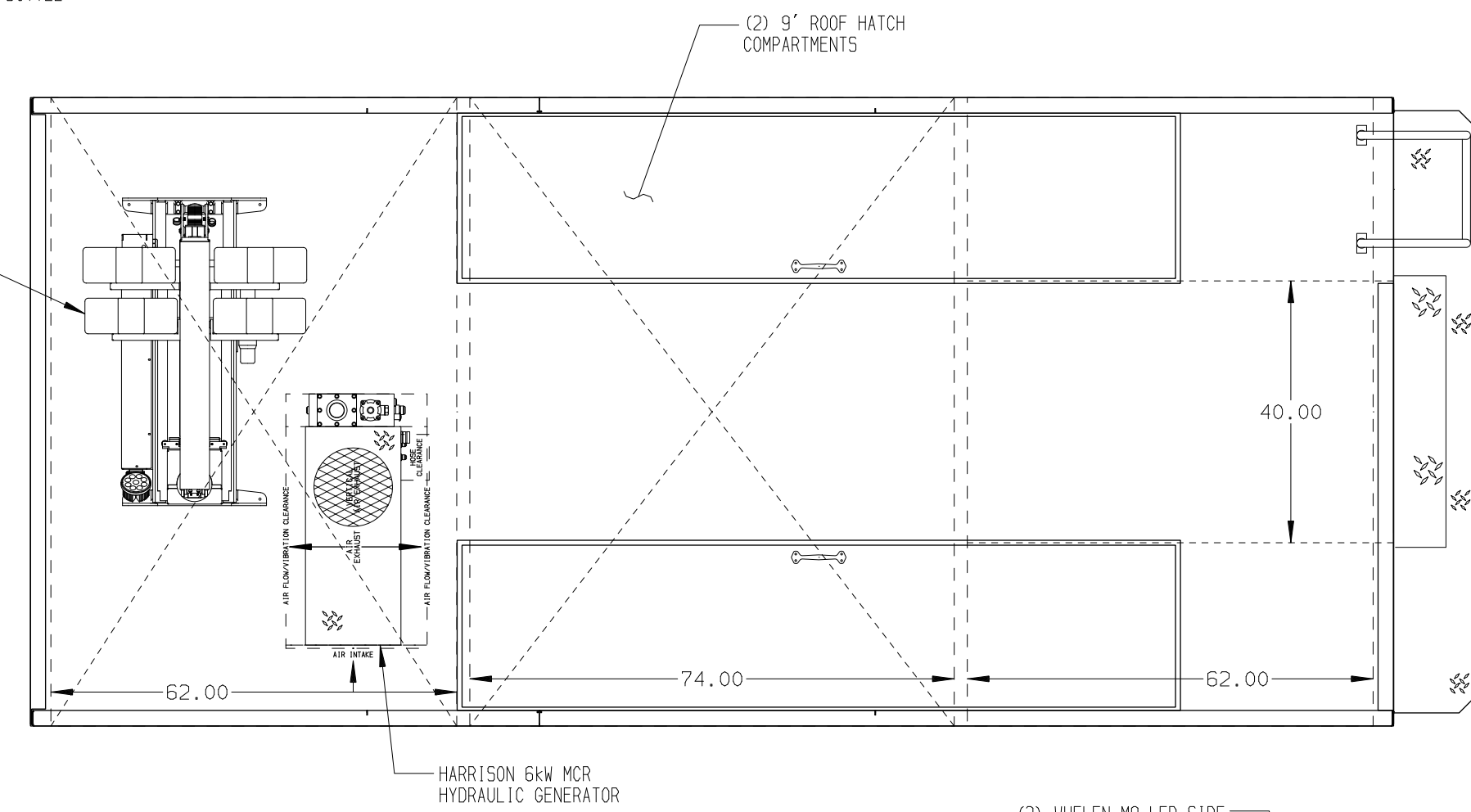
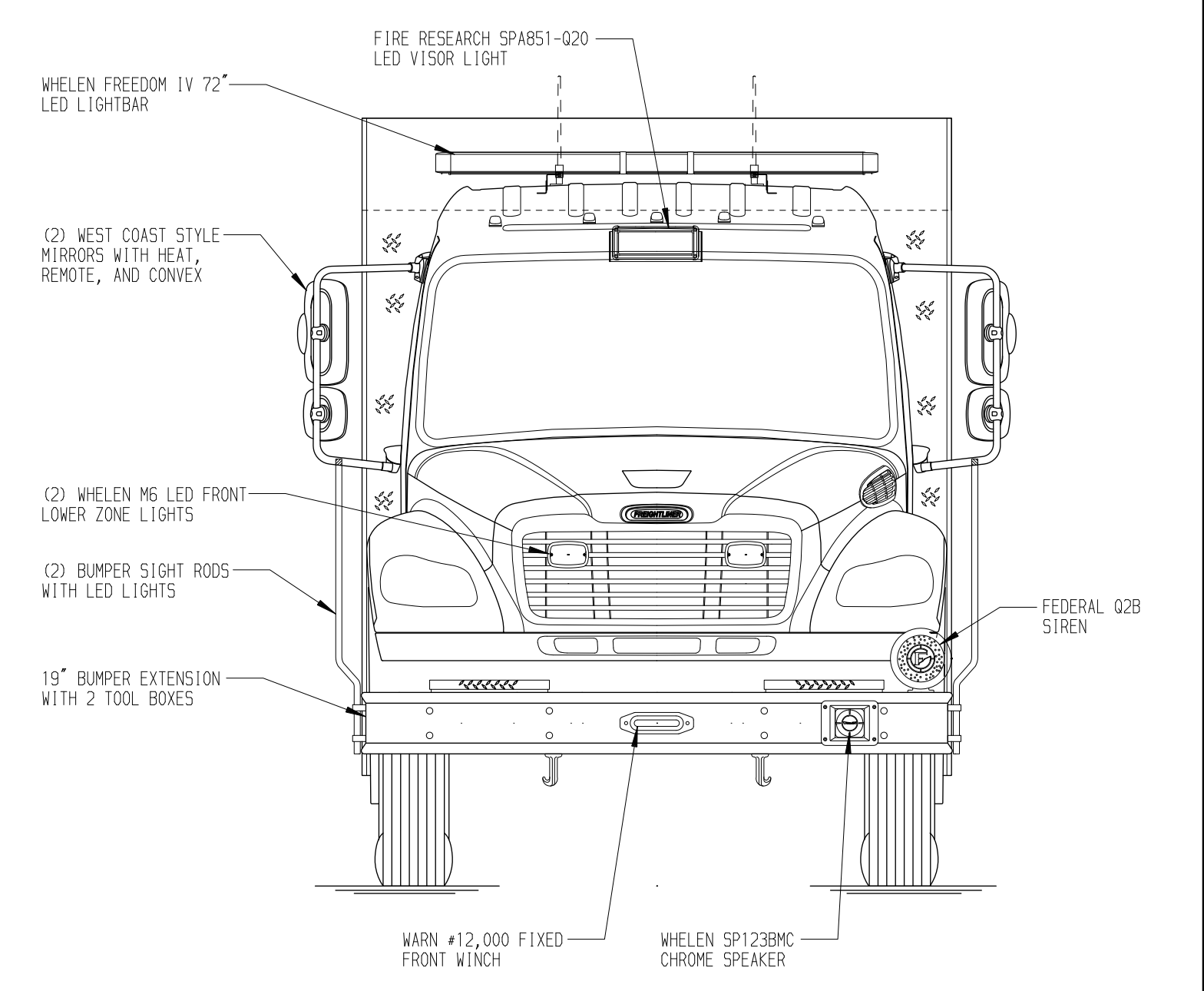
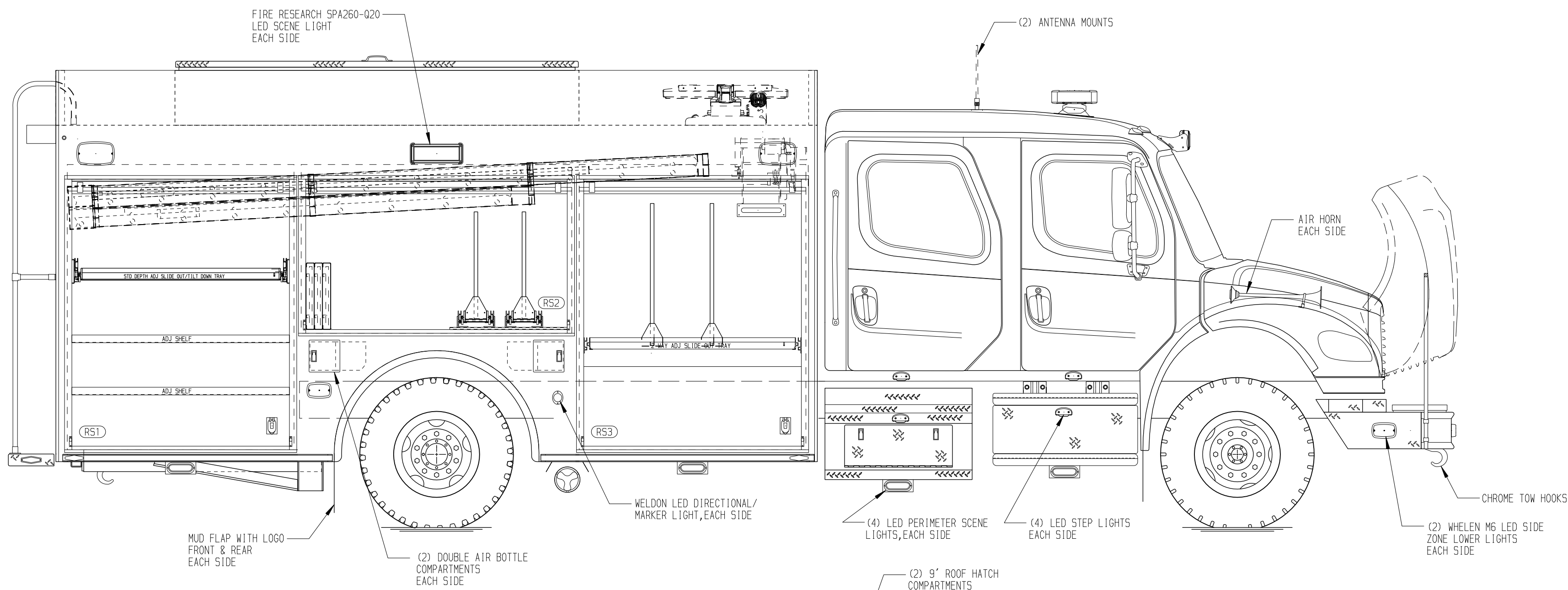


RIGHT SIDE COMPARTMENTS CONTAIN THE FOLLOWING:

COMPARTMENT RS1 CONTAINS:
 - (2) STD DEPTH ADJ SHELVES
 - (1) STD DEPTH ADJ SLIDE OUT/TILT TRAY
 - (1) 15/20A, 120V DUPLEX RECEPTACLE

COMPARTMENT RS2 CONTAINS:
 - (2) 2-WAY ADJ SLIDE OUT TOOLBOARDS

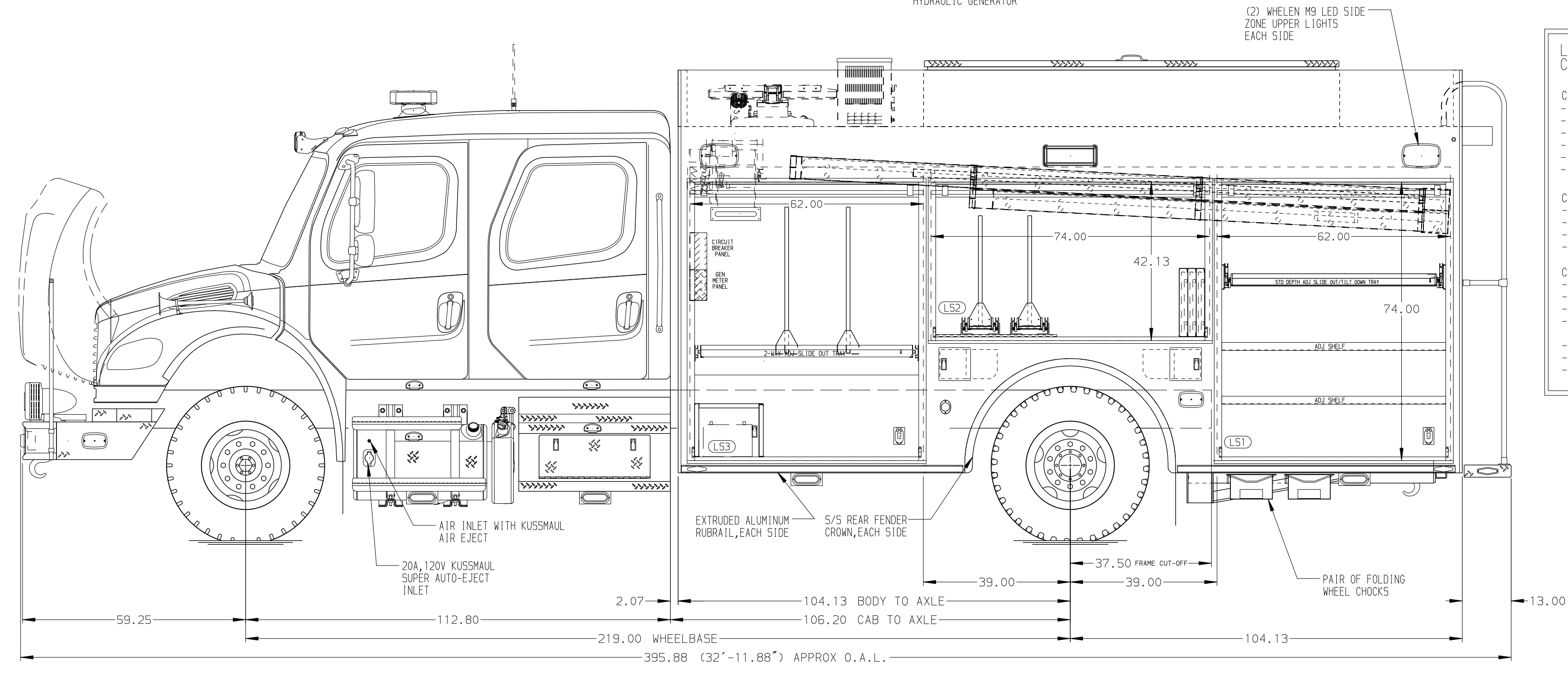
COMPARTMENT RS3 CONTAINS:
 - (1) 2-WAY ADJ SLIDE OUT TRAY WITH 2 TOOLBOARDS
 - (1) ELECTRIC CORD REEL WITH 200' OF 10/3 YELLOW CORD
 - (1) 15/20A, 120V DUPLEX RECEPTACLE



REAR COMPARTMENT CONTAINS THE FOLLOWING:

COMPARTMENT B1 CONTAINS:
 - (1) 60" DP ADJ SHELF
 - (1) 52" DP ADJ SLIDE OUT/TILT TRAY
 - (1) 62" DP FLOOR MOUNTED SLIDE OUT TRAY
 - (1) RACK FOR THE FOLLOWING:
 - (1) 24" 2-SECTION LADDER
 - (1) 14" ROOF LADDER
 - (1) 10" FOLDING LADDER
 - (2) PIKE POLES

- (1) RACK FOR THE FOLLOWING:
 - (1) 24" 2-SECTION LADDER
 - (1) 14" ROOF LADDER
 - (1) 10" FOLDING LADDER
 - (2) PIKE POLES

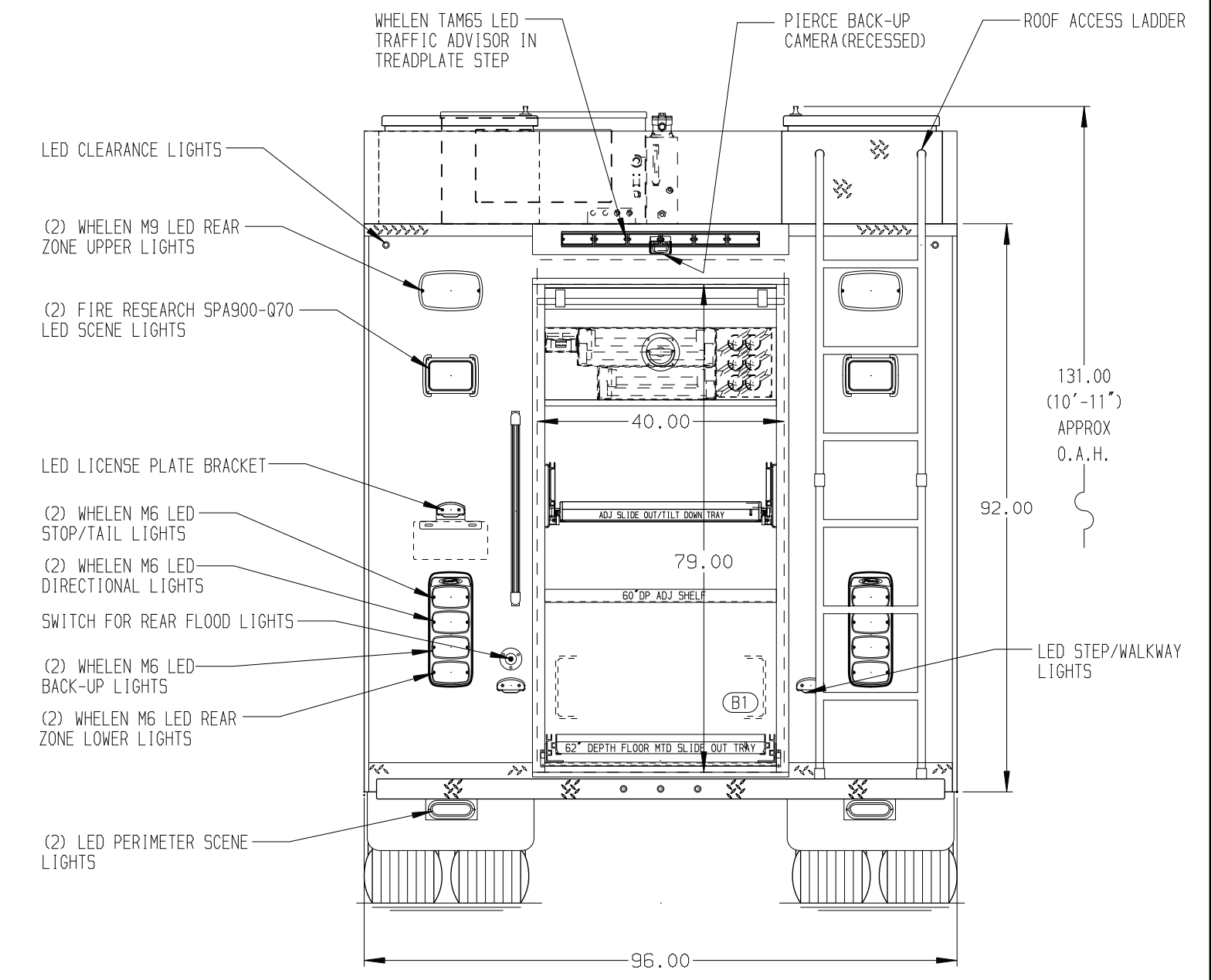


LEFT SIDE COMPARTMENTS CONTAIN THE FOLLOWING:

COMPARTMENT LS1 CONTAINS:
 - (2) STD DEPTH ADJ SHELVES
 - (1) STD DEPTH ADJ SLIDE OUT/TILT TRAY
 - (1) 15/20A, 120V DUPLEX RECEPTACLE

COMPARTMENT LS2 CONTAINS:
 - (1) RACK FOR 3 BACKBOARDS
 - (2) 2-WAY ADJ SLIDE OUT TOOLBOARDS

COMPARTMENT LS3 CONTAINS:
 - (1) 10A 75AMP BATTERY CHARGER
 - (1) CIRCUIT BREAKER PANEL
 - (1) GENERATOR METER PANEL
 - (1) ELECTRIC CORD REEL WITH 200' OF 10/3 YELLOW CORD
 - (1) 15/20A, 120V DUPLEX RECEPTACLE



NOTE
 DIMENSIONS SHOWN ARE APPROXIMATE AND ARE SUBJECT TO MINOR DEVIATIONS AS MAY OCCUR OR BE NECESSARY IN CONSTRUCTION. MINOR DETAILS NOT SHOWN.

NOTES:
 1. BATTERY CHARGE INDICATOR LOCATED ON DRIVER'S SEAT RISER
 2. PULL STRAPS ON ALL BODY ROLL-UP DOORS
 3. PIERCE LED LIGHTS IN ALL BODY COMPARTMENTS

CUSTOMER APPROVAL			
APPROVED BY:			
DATE:			
REV	DATE	BY	CH
-	-	-	-
M2-106			



TITLE	ENCORE RESCUE VEHICLE
CHASSIS DATA	62.74.62
MAKE	ASCENSION PARISH FIRE DISTRICT NO.1
FOR	BID #911 LARRY FREEMAN
FREIGHTLINER	
MODEL	
DWG NO.	38063AD

JOB NO.	38063
SCALE	1:24
DATE	
DRAWN BY	DHE
210CT22	
CHECKED BY	CDK
260CT22	
SHEET SIZE	D
SHEET NO.	1 OF 1