

Pumper, PUC

BODY

Pumper, PUC, Aluminum

CHASSIS

Impel Chassis, PUC

CHASSIS AXLE, FRONT, CUSTOM

22,800 Lb TAK-4 Axle

AXLE, REAR

31,000 Lb Meritor Axle

ENGINE

450 HP Cummins L9 Engine

TRANSMISSION

Allison 5th Gen, 3000 EVS P

BUMPER

22" Extended Painted Steel

CAB

7010 Impel FR Cab, PUC

BODY

WATER TANK

1000 Gallon Poly Water Tank

COMPT, PUMPER, REAR

33.50" FF RollUp Rear Compt w/Tailboard, PUC

COMPT, PUMPER, LEFT SIDE

214" RollUp Full Height & Depth Front & Rear, PUC

COMPT, PUMPER, RIGHT SIDE

214" RollUp Full Height & Depth Front & Rear, PUC

FIRE SUPPRESSION

PUMPHOUSE

Control Zone, PUC

PUMP

1500 GPM Pierce PUC

CROSSLAYS, 1.50"

(3) 1.50", Poly Trays, 200"

(1) Deadlay, Poly Tray, 200"

CROSSLAYS, 2.50"

2.50" Crosslay Not Required

GENERATOR

Harrison 6kW MSV Hydraulic Generator

Foam System

Husky 3 Single Agent Foam System

Foam Cell

30 Gallon Foam Cell, Not Reduced Water, PUC

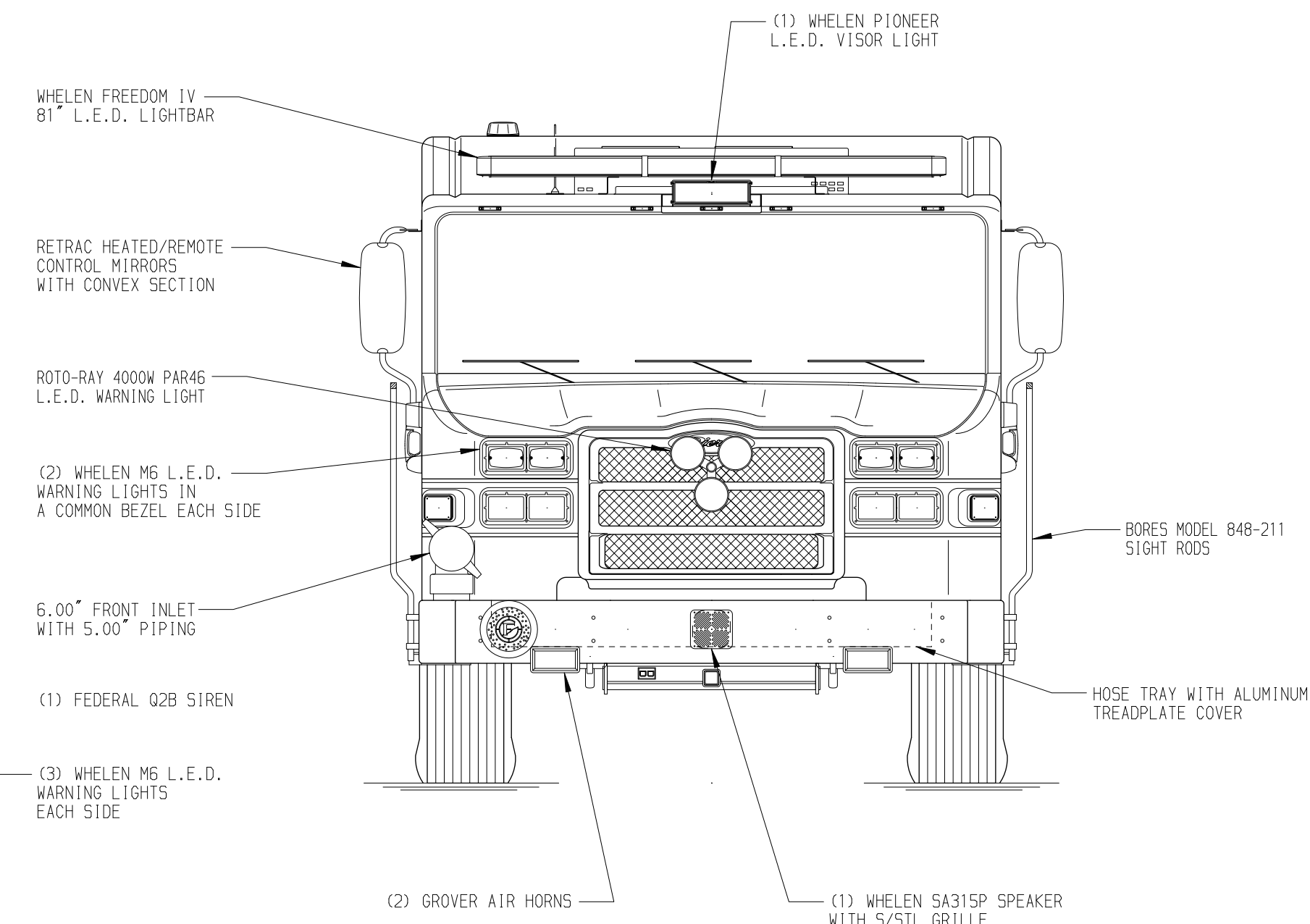
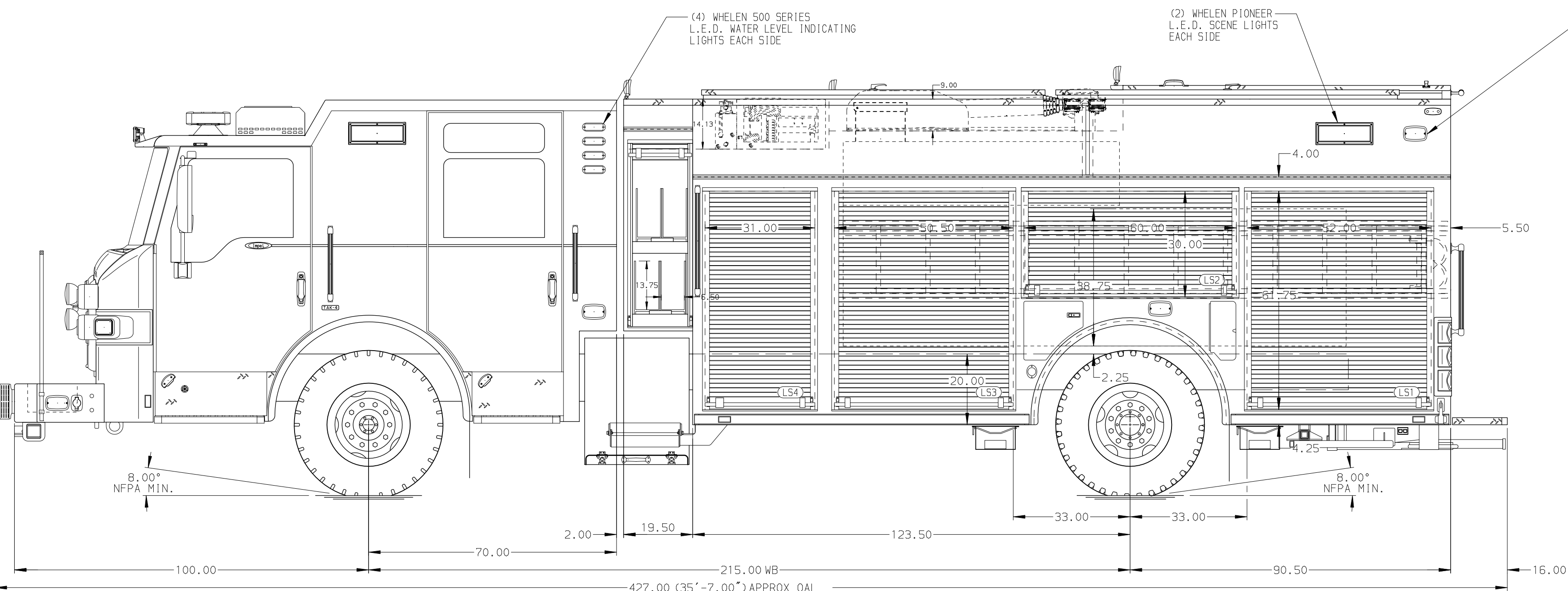
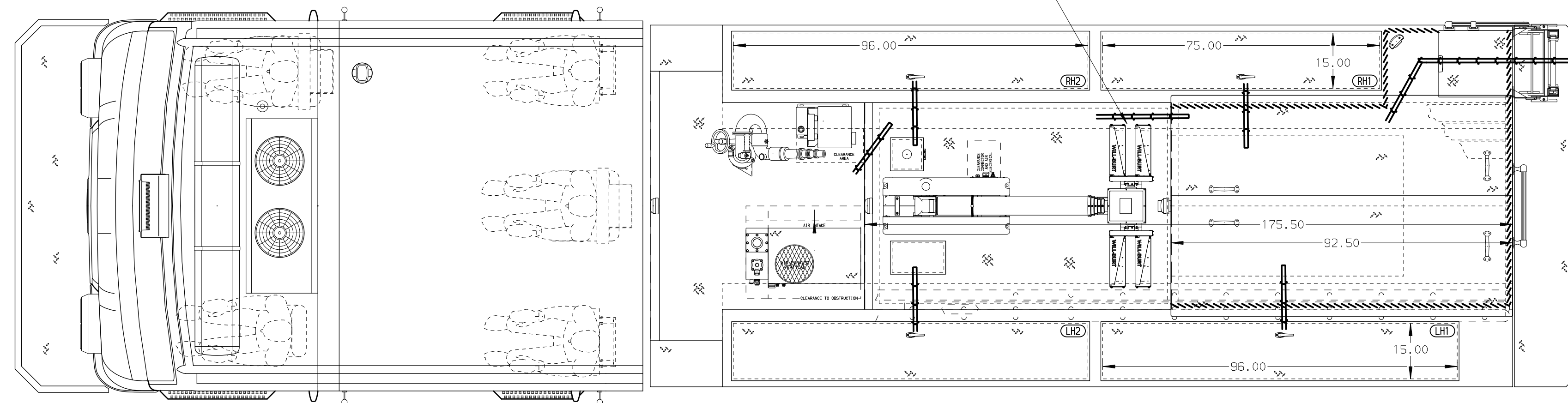
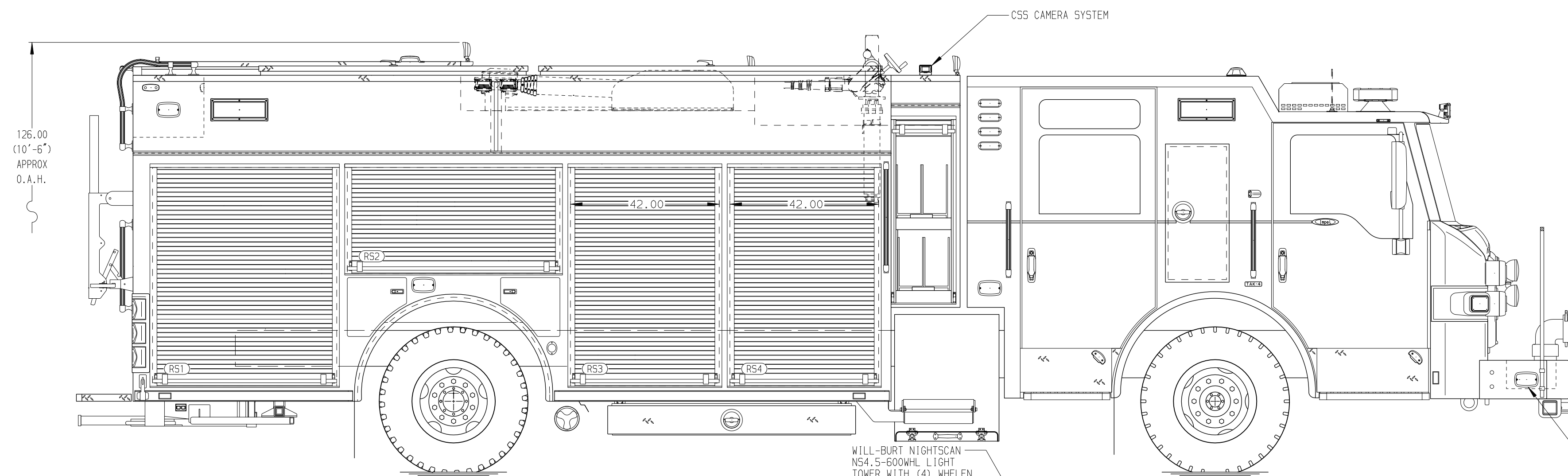
Side Roll and Frontal Impact Protection

NOTE

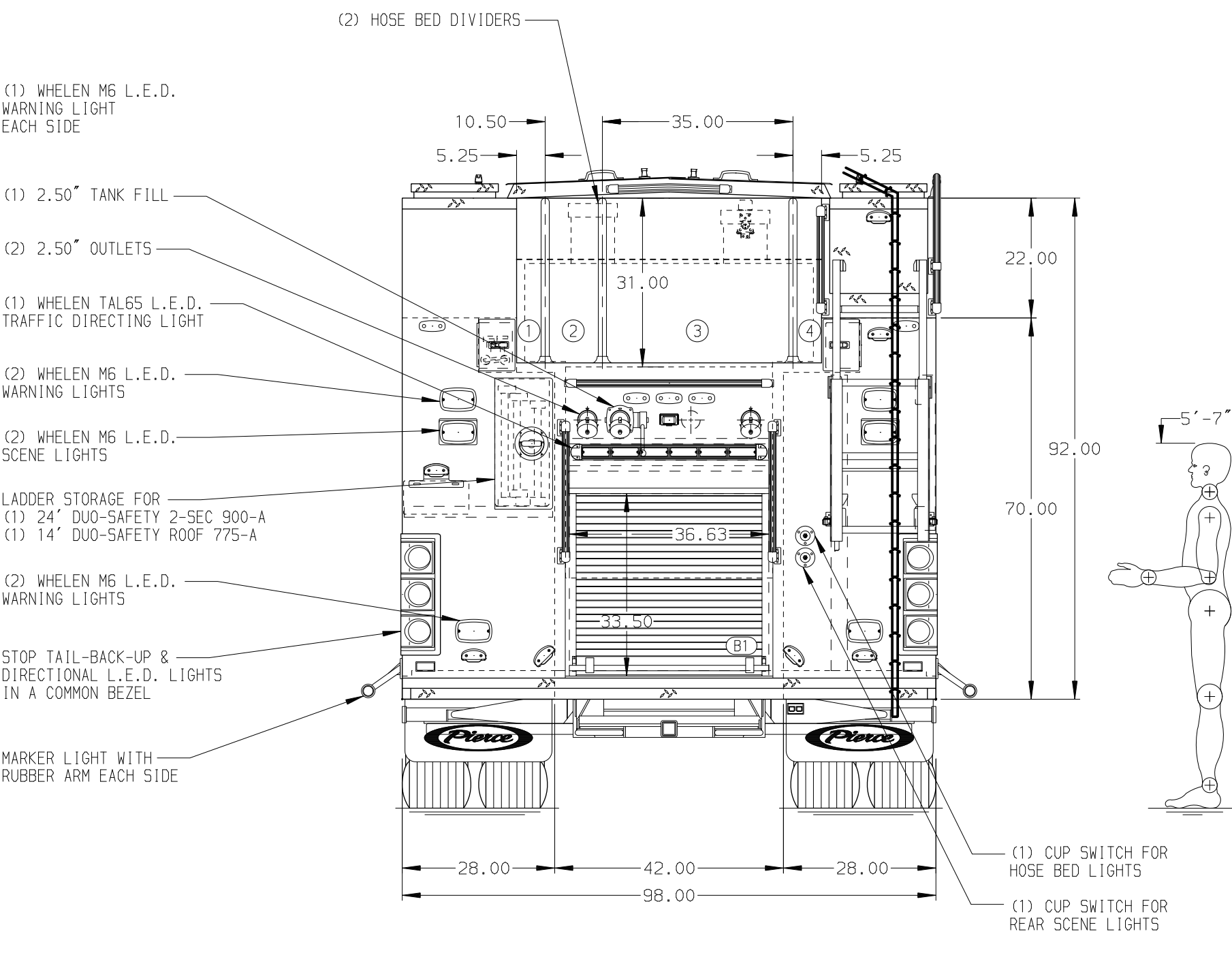
DIMENSIONS SHOWN ARE APPROXIMATE AND ARE SUBJECT TO MINOR DEVIATIONS AS MAY OCCUR OR BE NECESSARY IN CONSTRUCTION. MINOR DETAILS NOT SHOWN.

- ONE 1.50 OUTLET WITH 2.00 PIPING AND SWIVEL LOCATED IN BUMPER TRAY
- SHOULDER RECEPTACLE WITH KUSSMAUL SUPER AUTO-EJECT LOCATED ON DRIVER SIDE OF THE CAB
- AIR INLET WITH KUSSMAUL AIR EJECT IN THE DRIVER SIDE STEPWELL
- BATTERY CHARGER LOCATED PER ORDER
- BATTERY CHARGE INDICATOR LOCATED NEAR DRIVER SEAT RISER WITH BRACKET
- TEN ADJUSTABLE SHELVES LOCATED PER ORDER
- TWO FLOOR MOUNTED SLIDE-OUT TRAYS LOCATED PER ORDER
- PARTITIONS BETWEEN COMPARTMENT LS1/BS1 & RS1/B1
- ALUMINUM PEGBOARD LOCATED PER ORDER
- 100LB OIL DRY HOPPER LOCATED PER ORDER

- CIRCUIT BREAKER PANEL LOCATED PER ORDER
- HANNAY CABLE REEL MODEL 1618-17-18 WITH 200' OF 10/3 CABLE LOCATED PER ORDER



HOSEBED CAPACITY	
BED 1	250' OF 1.75" D.J. POLY HOSE
BED 2	500' OF 2.50" D.J. POLY HOSE
BED 3	1000' OF 5.00" D.J. POLY HOSE
BED 4	250' OF 1.75" D.J. POLY HOSE



CUSTOMER APPROVAL

APPROVED BY: _____
DATE: _____



JOB NO. 38093

SCALE 1:24 DATE

REV	DATE	BY	CH	IMPEL	DWG NO.
-	-	-	-	-	-

TITLE	FOR	DWG NO.
Pierce Pumper Approval Drawing	Town of Sheboygan	38093AD

DRAWN BY	CHECKED BY	SHEET SIZE	SHEET NO.
MMF	COL	D	1 OF 1