

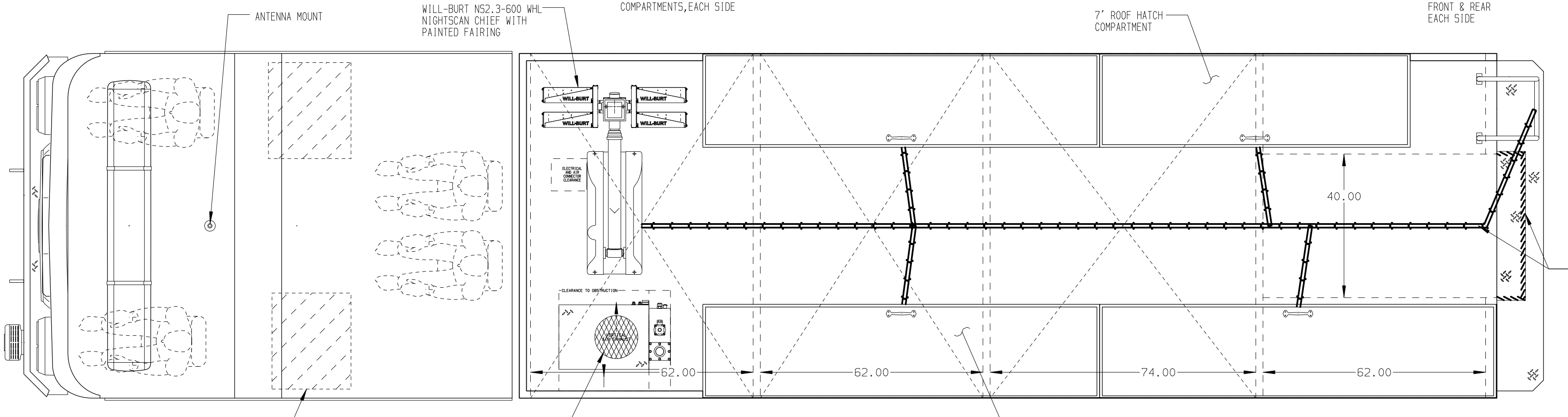
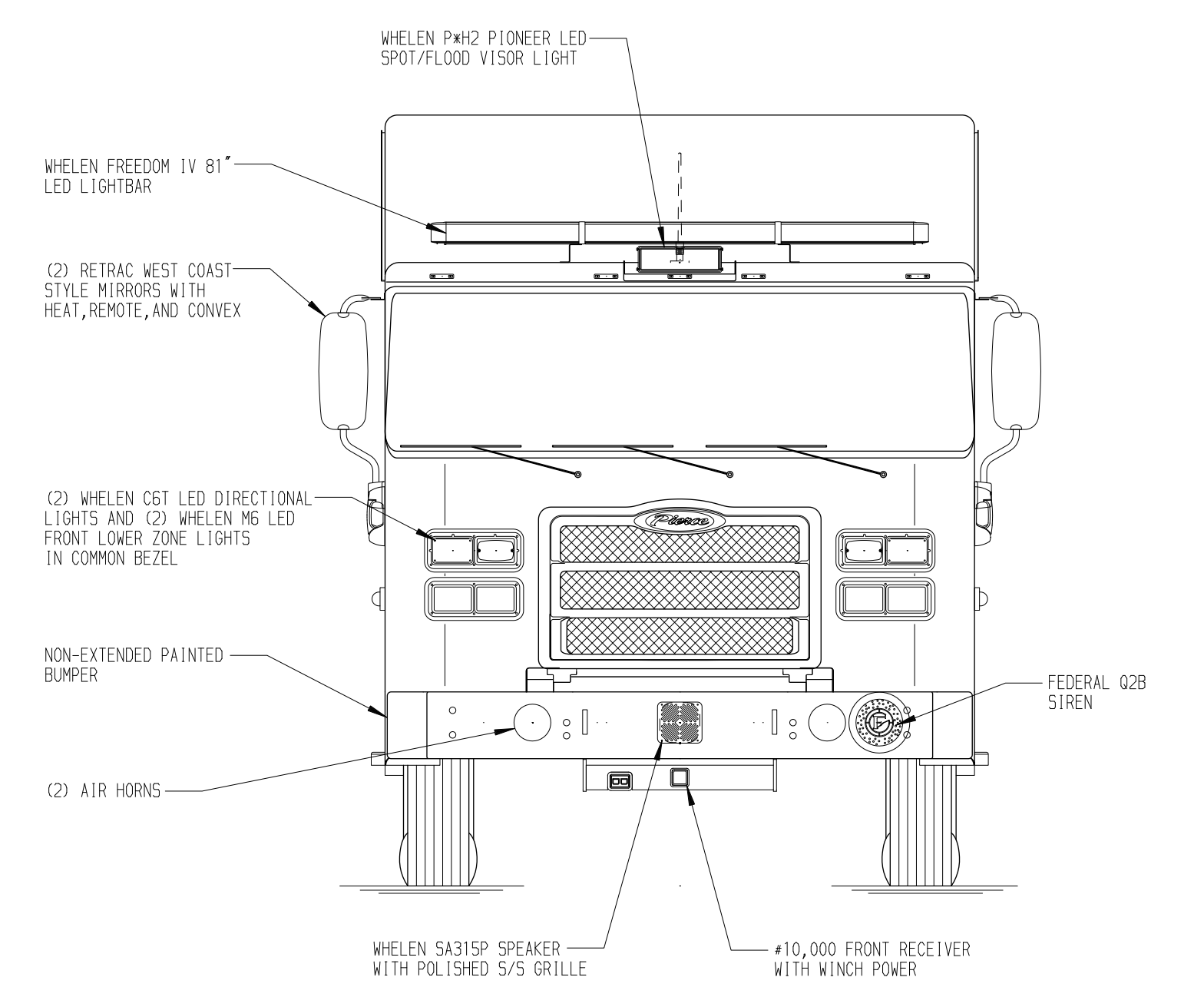
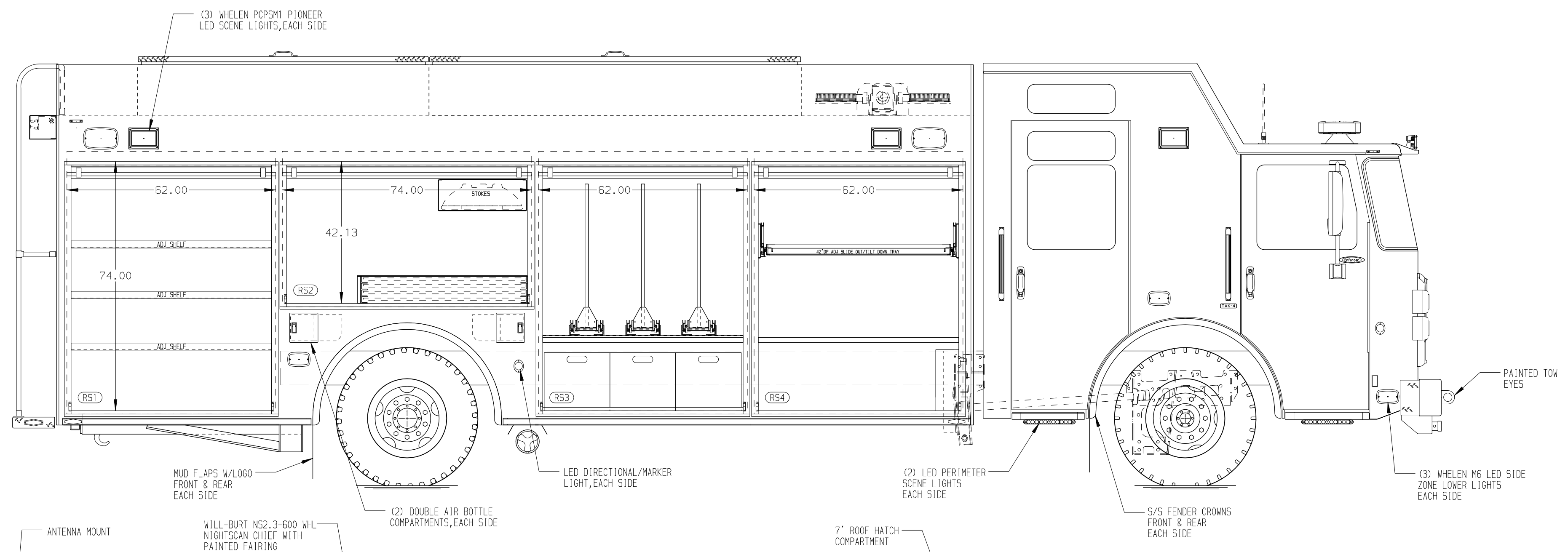
RIGHT SIDE COMPARTMENTS CONTAIN THE FOLLOWING:

COMPARTMENT RS1 CONTAINS:
 - (3) STD DEPTH ADJ SHELVES
 -

COMPARTMENT RS2 CONTAINS:
 - (1) STOKES BASKET RACK
 - (1) RACK FOR 4 SHEETS OF PLYWOOD
 -

COMPARTMENT RS3 CONTAINS:
 - (3) POLY TOOL BOXES
 - (1) HORIZONTAL FLOOR EXTENSION
 - (3) 2-WAY ADJ SLIDE OUT TOOLBOARDS
 -

COMPARTMENT RS4 CONTAINS:
 - (1) CAB LIFT CONTROLLER
 - (1) HORIZONTAL FLOOR EXTENSION
 - (1) 42" DP ADJ SLIDE OUT/TILT TRAY
 - (1) 20A, 120V 6-PLACE RECEPTACLE
 -



REAR COMPARTMENT CONTAINS THE FOLLOWING:

COMPARTMENT B1 CONTAINS:
 - (1) 58" DP ADJ SLIDE OUT TRAY
 - (1) 58" DP FLOOR MTD SLIDE OUT TRAY
 - (1) ELECTRIC CORD REEL WITH 200' OF 10/3 BLACK CORD
 -

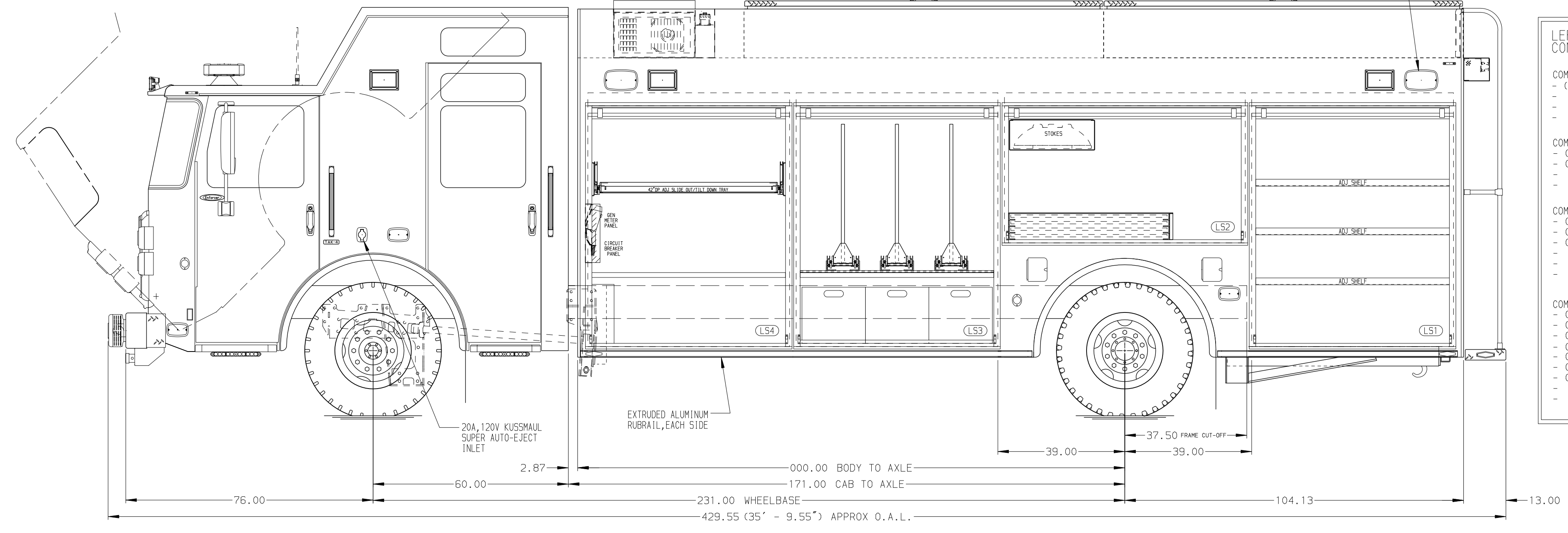
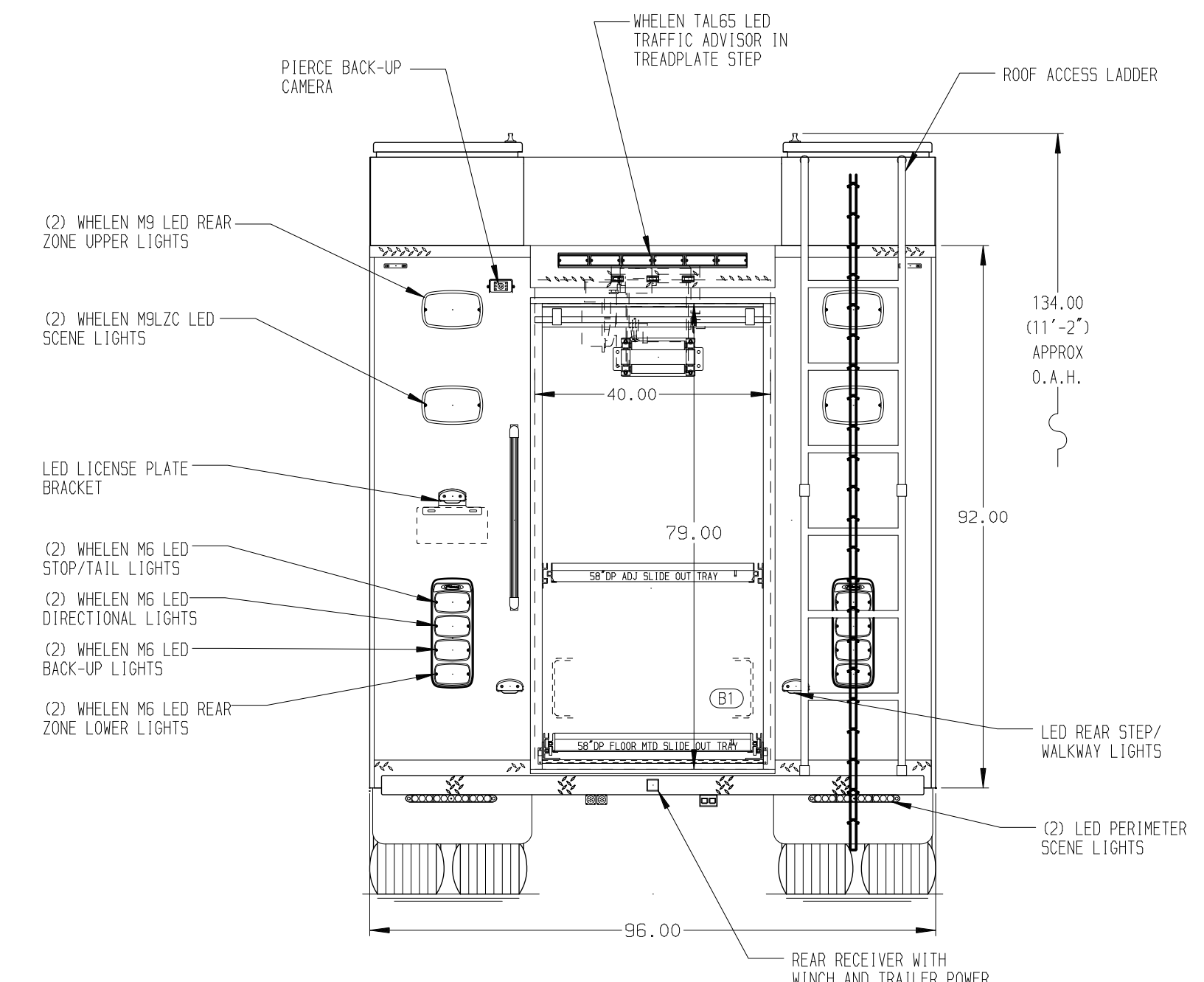
LEFT SIDE COMPARTMENTS CONTAIN THE FOLLOWING:

COMPARTMENT LS1 CONTAINS:
 - (3) STD DEPTH ADJ SHELVES
 -

COMPARTMENT LS2 CONTAINS:
 - (1) STOKES BASKET RACK
 - (1) RACK FOR 4 SHEETS OF PLYWOOD
 -

COMPARTMENT LS3 CONTAINS:
 - (3) POLY TOOL BOXES
 - (1) HORIZONTAL FLOOR EXTENSION
 - (3) 2-WAY ADJ SLIDE OUT TOOLBOARDS
 -

COMPARTMENT LS4 CONTAINS:
 - (1) PROGRESSIVE DYNAMICS CHARGER/CONVERTER
 - (1) HORIZONTAL FLOOR EXTENSION
 - (1) 42" DP ADJ SLIDE OUT/TILT TRAY
 - (1) CIRCUIT BREAKER PANEL
 - (1) GENERATOR METER PANEL
 - (1) NIGHTSCAN CONTROLLER
 - (1) 20A, 120V 6-PLACE RECEPTACLE
 -



NOTE
 DIMENSIONS SHOWN ARE APPROXIMATE AND ARE SUBJECT TO MINOR DEVIATIONS AS MAY OCCUR OR BE NECESSARY IN CONSTRUCTION. MINOR DETAILS NOT SHOWN.

- NOTES:**
- KUSSMAUL BRAKE SYSTEM AIR COMPRESSOR LOCATED BEHIND THE DRIVER'S SEAT
 - FLOOR IN CAB AND CREW CAB TO BE PADDED RUBBER
 - SIGTRONICS 4-POSITION INTERCOM SYSTEM
 - PIERCE DUAL LED LIGHT STRIPS IN ALL BODY AND HATCH COMPARTMENTS
 - TURTLE TILE MATTING ON ALL COMPARTMENT SHELVES AND TRAYS

CUSTOMER APPROVAL
 APPROVED BY: _____
 DATE: _____



JOB NO.	38103
SCALE	1:24
DATE	
DRAWN BY	DHE
CHECKED BY	CDK
SHEET SIZE	SHEET NO.
D	1 OF 1

CLEAR DOOR WIDTH KEY		CHASSIS DATA	TITLE
AMDR ROLL UP DOORS:	-2 1/4"	MAKE	ENCORE RESCUE VEHICLE
CORTITE ROLL UP DOORS:	-2 1/2"	PIERCE	62.62.74.62
PIERCE DOUBLE LAP DOORS:	-4 1/4"	MODEL	BETTENDORF FIRE DEPARTMENT
PIERCE LIFT-UP LAP DOORS:	-1 1/2"	EN6024	BID #708 SCHOLZ, DUSTIN
(EX: 60" F-F - 2 1/4" = 57 3/4" CLEAR) (F-F) = FRAME TO FRAME		REV	DWG NO.
		DATE	38103AD
		BY	
		CH	