

PUMPER BODY

Long Aluminum 2nd Gen Pumper

CHASSIS

Sober FR Chassis

CHASSIS AXLE, FRONT, CUSTOM

18,000 Lb Dana Axle

AXLE, REAR

27,000 Lb Dana Axle

ENGINE

450 HP Cummins L9 Engine

TRANSMISSION

Allison 5th Gen, 3000 EVS P

BUMPER

19" Extended Stainless Steel

CAB

6010 Sober FR Cab

BODY

WATER TANK

1000 Gallon Poly Water Tank

COMPT, PUMPER, REAR

Flush Rear Tool Compartment

COMPT, PUMPER, LEFT SIDE

161" RollUp Full Height Front & Rear FDLER

COMPT, PUMPER, RIGHT SIDE

161" RollUp Full Height Front & Rear FDLER

FIRE SUPPRESSION PUMPHOUSE

38" Control Zone Side Mount

PUMP

1250 GPM Waterous CSU

CROSSLAYS, 1.50"

1.50" Crosslays Not Required

CROSSLAYS, 2.50"

(1) 2.50" Standard Capacity

SPEEDLAYS

Speedlays Not Required

GENERATOR

Generator Not Required

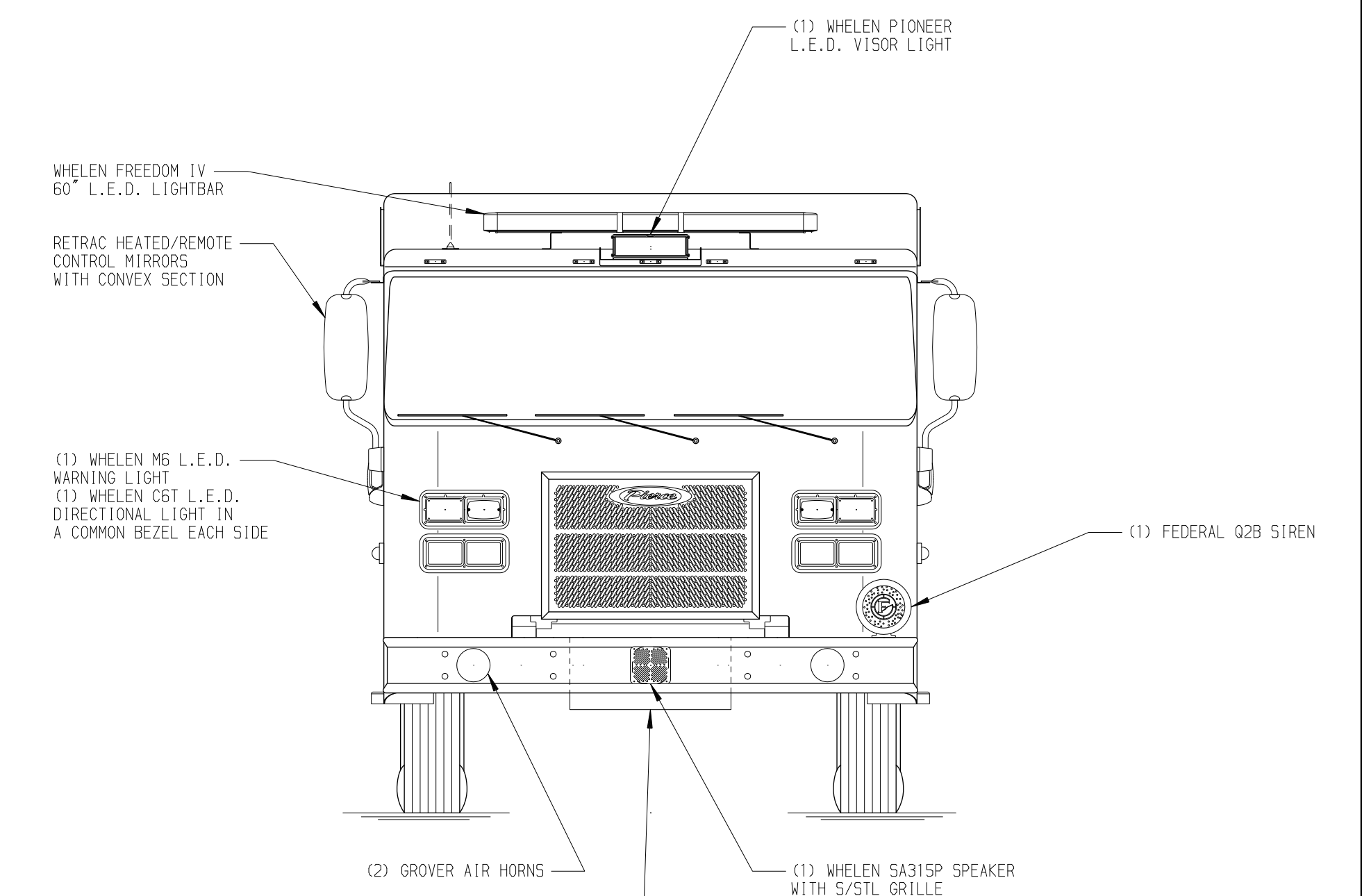
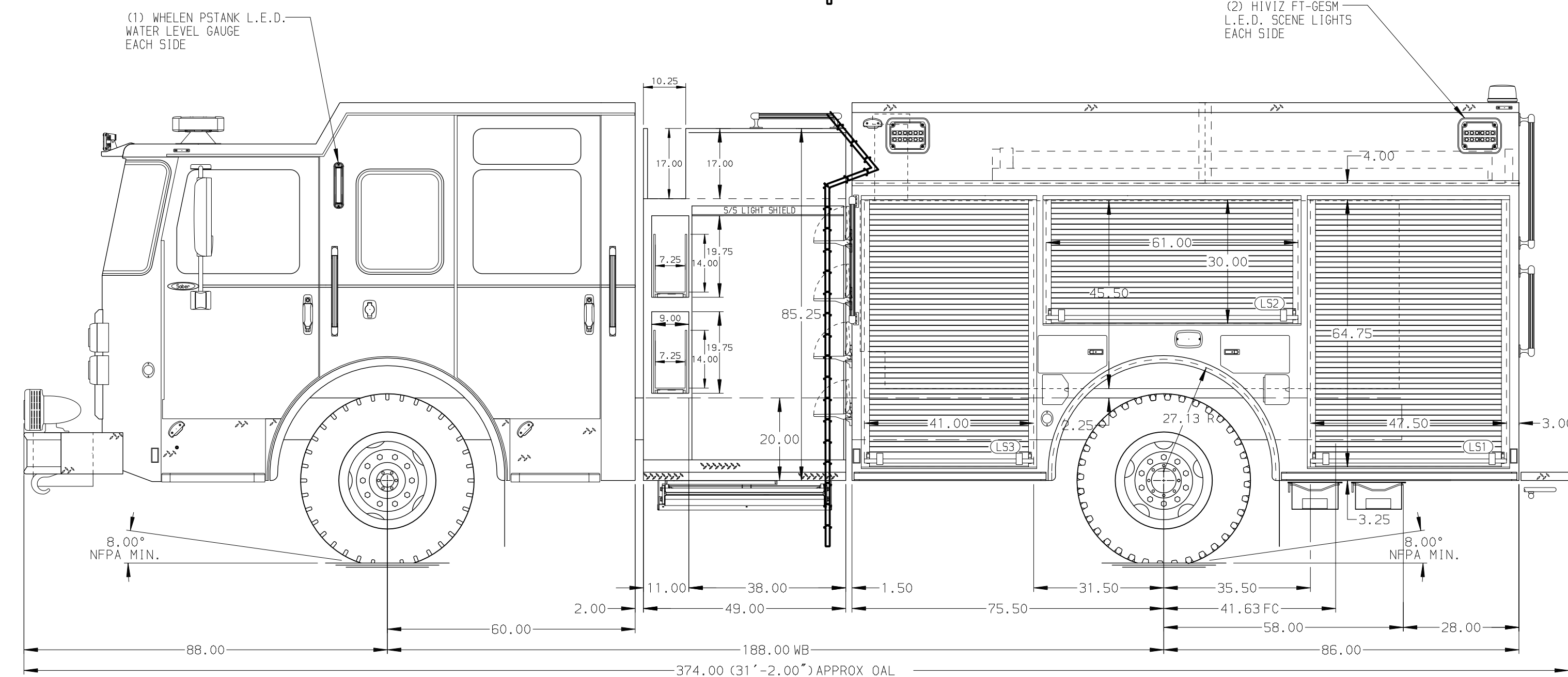
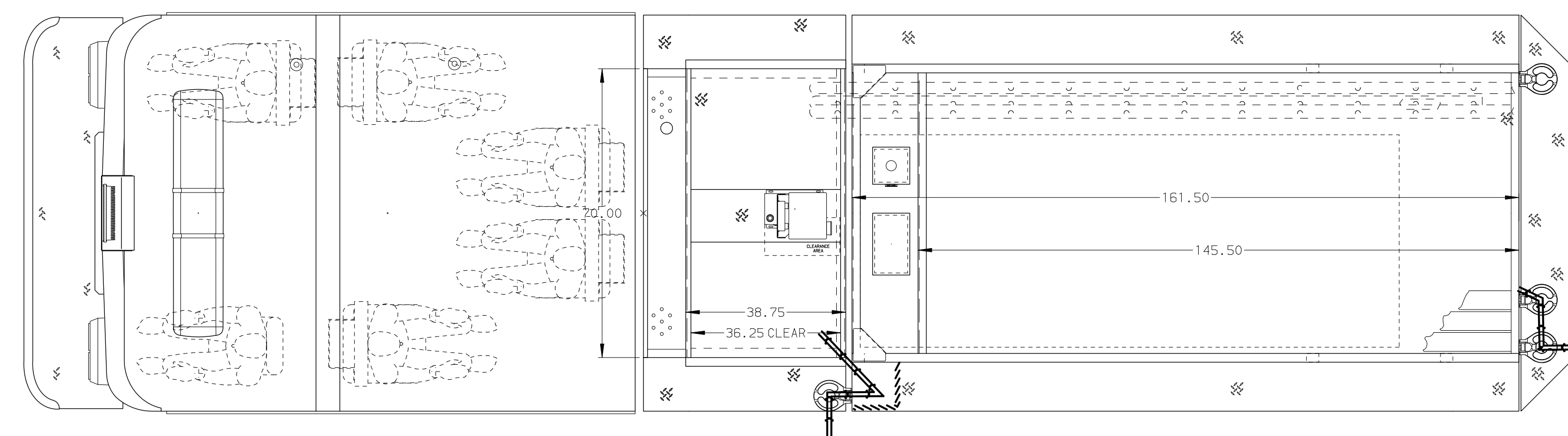
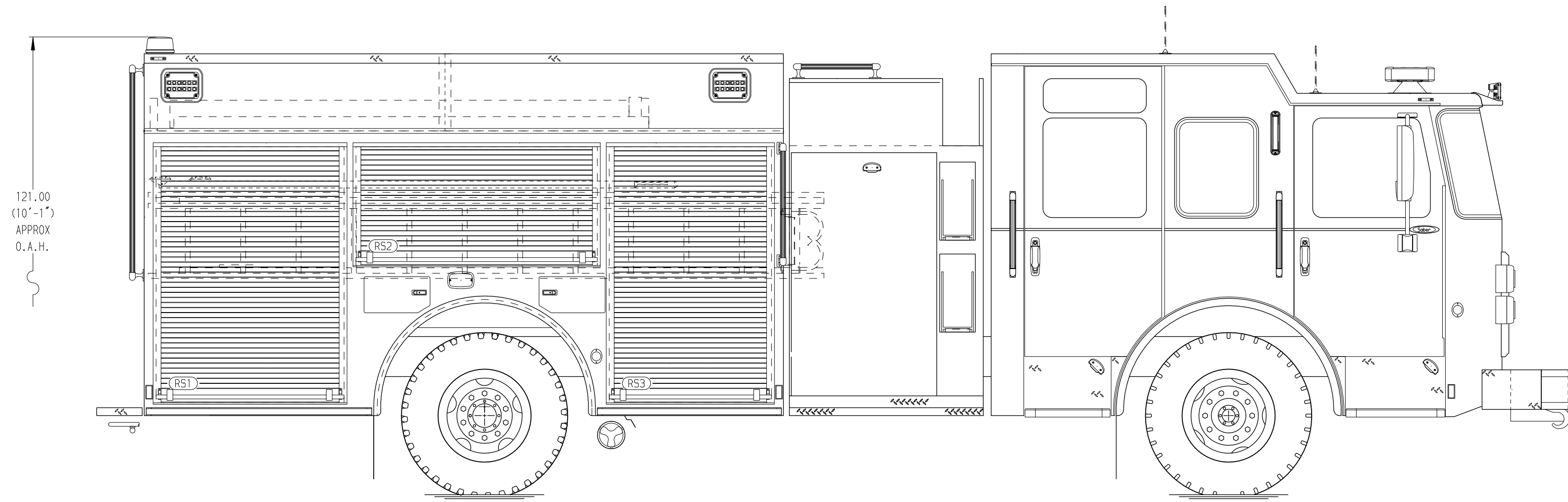
Foam System

Husky 3 Single Agent Foam System

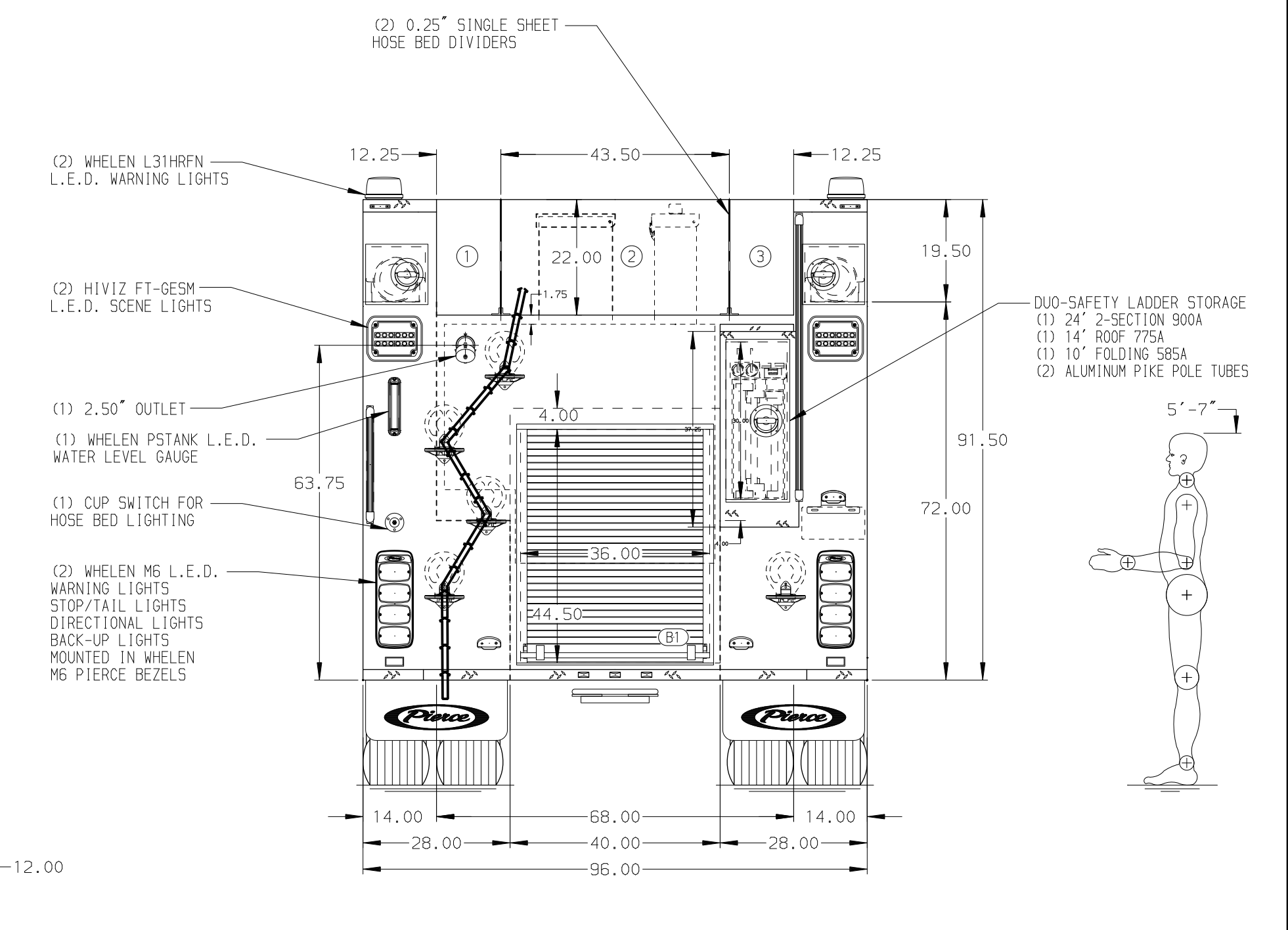
Foam Cell

20 Gallon Foam Cell, Not Reduced Water

121.00
(10'-1")
APPROX
O.A.H.



HOSEBED CAPACITY	
BED 1	500' OF 3.00" D.J. POLY HOSE
BED 2	1000' OF 5.00" D.J. POLY HOSE
BED 3	500' OF 3.00" D.J. POLY HOSE



MAXIMUM O.A.H. - 121.00"

CUSTOMER APPROVAL

APPROVED BY: _____
DATE: _____



JOB NO. 38120
SCALE 1:24
DATE

CHASSIS DATA	TITLE	Pierce Pumper Approval Drawing
MAKE	FOR	Mason Volunteer Fire Department
PIERCE		
MODEL	DWG NO.	38120AD
SABER FR		

SHEET NO. 1 OF 1

NOTE
DIMENSIONS SHOWN ARE APPROXIMATE AND ARE SUBJECT TO MINOR DEVIATIONS AS MAY OCCUR OR BE NECESSARY IN CONSTRUCTION. MINOR DETAILS NOT SHOWN.