

**PUMPER BODY**  
Long Aluminum 2nd Gen Pumper

**CHASSIS**  
Enforcer Chassis

**CHASSIS AXLE, FRONT, CUSTOM**  
20,000 Lb Dana Axle

**AXLE, REAR**  
27,000 Lb Dana Axle

**ENGINE**  
450 HP Cummins L9 Engine

**TRANSMISSION**  
Allison 5th Gen, 3000 EVS P

**BUMPER**  
19" Extended Painted Steel

**CAB**  
7010 Enforcer Cab

**BODY WATER TANK**  
750 Gallon New York Style Water Tank

**COMPT, PUMPER, REAR**  
30.75" FF RollUp Rear Compt

**COMPT, PUMPER, LEFT SIDE**  
171" Lap Full Height Front & Rear FOLER

**COMPT, PUMPER, RIGHT SIDE**  
171" Lap Full Height & Depth Front, Full Height Rear FOLER

**FIRE SUPPRESSION PUMPHOUSE**  
52" Control Zone Side Mount

**PUMP**  
1500 GPM Waterous CSU

**CROSSLAYS, 1.50"**  
(2) 1.50" Standard Capacity

**CROSSLAYS, 2.50"**  
(1) 2.50" Standard Capacity

**SPEEDLAYS**  
Speedlays Not Required

**GENERATOR**  
Generator Not Required

**Foam System**  
Foam System Not Required

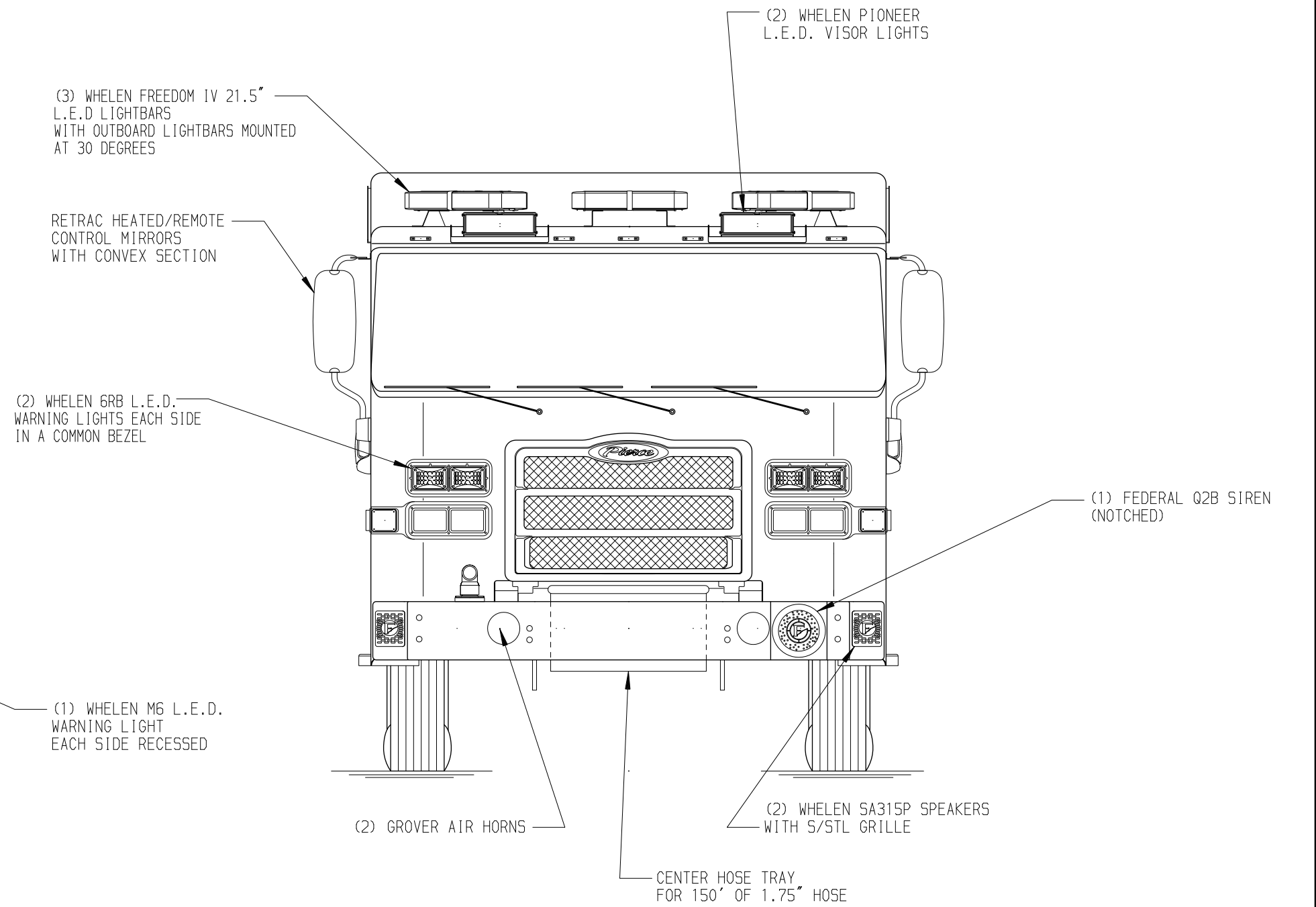
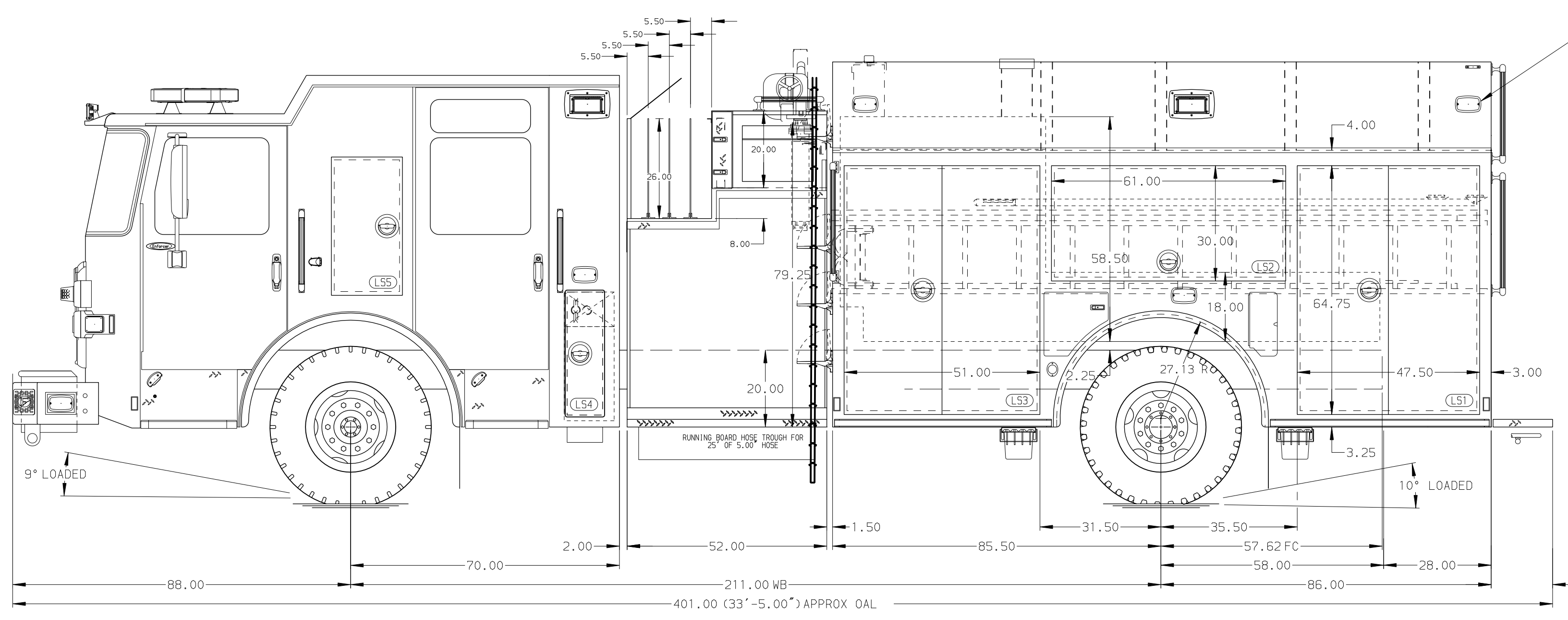
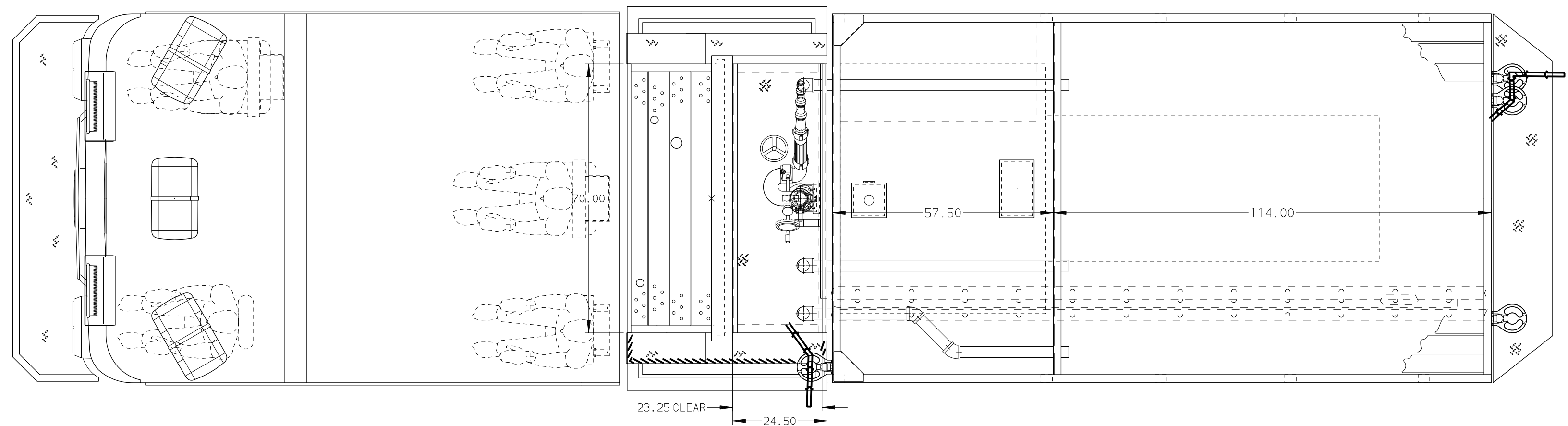
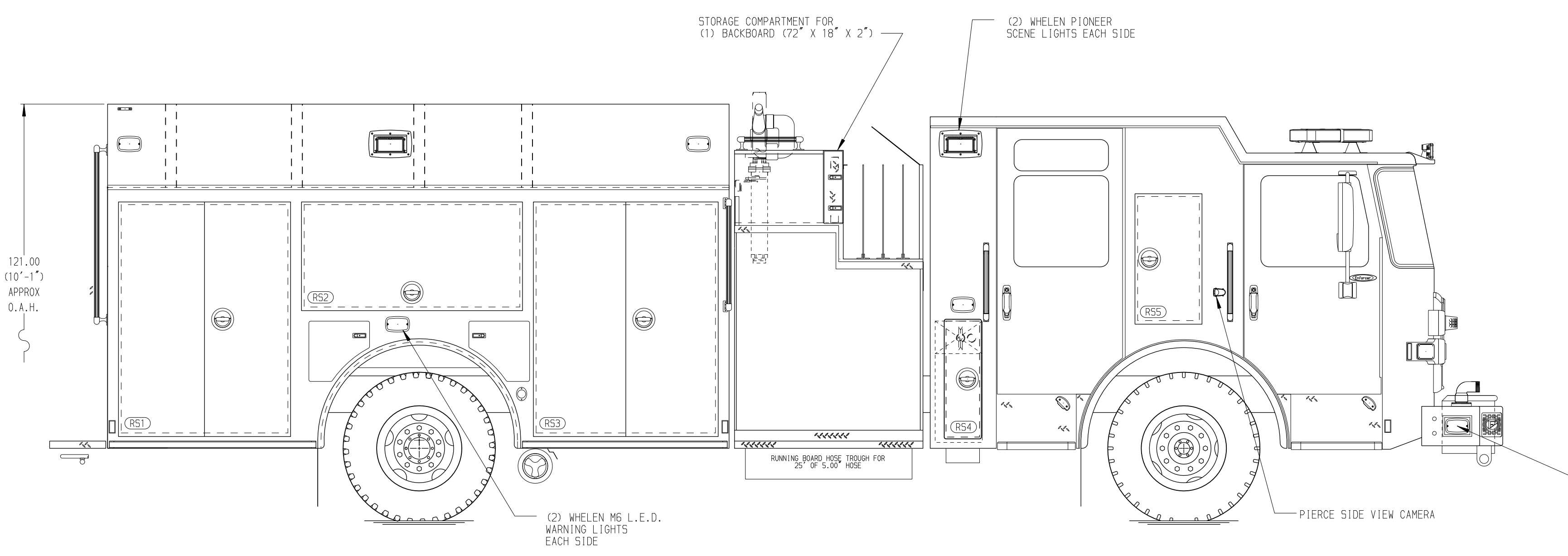
**Foam Cell**  
30 Gal Foam Cell Not Reduce Water

Side Roll and Frontal Impact Protection

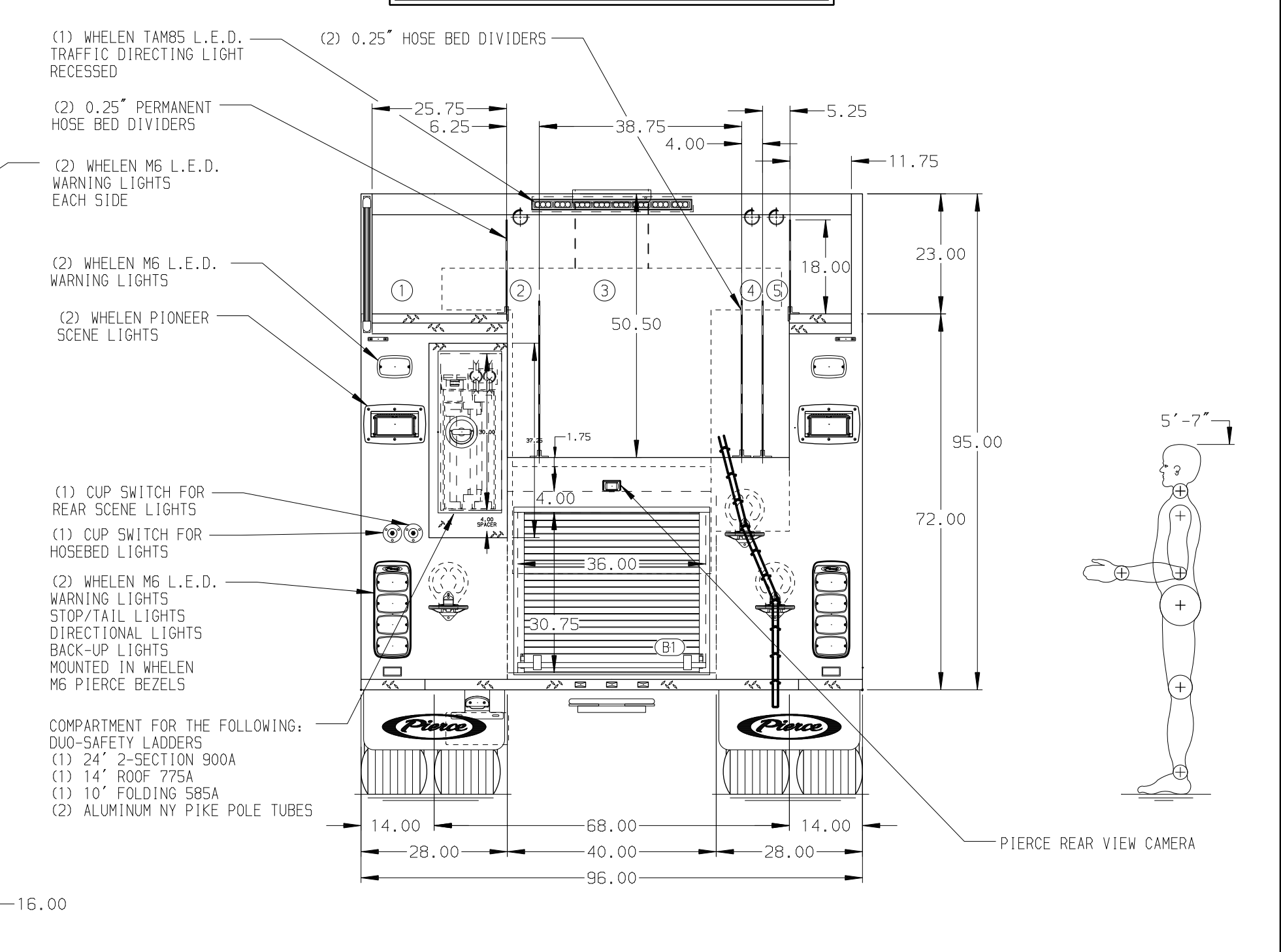
**NOTE**  
DIMENSIONS SHOWN ARE APPROXIMATE AND ARE SUBJECT TO MINOR DEVIATIONS AS MAY OCCUR OR BE NECESSARY IN CONSTRUCTION. MINOR DETAILS NOT SHOWN.

1. ONE 2.50" OUTLET WITH 2.50" PIPING AND SHIVEL LOCATED ON TOP BUMPER RIGHT SIDE
2. SHORELINE RECEPTACLE WITH KISSMALL SUPER AUTO-EJECT LOCATED ON DRIVER SIDE SEAT RISER
3. AIR INLET WITH DISCONNECT COUPLING IN THE DRIVER SIDE STEPMELL
4. BATTERY CHARGER LOCATED IN COMPARTMENT PER SHOP ORDER
5. BATTERY CHARGE INDICATOR LOCATED ON THE DRIVER SIDE SEAT RISER
6. SIX ADJUSTABLE SHELVES IN COMPARTMENTS PER SHOP ORDER
7. THREE FLOOR MOUNTED SLIDE-OUT TRAY IN COMPARTMENT PER SHOP ORDER
8. ONE SLIDE OUT TRAY IN COMPARTMENT PER SHOP ORDER
9. TWO TILT/SLIDE-OUT TRAYS IN COMPARTMENT PER SHOP ORDER
10. TWO SINGLE HAND OPERATION CABLES IN COMPARTMENT PER SHOP ORDER

11. TWO PARTITIONS IN COMPARTMENT PER SHOP ORDER
12. SILL PLATE SPACER IN COMPARTMENT PER SHOP ORDER



HOSEBED CAPACITY	
<b>BED 1</b>	500' OF 3.00" D.J. POLY HOSE
<b>BED 2</b>	300' OF 3.00" D.J. POLY HOSE
<b>BED 3</b>	1000' OF 5.00" MERCEDES HOSE
<b>BED 4</b>	400' OF 1.75" D.J. POLY HOSE
<b>BED 5</b>	300' OF 2.50" D.J. POLY HOSE



CUSTOMER APPROVAL				
APPROVED BY: _____				
DATE: _____				
CHASSIS DATA	TITLE	Pierce Pumper Approval Drawing		
MAKE	FOR	Henrietta Fire District		
PIERCE	DWG NO.	38123AD		
MODEL	NO.	D		
ENFORCER		1 OF 1		

Pierce MANUFACTURING INC.		JOB NO.	38123
SCALE	1:24	DATE	
DRAWN BY	MMF		20APR22
CHECKED BY	COL		25APR22
SHEET SIZE	D	SHEET NO.	1 OF 1