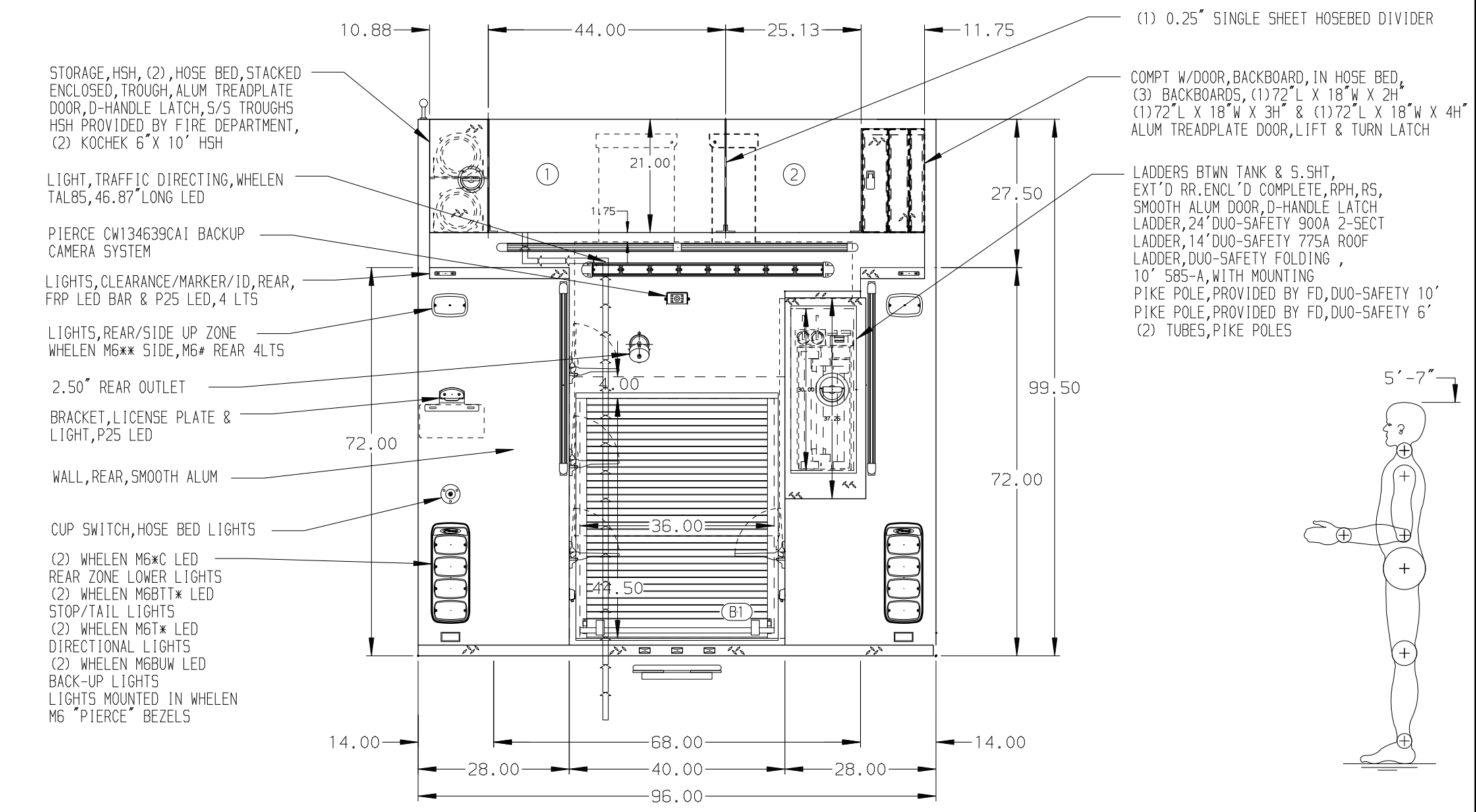
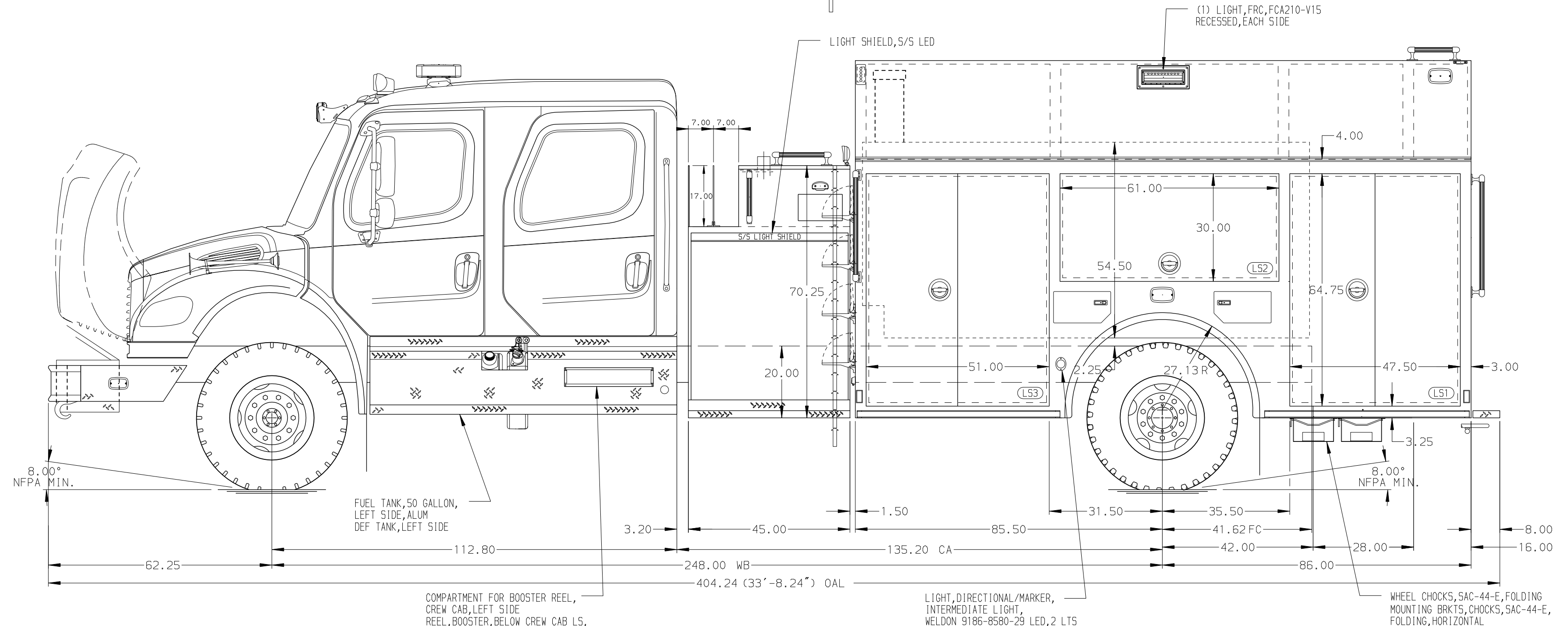


HOSEBED CAPACITIES

① 400' OF 2.50" D.J. POLY HOSE

② 1200' OF 3.00" D.J. POLY HOSE



ALUMINUM BODY

NOTE
DIMENSIONS SHOWN ARE APPROXIMATE AND ARE SUBJECT TO MINOR DEVIATIONS AS MAY OCCUR OR BE NECESSARY IN CONSTRUCTION. MINOR DETAILS NOT SHOWN.

		JOB NO.	38126
		SCALE	DATE
1:24		DRAWN BY	JLA
		CHECKED BY	AJA
		SHEET SIZE	SHEET NO.
		D	1 OF 1

CHASSIS DATA	TITLE	1250-D-1000P, 980 WATER, 20 FOAM 171", LS FL HGT & DPTH RS FL HGT FRT & RRR FDLER, 45" SD CNTRL, (2) 1.5" CROSSLAYS	
MAKE	FOR	ASH FLAT FD AR	
FL		ASH FLAT, ARKANSAS	
MODEL	DWG NO.	38126AD	
REV	DATE	BY	CH
			M2-106