

# Pumper, PUC

BODY  
Pumper, PUC, Aluminum  
CHASSIS  
Impel Chassis, PUC

## CHASSIS

AXLE, FRONT, CUSTOM  
19,500 Lb Meritor Axle  
AXLE, REAR  
31,000 Lb Meritor Axle

### ENGINE

450 HP Cummins L9 Engine

### TRANSMISSION

Allison 6th Gen, 3000 EVS P

### BUMPER

22" Extended Painted Steel

### CAB

7010 Impel FR Cab, PUC

## BODY

### WATER TANK

730 Gallon Poly Water Tank

### COMPT, PUMPER, REAR

29.50" FF RollUp Rear Compt w/Tailboard, PUC

### COMPT, PUMPER, LEFT SIDE

177" RollUp Full Height & Depth Front & Rear, PUC

### COMPT, PUMPER, RIGHT SIDE

177" RollUp Full Height & Depth Front & Rear, PUC

## FIRE SUPPRESSION

### PUMPHOUSE

Control Zone, PUC

### PUMP

1500 GPM Pierce PUC

### CROSSLAYS, 1.50"

(2) 1.50", Poly Trays, 200"

### CROSSLAYS, 2.50"

(1) 2.50", Poly Tray, 200"

### GENERATOR

Generator Not Required

### Foam System

Husky 3 Single Agent Foam System

### Foam Cell

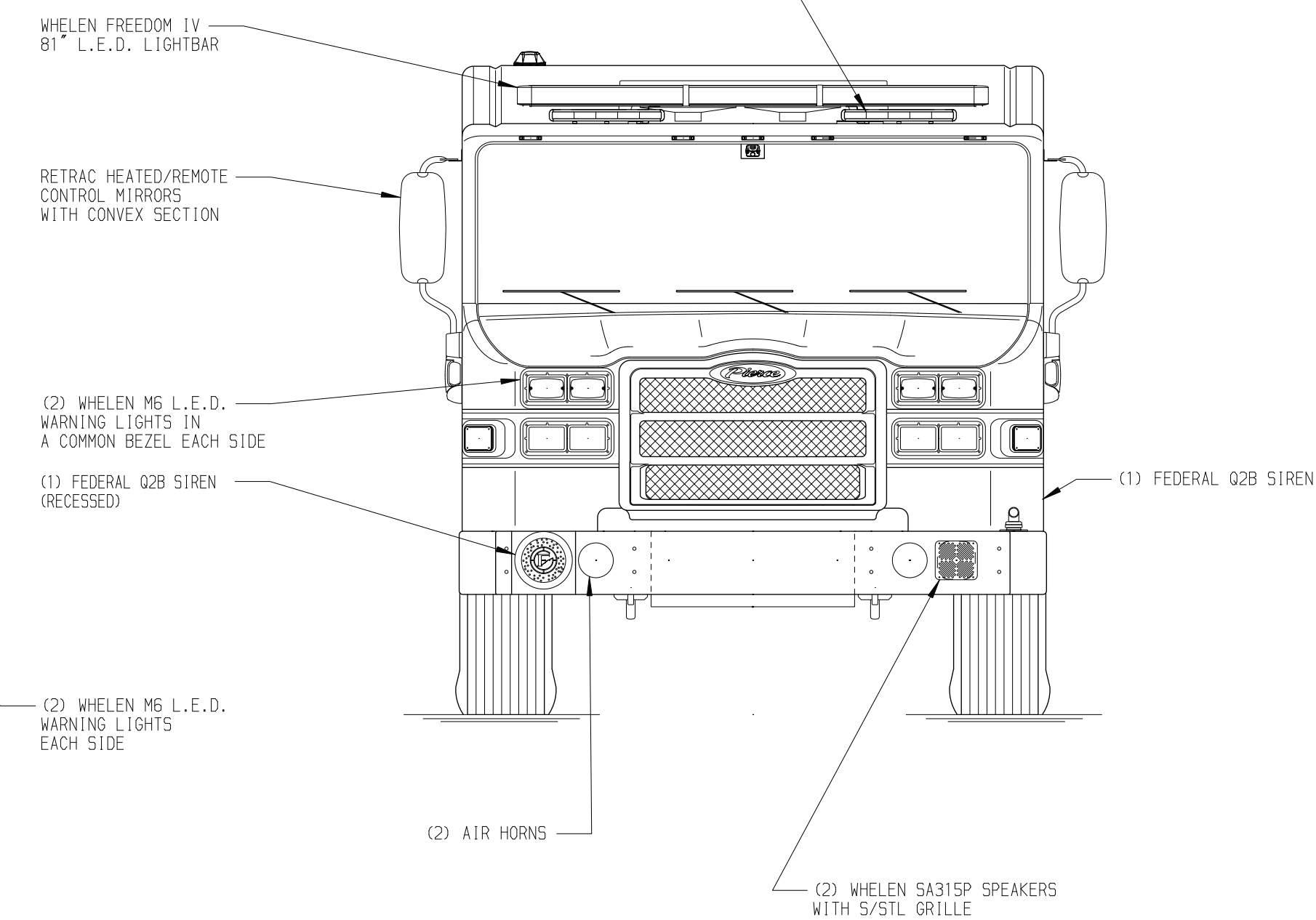
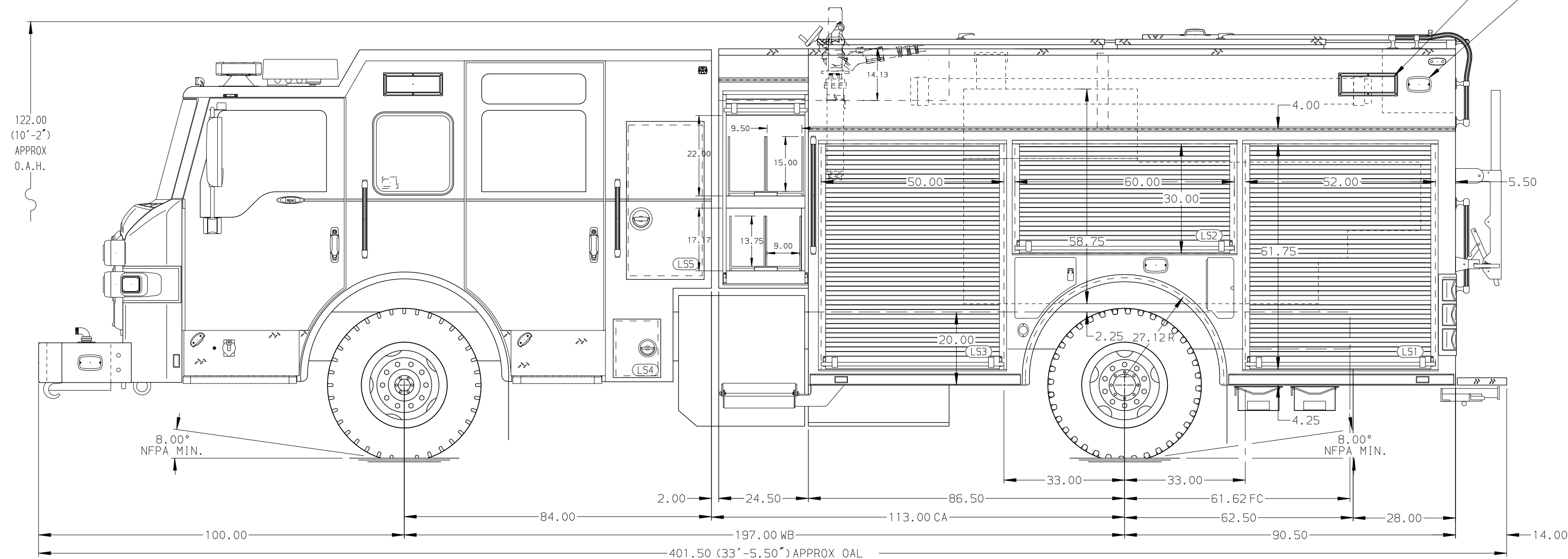
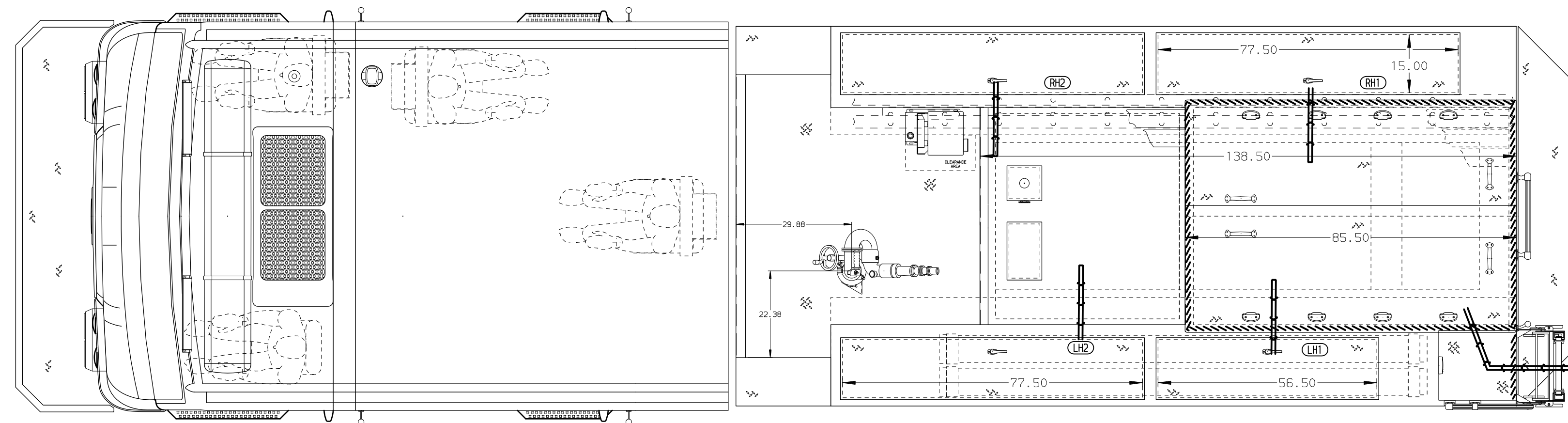
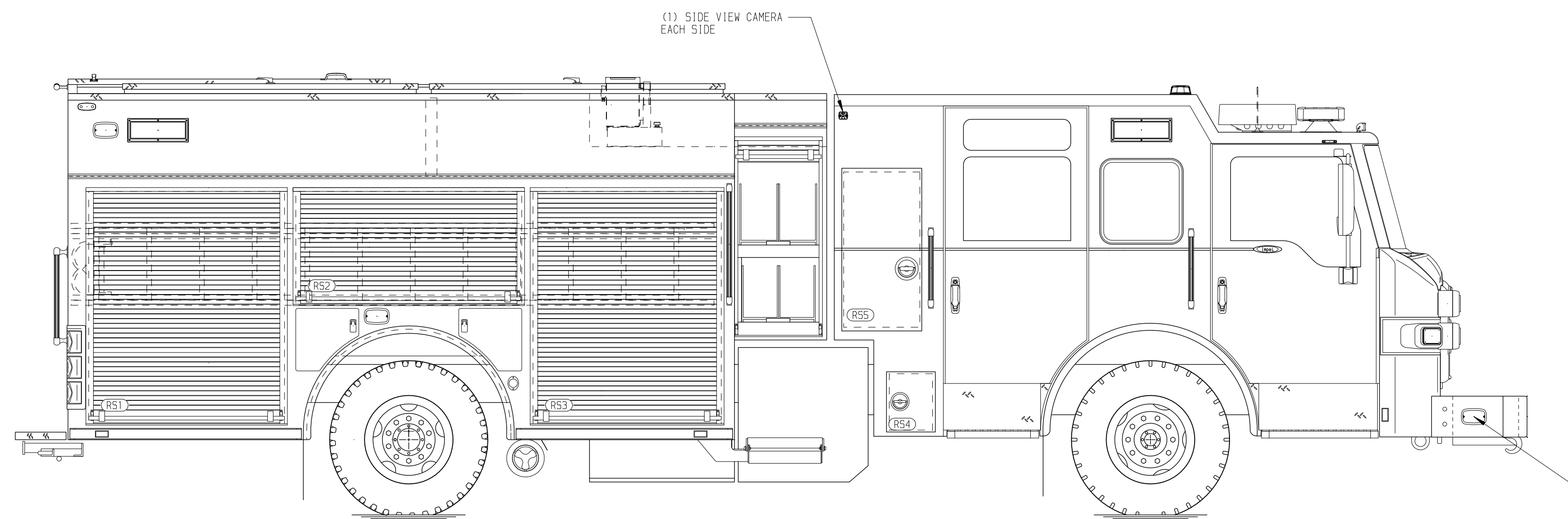
20 Gallon Foam Cell, Reduced Water, PUC

Side Roll and Frontal Impact Protection

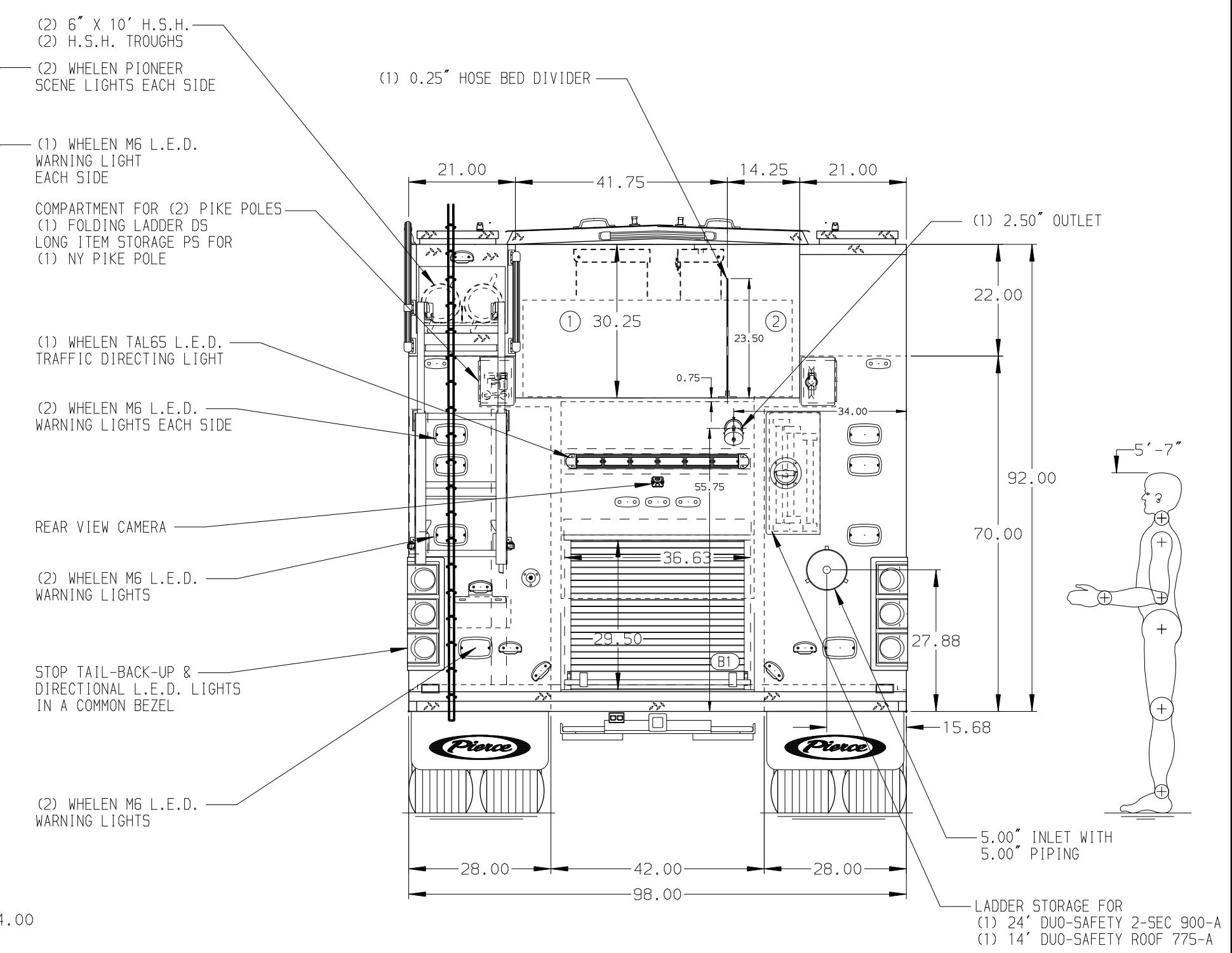
### NOTE

DIMENSIONS SHOWN ARE APPROXIMATE AND ARE SUBJECT TO MINOR DEVIATIONS AS MAY OCCUR OR BE NECESSARY IN CONSTRUCTION. MINOR DETAILS NOT SHOWN.

- ONE 1.50" OUTLET WITH 2.00" PIPING AND SWIVEL LOCATED IN CENTER BUMPER TRAY
- SHORELINE RECEPTACLE WITH KUSSMAUL SUPER AUTO-EJECT LOCATED ON DRIVER SIDE OF THE CAB
- AIR INLET WITH DISCONNECT COUPLING IN THE DRIVER SIDE STEPWELL
- BATTERY CHARGER LOCATED PER ORDER
- BATTERY CHARGE INDICATOR LOCATED NEAR DRIVER SEAT THROUGH WINDOW
- ADJUSTABLE SHELVES LOCATED PER ORDER
- ONE FLOOR MOUNTED SLIDE-OUT TRAY LOCATED PER ORDER



HOSEBED CAPACITY	
BED 1	1000' OF 5.00" D.J. POLY HOSE
BED 2	500' OF 2.50" D.J. POLY HOSE



### CUSTOMER APPROVAL

APPROVED BY: \_\_\_\_\_  
DATE: \_\_\_\_\_



JOB NO. 38128

SCALE 1:24 DATE

CHASSIS DATA	TITLE	Pierce PUC Pumper Approval Drawing
MAKE	FOR	Neenah-Menasha Fire Rescue
PIERCE		
MODEL	DWG NO.	38128AD
INPEL FR		

DRAWN BY	MMF	29NOV22
CHECKED BY	COL	05DEC22
SHEET SIZE	D	SHEET NO. 1 OF 1