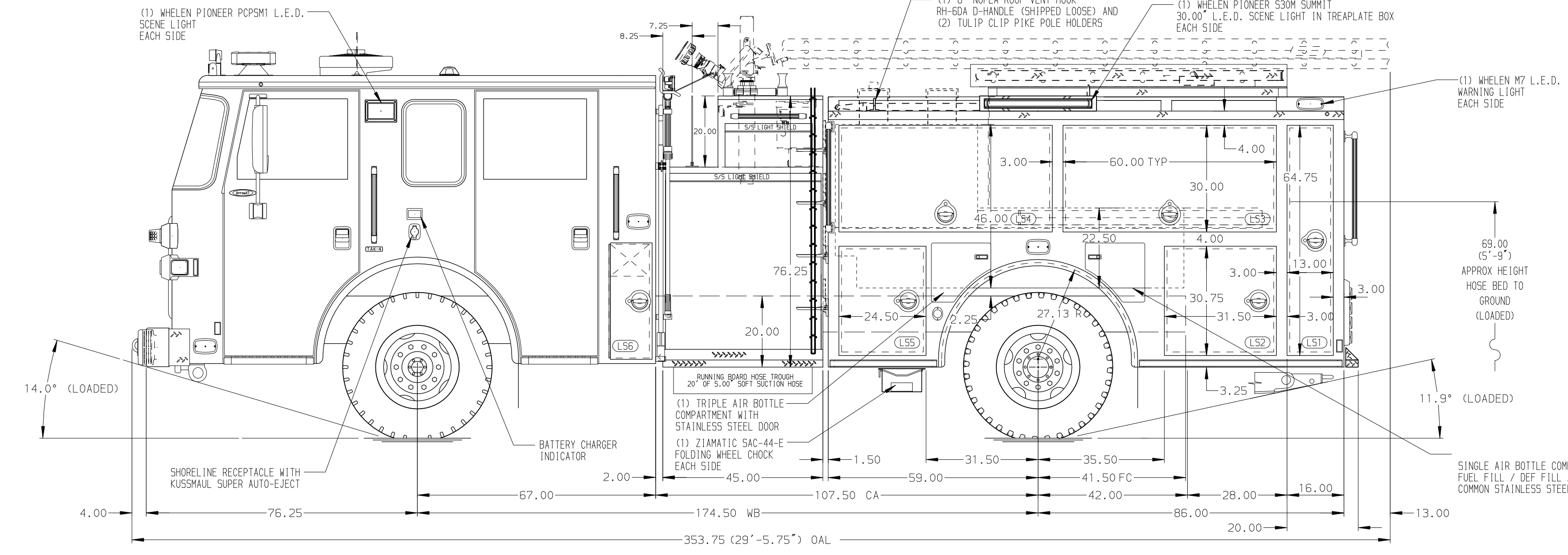
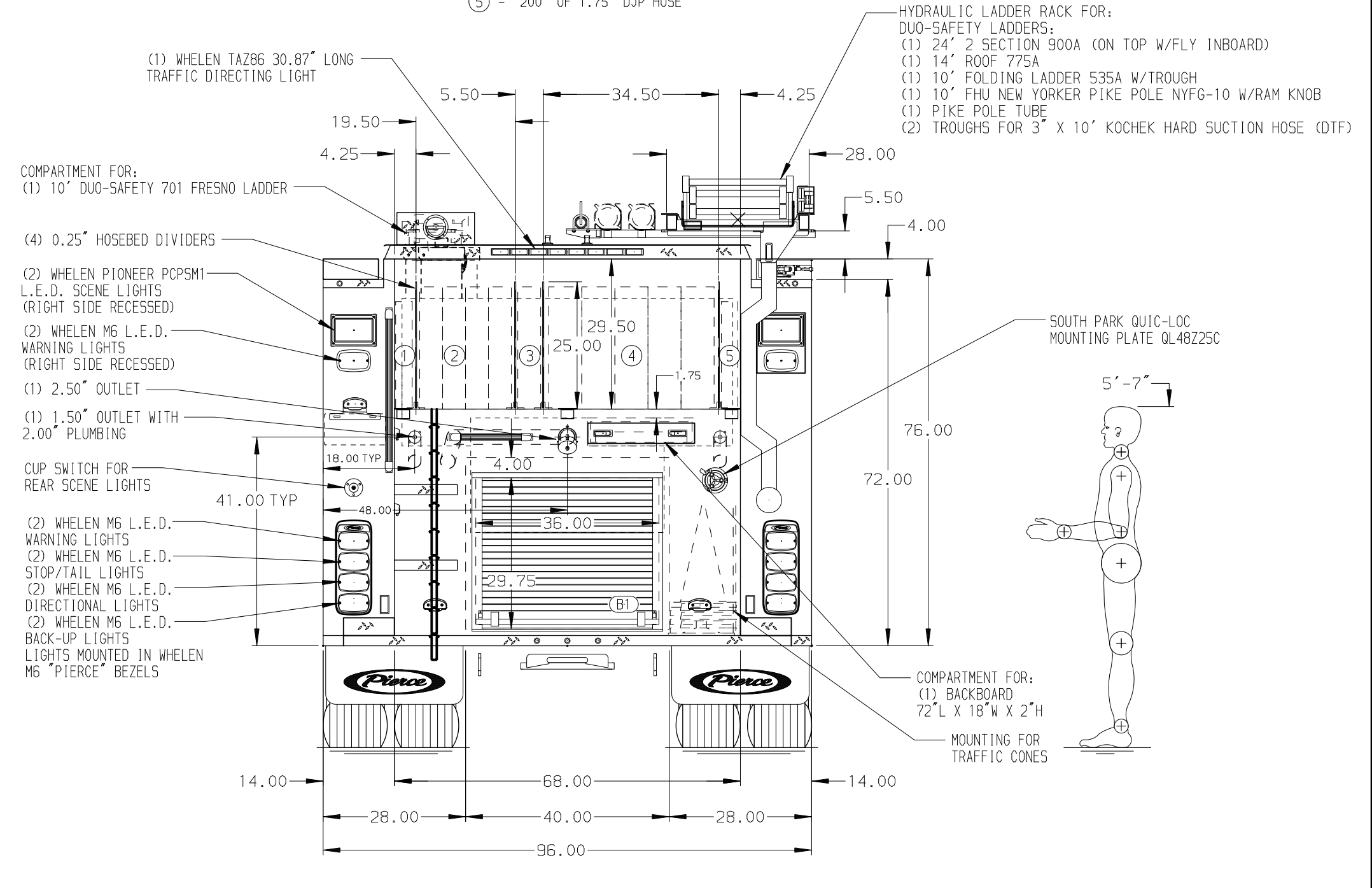


- HOSEBED CAPACITIES
- ① - 200' OF 1.75\"/>



ALUMINUM BODY

TARGET O.A.H. = 117.00"

NOTE
DIMENSIONS SHOWN ARE APPROXIMATE AND ARE SUBJECT TO MINOR DEVIATIONS AS MAY OCCUR OR BE NECESSARY IN CONSTRUCTION. MINOR DETAILS NOT SHOWN.

1. AIR INLET/OUTLET WITH DISCONNECT FITTING LOCATED AT DRIVER'S SIDE PUMP PANEL
2. BATTERY CHARGER LOCATED IN CAB SEAT RISER PER ORDER
3. JUMPER STUDS LOCATED PER ORDER
4. DUAL L.E.D. LIGHT STRIPS FOR HOSE BED LOCATED IN HOSE BED COVER PER ORDER
5. THREE P25 L.E.D. LIGHTS LOCATED IN PUMP HOSE CARGO AREA PER ORDER
6. TEN KEYPED LOCKS FOR LATCH FOR COMPARTMENTS PER ORDER
7. ELEVEN DUAL L.E.D. LIGHT STRIPS LOCATED IN COMPARTMENTS PER ORDER
8. SIX FULL WIDTH/DEPTH ADJUSTABLE SHELVES LOCATED IN COMPARTMENTS PER ORDER
9. TWO VERTICAL PARTITIONS LOCATED IN COMPARTMENTS PER ORDER
10. TEN STAINLESS STEEL SCUFFPLATES AT BOTTOM OF BODY COMPARTMENT DOOR FRAMES PER ORDER
11. TWELVE STAINLESS STEEL SCUFFPLATES INSIDE BODY COMPARTMENT DOORS PER ORDER
12. KUSSMAUL INVERTER 120V LOCATED PER ORDER
13. TWO 120V DUPLEX RECEPTACLES LOCATED PER ORDER

		JOB NO.	38133 01 & 02
		SCALE	DATE
		1:24	
REV	DATE	BY	CH
21FEB24		SAM	KZW
10JAN24		SAM	AST
08JAN24		SAM	AST
10NOV23		SAM	AST
11AUG23		SAM	WKL
TITLE	1500-D-530P, 500G WATER W/30G FOAM, 129" BODY		
FOR	(2) CROSSLAYS, HYD LADDER RACK, BOOSTER REEL, DELUGE		
	SANTA ROSA FIRE DEPARTMENT		
	SANTA ROSA, CALIFORNIA		
DWG NO.	38133AD		
CHECKED BY	SHEET NO.		
WKL	1 OF 1		