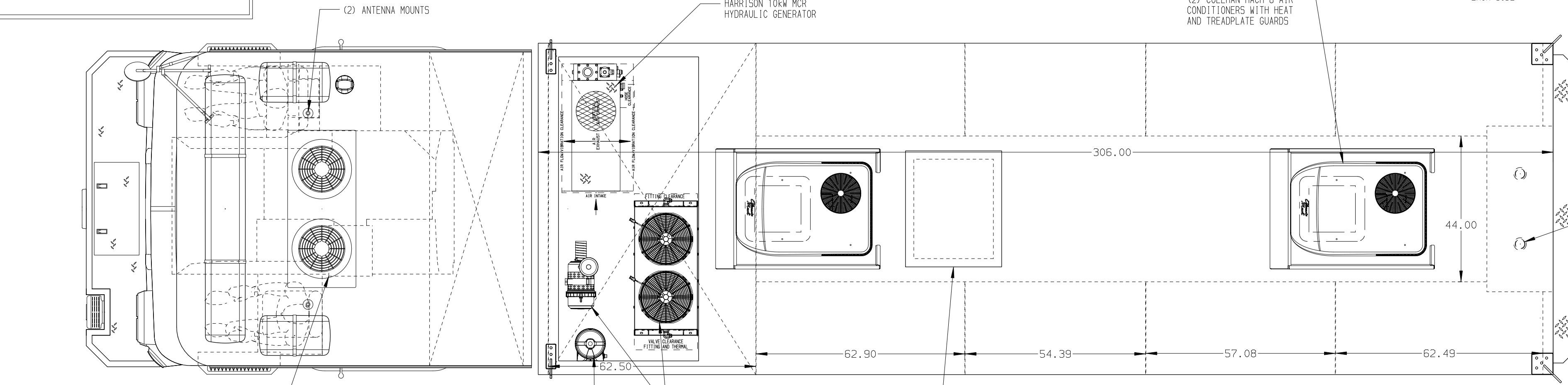
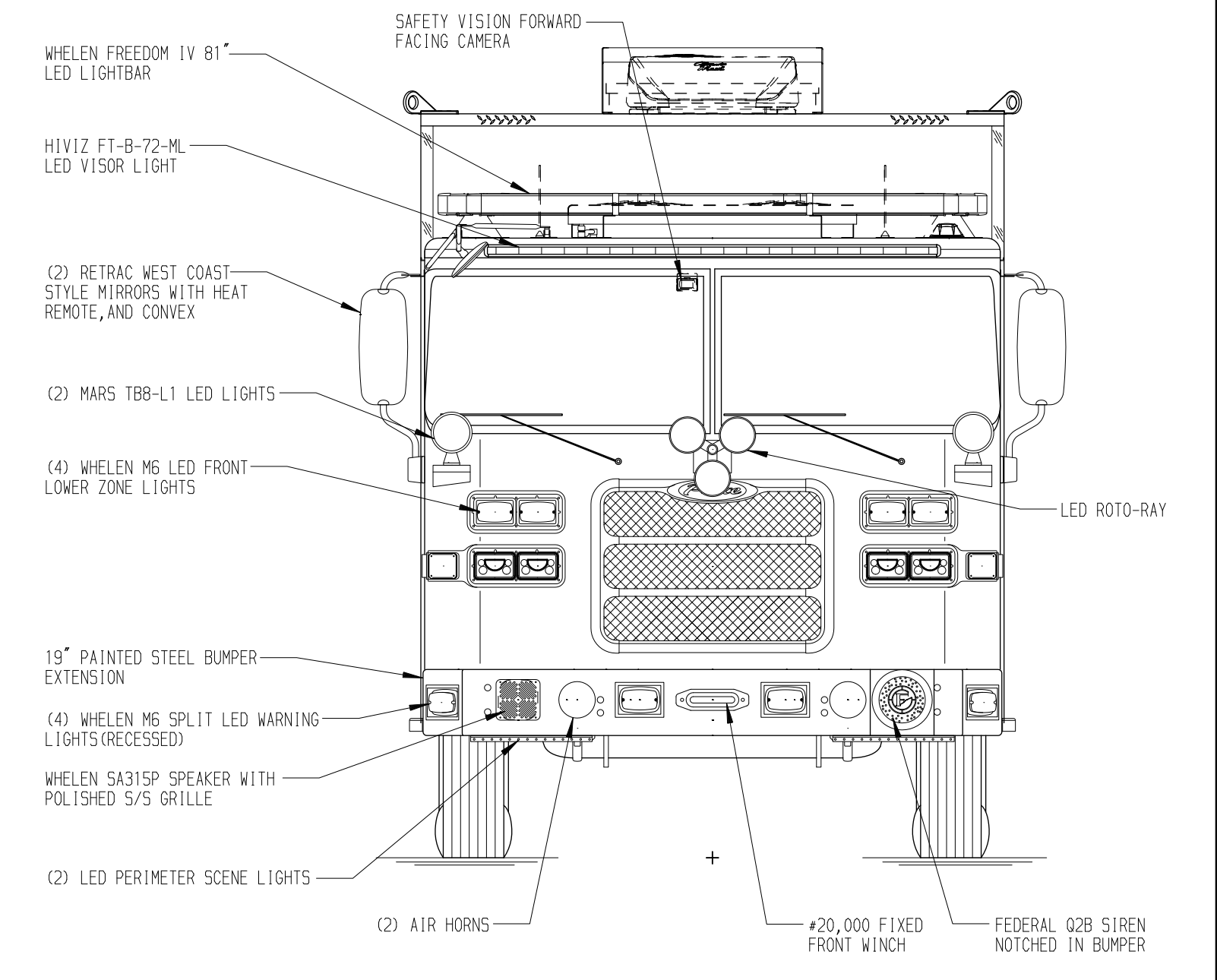
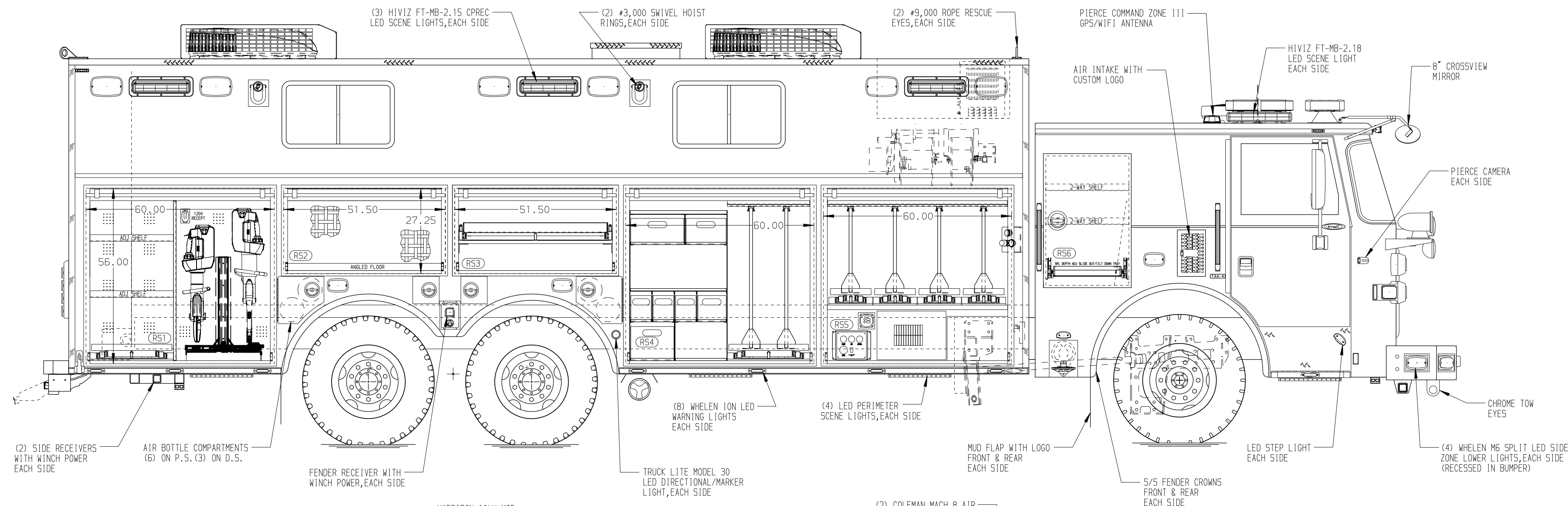


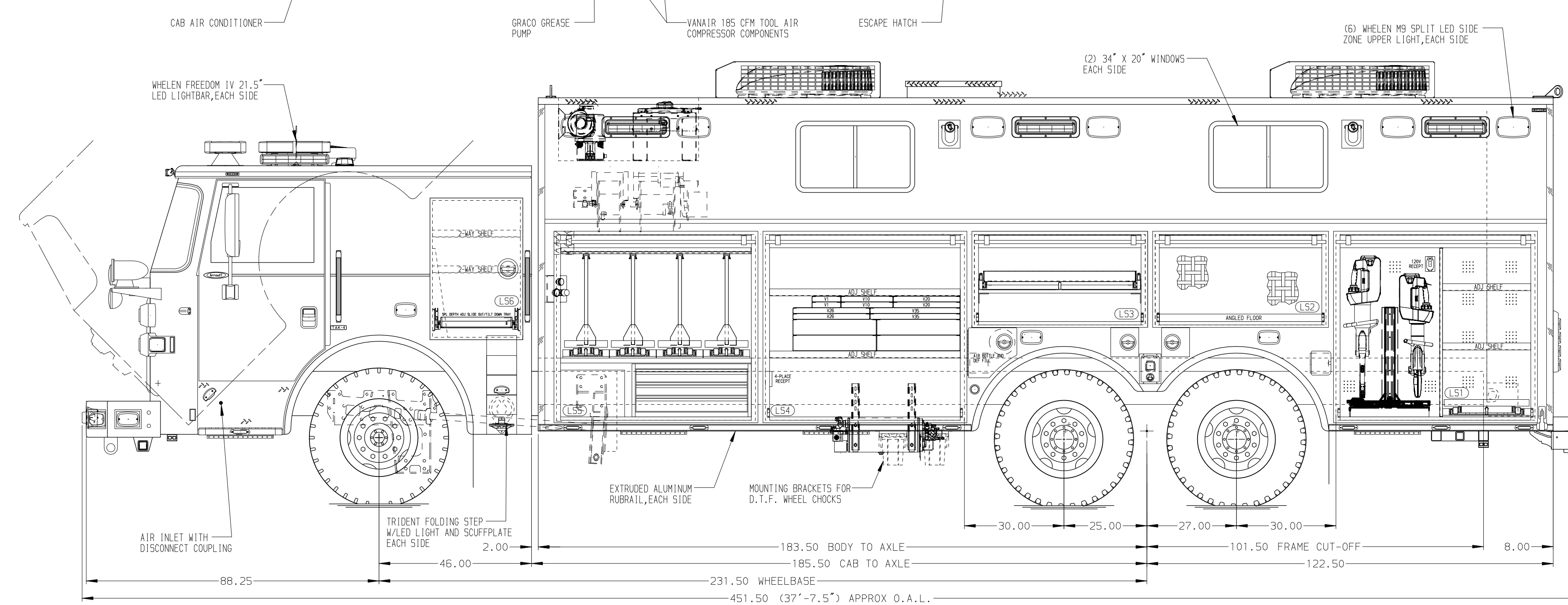
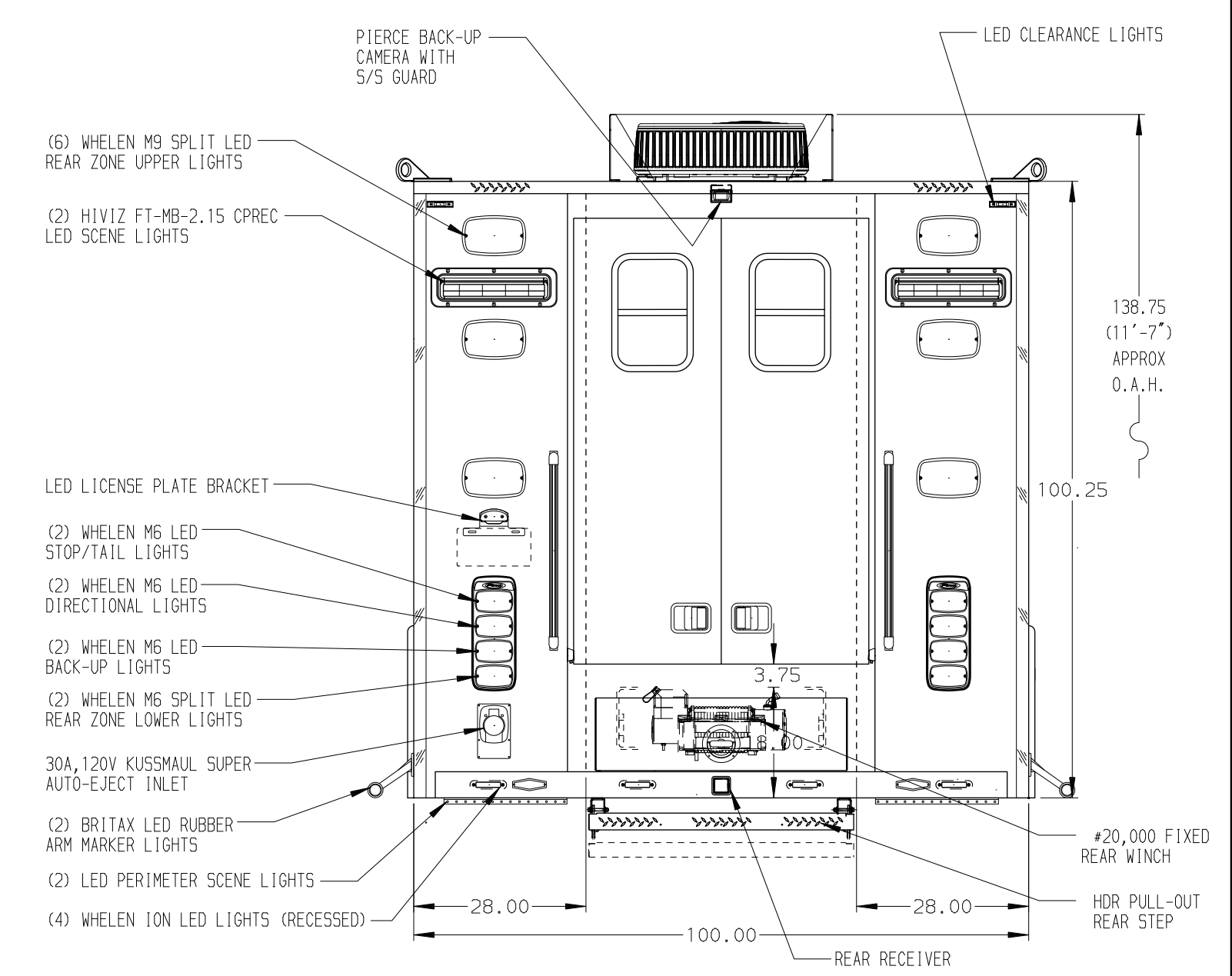
RIGHT SIDE COMPARTMENTS CONTAIN THE FOLLOWING:

- COMPARTMENT RS1 CONTAINS:
 - (1) VERTICAL COMPARTMENT DIVIDER
 - (2) STD DEPTH ADJ SHELVES (NOTCHED)
 - (1) FLOOR MTD SLIDEMASTER TRAY
 - (1) 15/20A, 120V DUPLEX RECEPTACLE
 - PEGBOARD ON BACK WALL OF COMPARTMENT
 - (1) HYDRAULIC TOOL TURN TABLE
- COMPARTMENT RS2 CONTAINS:
 - ANGLED COMPARTMENT FLOOR
 - COMPARTMENT RETENTION NETTING
- COMPARTMENT RS3 CONTAINS:
 - (1) STD DEPTH ADJ SLIDEMASTER TILT TRAY
- COMPARTMENT RS4 CONTAINS:
 - (1) FLOOR MTD SLIDEMASTER TRAY WITH 2 TOOLBOARDS
 - (1) 9 SLOT RACK
 - (7) POLY TOOL BOXES
- COMPARTMENT RS5 CONTAINS:
 - (1) CAB LIFT CONTROLLER
 - (1) HORIZONTAL FLOOR EXTENSION
 - (4) 2-WAY SLIDEMASTER TRAYS WITH TOOLBOARDS
 - CIRCUIT BREAKER PANEL
 - GENERATOR METER PANEL
 - ELECTRIC CORD REEL WITH 200' OF 10/4 BLACK CORD
 - TOOL AIR REEL WITH 100' OF 0.50" HOSE
 - (1) SUB FEED BOX
 - (1) COMPRESSOR CONTROL PANEL
- COMPARTMENT RS6 CONTAINS:
 - (2) 2-WAY ADJ SHELVES
 - (1) SPECIAL DEPTH ADJ SLIDE OUT/TILT TRAY



LEFT SIDE COMPARTMENTS CONTAIN THE FOLLOWING:

- COMPARTMENT LS1 CONTAINS:
 - (1) VERTICAL COMPARTMENT DIVIDER
 - (2) STD DEPTH ADJ SHELVES (NOTCHED)
 - (1) FLOOR MTD SLIDEMASTER TRAY
 - (1) 15/20A, 120V DUPLEX RECEPTACLE
 - PEGBOARD ON BACK WALL OF COMPARTMENT
 - (1) HYDRAULIC TOOL TURN TABLE
- COMPARTMENT LS2 CONTAINS:
 - ANGLED COMPARTMENT FLOOR
 - COMPARTMENT RETENTION NETTING
- COMPARTMENT LS3 CONTAINS:
 - (1) STD DEPTH ADJ SLIDEMASTER TILT TRAY
- COMPARTMENT LS4 CONTAINS:
 - (2) STD DEPTH ADJ SHELVES
 - (1) RACK FOR 14 AIR BAGS
 - (1) 20A, 115/20V 4-PLACE RECEPTACLE
- COMPARTMENT LS5 CONTAINS:
 - (1) 107A 75 AMP BATTERY CHARGER
 - (1) HORIZONTAL FLOOR EXTENSION
 - (4) 2-WAY SLIDEMASTER TRAYS WITH TOOLBOARDS
 - (1) 3-DRAWER C-TECH CABINET
 - (1) ELECTRIC CORD REEL WITH 200' OF 10/4 BLACK CORD
 - (1) TOOL AIR REEL WITH 100' OF 0.50" HOSE
- COMPARTMENT LS6 CONTAINS:
 - (2) 2-WAY ADJ SHELVES
 - (1) SPECIAL DEPTH ADJ SLIDE OUT/TILT TRAY



NOTE
DIMENSIONS SHOWN ARE APPROXIMATE AND ARE SUBJECT TO MINOR DEVIATIONS AS MAY OCCUR OR BE NECESSARY IN CONSTRUCTION. MINOR DETAILS NOT SHOWN.

- NOTES:**
- ONSPOT AUTOMATIC TIRE CHAINS
 - POLISHED 5/5 SCUFFPLATES ON CAB DOORS
 - FLOOR IN CAB TO BE PADDED RUBBER
 - BATTERY CHARGE INDICATOR LOCATED ON DRIVER'S SEAT WITH BRACKET
 - POLISHED 5/5 SCUFFPLATES ON FRONT AND REAR BODY CORNERS
 - (2) #9,000 RECEIVER STYLE ROPE RESCUE EYES
 - PIERCE LED STRIP LIGHTS IN ALL BODY COMPARTMENTS

STAINLESS STEEL BODY
SIDE ROLL AND FRONTAL IMPACT PROTECTION

CLEAR DOOR WIDTH KEY		07SEP23	DHE	CDK	CHASSIS DATA
AMOR ROLL UP DOORS:	-2 1/4"	05SEP23	DHE	CDK	MAKE
CORTITE ROLL UP DOORS:	-2 1/2"	06APR23	AZU	CDK	PIERCE
PIERCE DOUBLE LIP DOORS:	-4 1/4"	31MAR23	DHE	CDK	MODEL
PIERCE LIFT-UP LAP DOORS:	-1 1/2"	21DEC22	DHE	CDK	REV
(EX: 60" F-F - 2 1/4" = 57 3/4" CLEAR)					DATE
(F-F) = FRAME TO FRAME					BY
					CH

Pierce MANUFACTURING INC.		JOB NO.	38172
TITLE		SCALE	DATE
HEAVY DUTY RESCUE		1:24	07DEC22
WALKED UNITED STEAM FIRE ENGINE COMPANY #3		DRAWN BY	DHE
FOR BUD #461		CHECKED BY	CDK
DWG NO.		SHEET SIZE	SHEET NO.
38172AD-SH1		D	1 OF 1