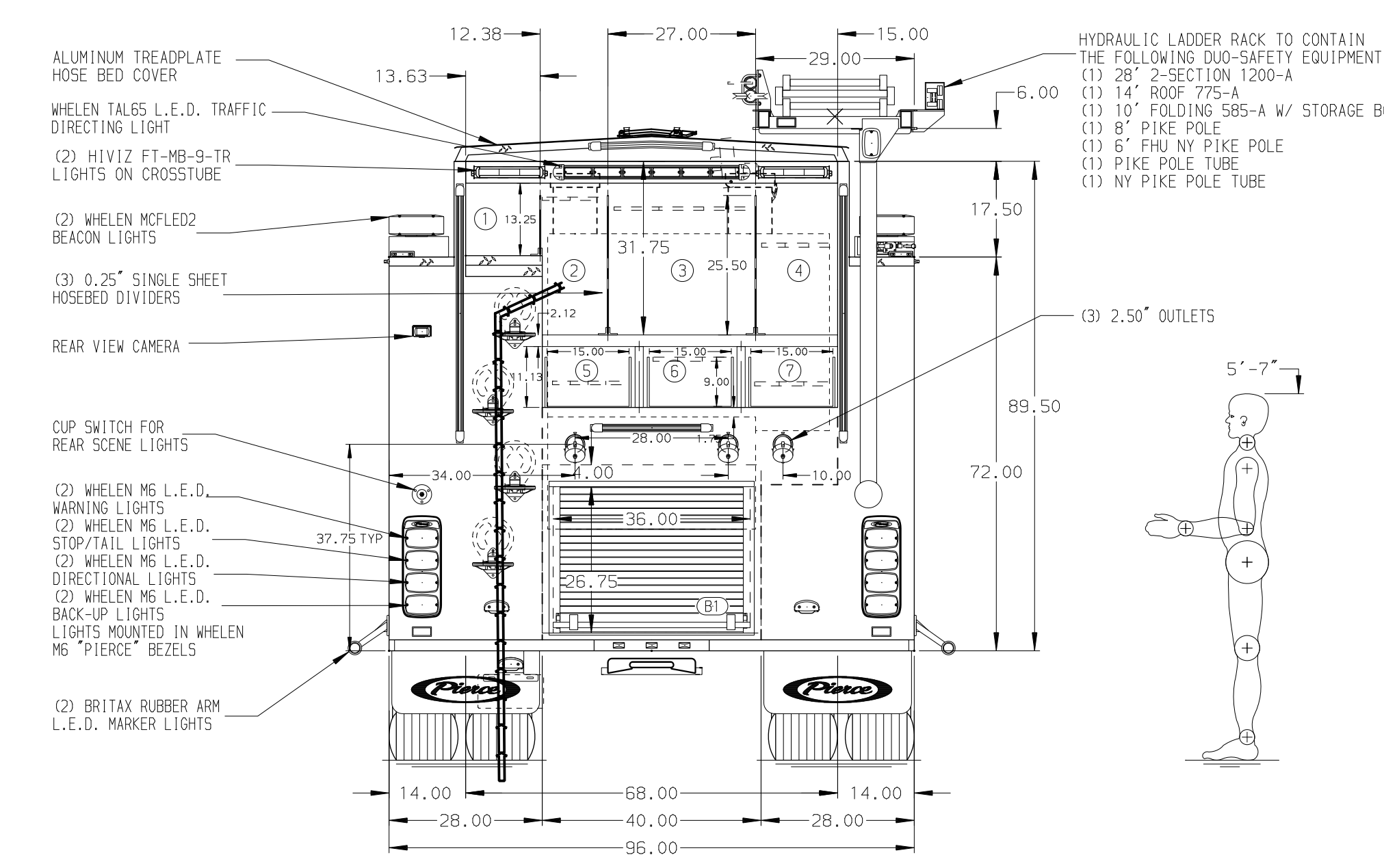
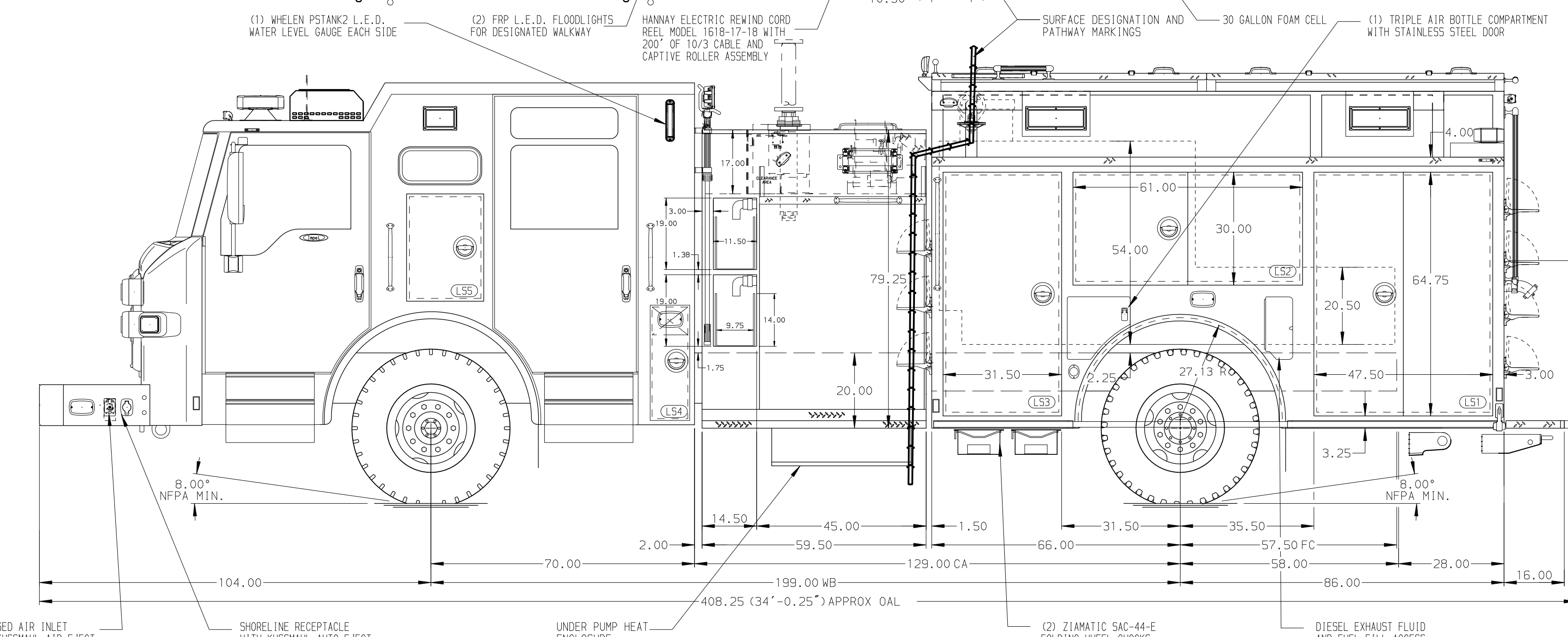


- HOSEBED CAPACITIES**
- ① - EMPTY HOSE BED
 - ② - 500' OF 3.00\"/>



ALUMINUM BODY

SIDE ROLL AND FRONTAL IMPACT PROTECTION

		JOB NO.	38186
		SCALE	DATE
TITLE 2000-D-780P, 750G WATER, 30G FOAM, 152\"/>		DRAWN BY	JJB
FOR VILLAGE OF ARLINGTON HEIGHTS ARLINGTON HEIGHTS, ILLINOIS		CHECKED BY	SJS
DWG NO. 38186AD		SHEET SIZE	SHEET NO.
		D	1 OF 1

NOTE

1. BATTERY CHARGER LOCATED PER SHOP ORDER
2. BATTERY CHARGE INDICATOR LOCATED PER SHOP ORDER WITH BRACKET
3. DRIP PAN GUARD FOR ROLL-UP DOOR LOCATED PER SHOP ORDER
4. ONE KEYPED LOCK FOR LATCH LOCATED PER SHOP ORDER
5. TWELVE FULL WIDTH/DEPTH ADJUSTABLE SHELVES LOCATED PER SHOP ORDER
6. TWO ADJUSTABLE TILTING SLIDE-OUT TRAYS LOCATED PER SHOP ORDER
7. ONE FLOOR MOUNTED SLIDE-OUT TRAY WITH SPECIAL HEIGHT SIDES LOCATED PER SHOP ORDER
8. ONE ALUMINUM PEGBOARD ON BACK WALL LOCATED PER SHOP ORDER
9. THREE 120V DUPLEX RECEPTACLES LOCATED PER SHOP ORDER
10. HUSKY 3 FOAM SYSTEM

11. ONE SWING-OUT TOOLBOARD WITH PEGBOARD PATTERN LOCATED PER SHOP ORDER

REV	DATE	BY	CH	IMPEL FR
09APR24	JJB	CGA		CHASSIS DATA
03JAN24	JJB	CLM		MAKE
06DEC23	JJB	CLM		PIERCE
30NOV23	JJB	CLM		MODEL
17NOV23	JJB	CLM		