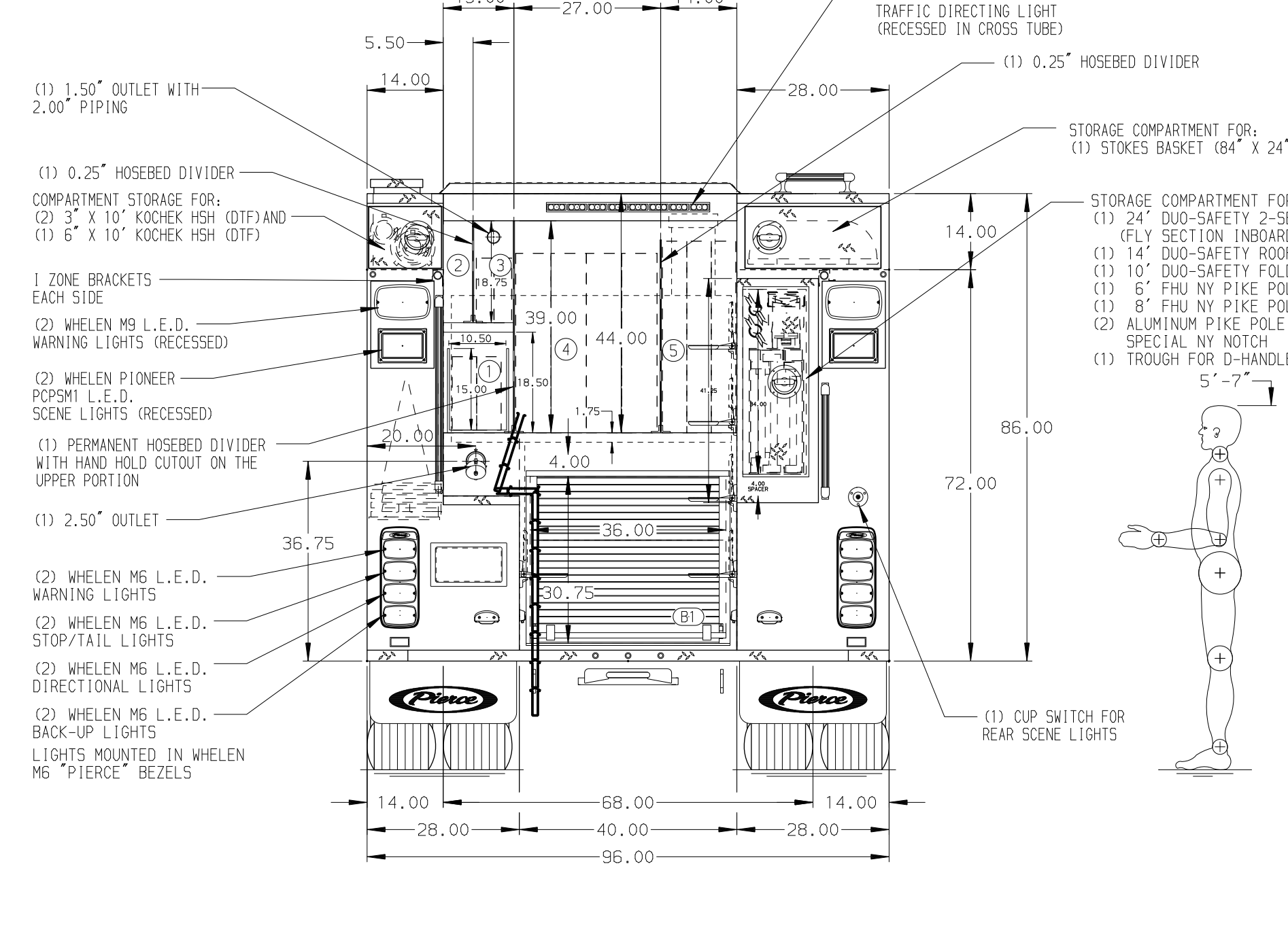
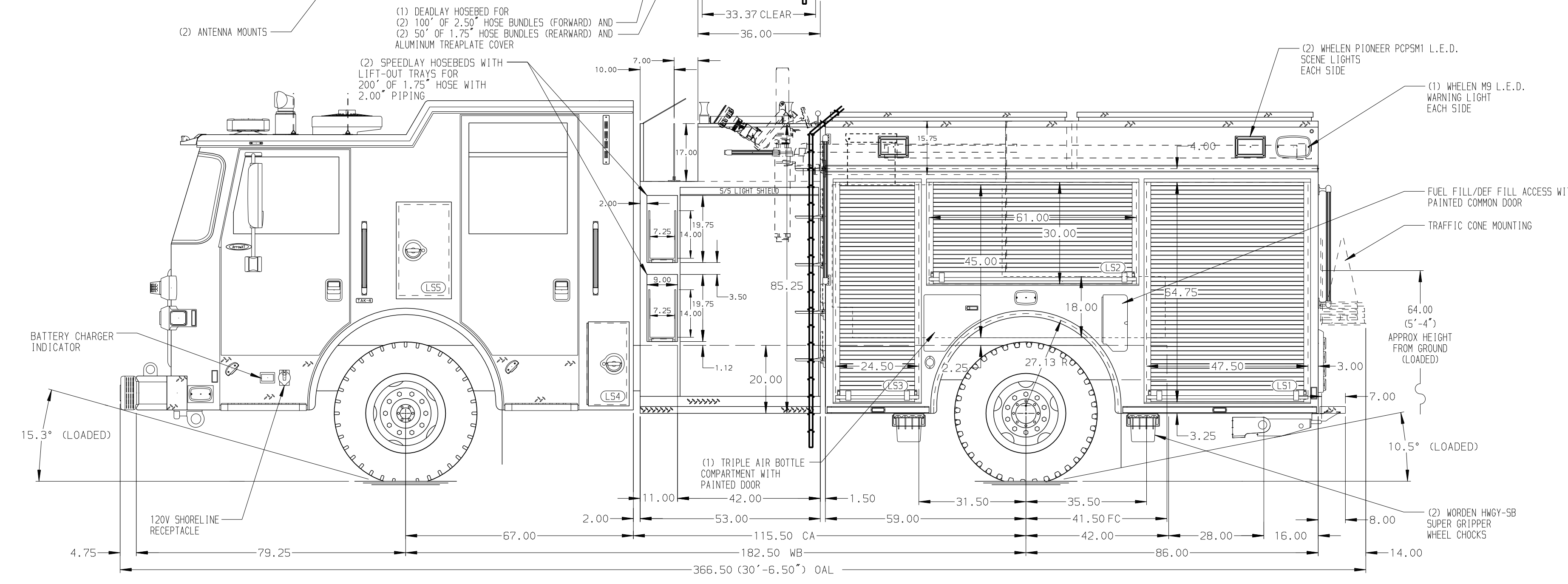


- HOSEBED CAPACITIES**
- ① - 200' OF 2.50" DJP HOSE IN A POLY TRAY
 - ② - OPEN
 - ③ - 200' OF 1.75" DJP HOSE
 - ④ - 1000' OF 4.00" DJP HOSE
 - ⑤ - 800' OF 2.50" DJP HOSE



ALUMINUM BODY MAXIMUM O.A.L. 372.00" MAXIMUM O.A.H. 114.50" SIDE ROLL AND FRONTAL IMPACT PROTECTION

NOTE
DIMENSIONS SHOWN ARE APPROXIMATE AND ARE SUBJECT TO MINOR DEVIATIONS AS MAY OCCUR OR BE NECESSARY IN CONSTRUCTION. MINOR DETAILS NOT SHOWN.

1. AIR INLET/OUTLET WITH DISCONNECT FITTING LOCATED ON DS PUMP PANEL
2. BATTERY CHARGER LOCATED IN EMS CABINET PER ORDER
3. WHELEN 01-0850288-00 L.E.D. LIGHTS ON HOSE BED SIDES PER ORDER
4. THREE P25 LIGHTS LOCATED IN CARGO AREA PER ORDER
5. SEVEN DRIP PAN GUARDS FOR ROLL-UP DOORS LOCATED PER ORDER
6. SEVEN DUAL L.E.D. LIGHT STRIPS ON COMPARTMENT DOORS LOCATED PER ORDER
7. DEFLECTOR FOR REAR OF SURFBOARD PER ORDER SHIPPED LOOSE
8. L.E.D. LIGHT STRIPS LOCATED IN HATCH COMPARTMENTS PER ORDER
9. EIGHT FULL WIDTH/DEPTH ADJUSTABLE SHELVES LOCATED IN COMPARTMENTS PER ORDER
10. TWO FLOOR MOUNTED SLIDE-OUT TRAYS LOCATED IN COMPARTMENTS PER ORDER

11. ONE CTECH 3-DRAWER ASSEMBLY LOCATED IN COMPARTMENT PER ORDER
12. ONE SWING-OUT TOOL BOARD WITH PEGBOARD PATTERN LOCATED IN COMPARTMENT PER ORDER
13. PARTITION BETWEEN COMPARTMENTS LS1/B1 AND RS1/B1
14. TWO VERTICAL PARTITIONS LOCATED IN COMPARTMENTS PER ORDER
15. ALUMINUM PEGBOARD WITH TRACKS ON THE BACK WALL OF COMPARTMENT PER ORDER
16. ONE AIR BOTTLE HOLDER LOCATED IN COMPARTMENT PER ORDER
17. FOUR 120V DUPLEX RECEPTACLES LOCATED PER ORDER
18. 2" RATCHET STRAP PER ORDER SHIPPED LOOSE

REV	DATE	BY	CH	ARROW	XT
020C23	SAM	AST			
28AUG23	SAM	AST			
23AUG23	SAM	AST			
12APR23	SAM	WKL			

TITLE	FOR	DWG NO.
CHASSIS DATA	HUMBOLDT BAY FIRE	38199AD
MAKE	EUREKA, CALIFORNIA	
MODEL		

JOB NO.	DATE
38199	
SCALE	DRAWN BY
1:24	SAM
CHECKED BY	SHEET SIZE
WKL	D
SHEET NO.	1 OF 1