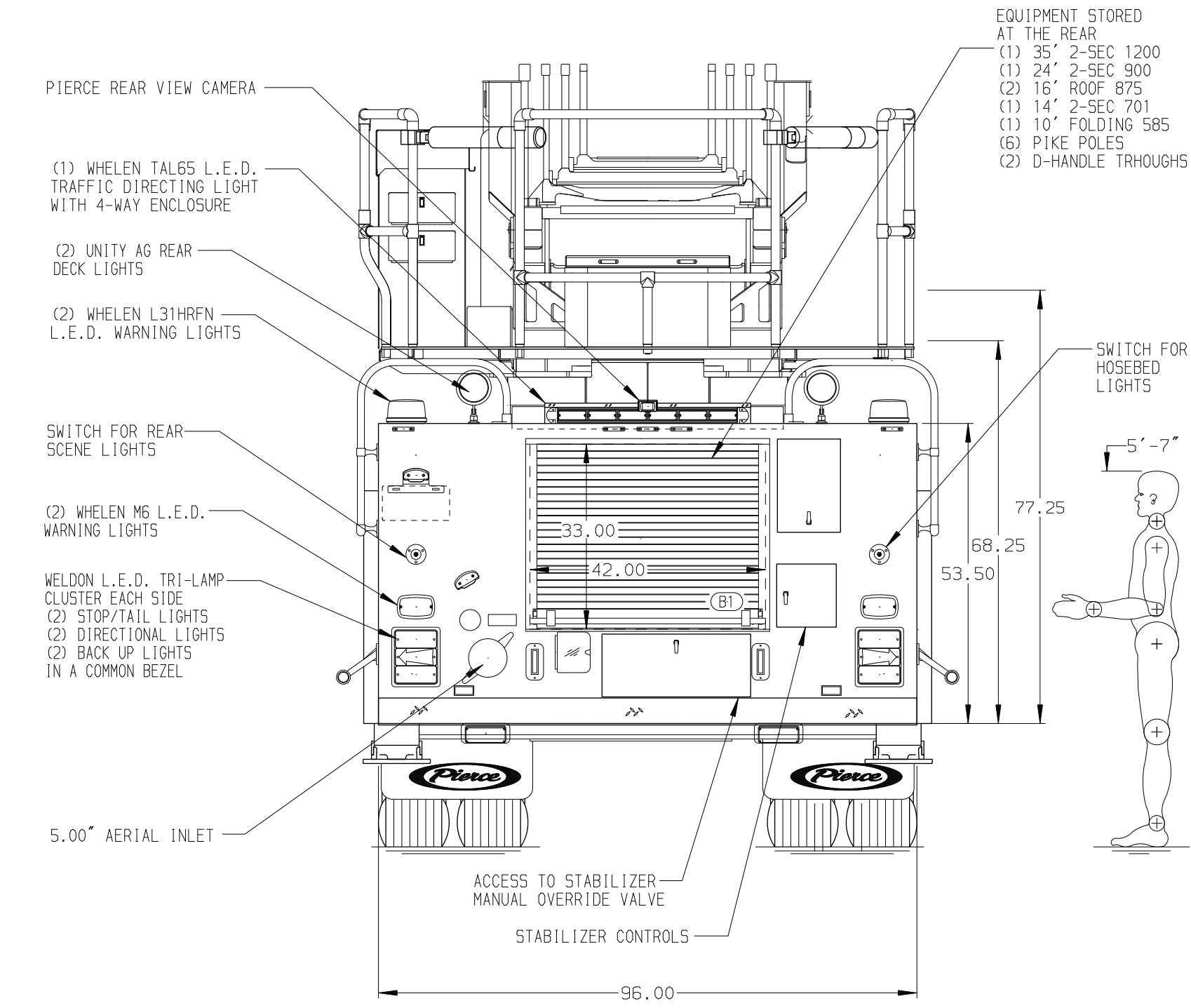


BODY 107' ASL Tandem Axle Aluminum Body PUC COMPT, LEFT SIDE FRONT FH/FD Lap Forward w/o Chute COMPT, LEFT SIDE REAR FH/FD Lap Rearward COMPT, RIGHT SIDE FRONT Full Height Lap Forward COMPT, RIGHT SIDE REAR Full Height Lap Rearward	WATER TANK 500 Gallon Notched Poly Water Tank Foam System Foam System Not Required Foam Cell Foam Cell Not Required
---	---



CHASSIS Velocity Chassis (Big Block) ENGINE 525 HP Cummins X12 Engine	CAB 7010 Notched Velocity FR Cab, PUC BUMPER 19\" Extended Painted Steel	AXLE, FRONT, CUSTOM 22,800 Lb TAK-4 Axle AXLE, REAR 48,000 Lb Meritor Axle	TRANSMISSION Allison 6th Gen, 4500 EV5 P	PUMPHOUSE Control Zone, PAL/PAP PUC PUMP 1500 GPM Pierce PUC	CROSSLAYS, 1.50" (2) 1.50", Poly Trays, 200' CROSSLAYS, 2.50" (1) 2.50", Poly Tray, 200'	SPEEDLAYS GENERATOR Generator Not Required	SAFETY Side Roll and Frontal Impact Protection	CUSTOMER APPROVAL APPROVED BY: _____ DATE: _____		JOB NO. 38201 SCALE 1:24 DATE DRAWN BY LWE 16NOV22 CHECKED BY NDA 28NOV22 SHEET SIZE D SHEET NO. 1 OF 1
NOTE DIMENSIONS SHOWN ARE APPROXIMATE AND ARE SUBJECT TO MINOR DEVIATIONS AS MAY OCCUR OR BE NECESSARY IN CONSTRUCTION. MINOR DETAILS NOT SHOWN.										
1. NO LIMITED RETRACTION 2. SHORELINE RECEPTACLE WITH KUSSMALL SUPER AUTO-EJECT LOCATED IN DRIVER SIDE STEP WELL 3. AIR INLET WITH DISCONNECT COUPLING IN THE DRIVER SIDE STEPWELL 4. BATTERY CHARGER LOCATED PER ORDER 5. BATTERY CHARGE INDICATOR LOCATED ON THE DRIVER SIDE STEP AREA 6. SIX ADJUSTABLE SHELVES PER ORDER 7. THREE FLOOR MOUNTED SLIDE-OUT TRAYS PER ORDER 8. 3.00\" RAISED AERIAL PEDESTAL 9. LIFTING EYE ROPE RESCUE ATTACHMENT AT AERIAL TIP 10. 1500 GPM HIGH FLOW WATERWAY 11. TWO SWING-OUT TOOLBOARDS PER ORDER 12. THREE 120V RECEPTACLES PER ORDER 13. ONE 1.50\" OUTLET WITH 2.00\" PIPING AND SWIVEL LOCATED ON TOP OF LEFT SIDE BUMPER 14. RUNG LIGHTING ON AERIAL LADDER										