

**RIGHT SIDE COMPARTMENTS CONTAIN THE FOLLOWING:**

**COMPARTMENT RS1 CONTAINS:**

- (1) VERTICAL COMPARTMENT DIVIDER
- (1) STD DEPTH ADJ SHELF
- (2) STD DEPTH SLIDE OUT TOOLBOARDS

**COMPARTMENT RS2 CONTAINS:**

- (1) 1/2 DEPTH ADJ SLIDE OUT/TILT TRAY
- (1) 2-WAY FLOOR MTD SLIDE OUT TRAY

**COMPARTMENT RS3 CONTAINS:**

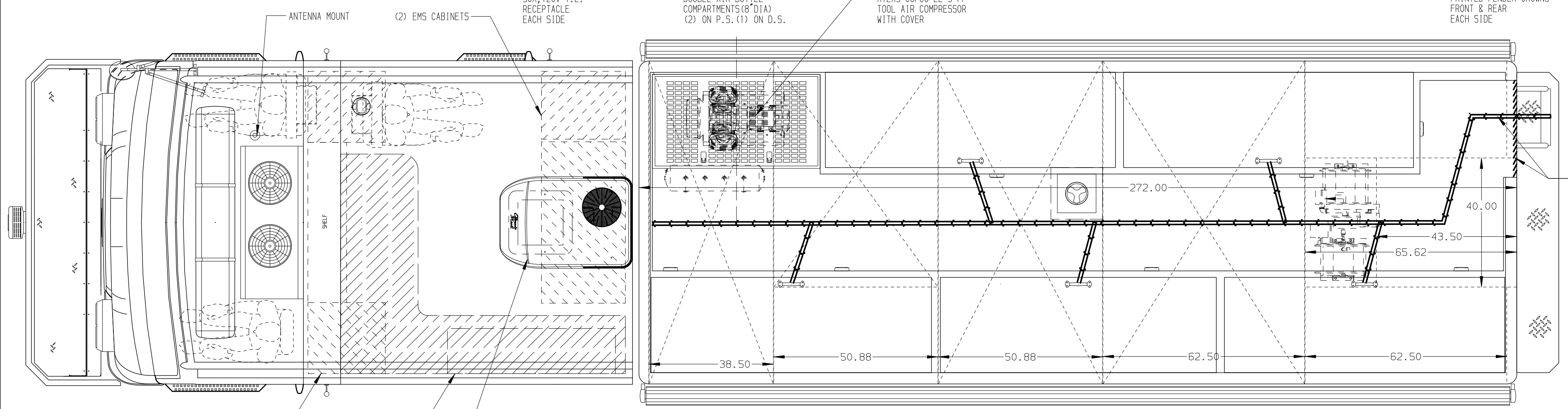
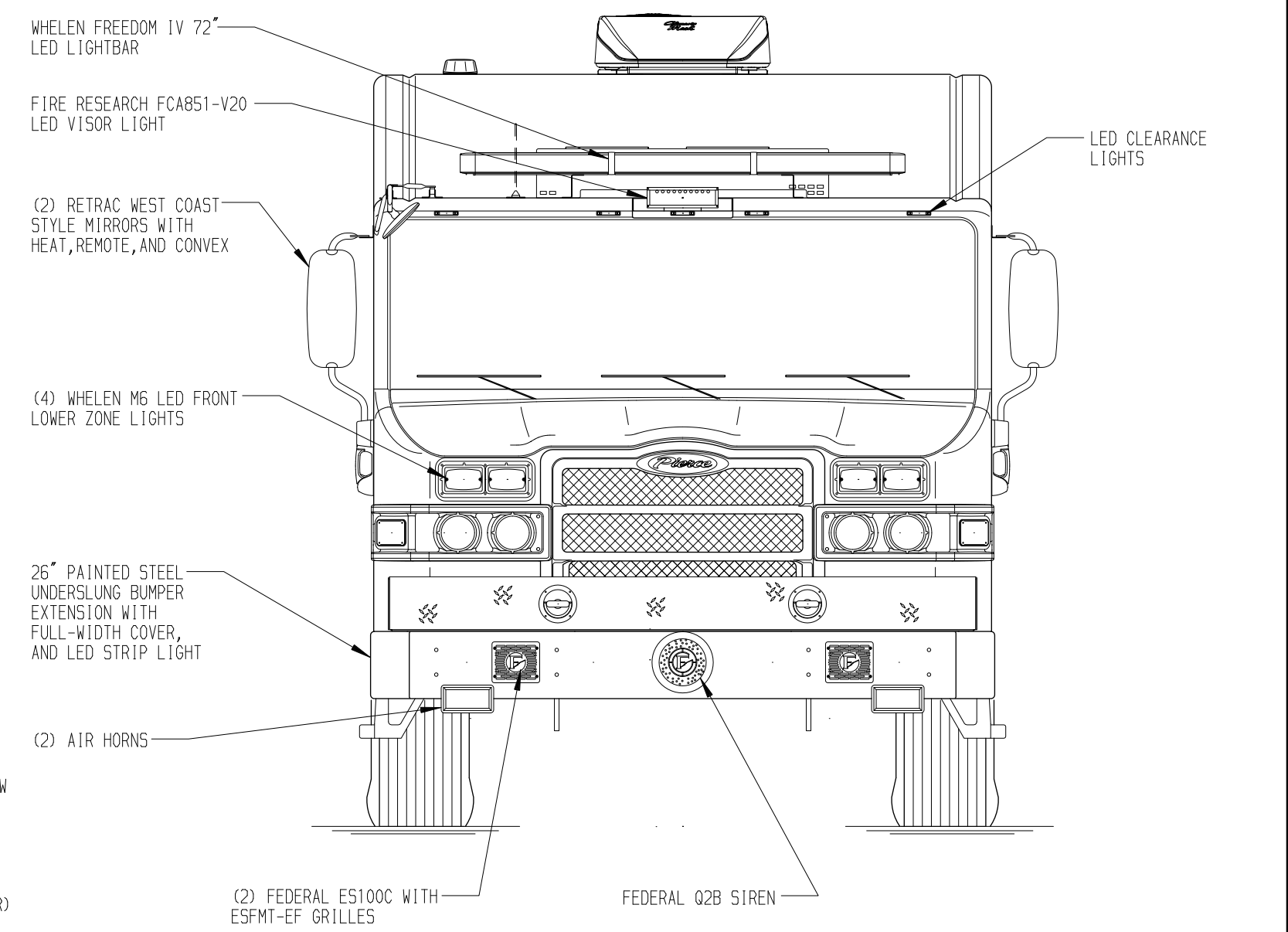
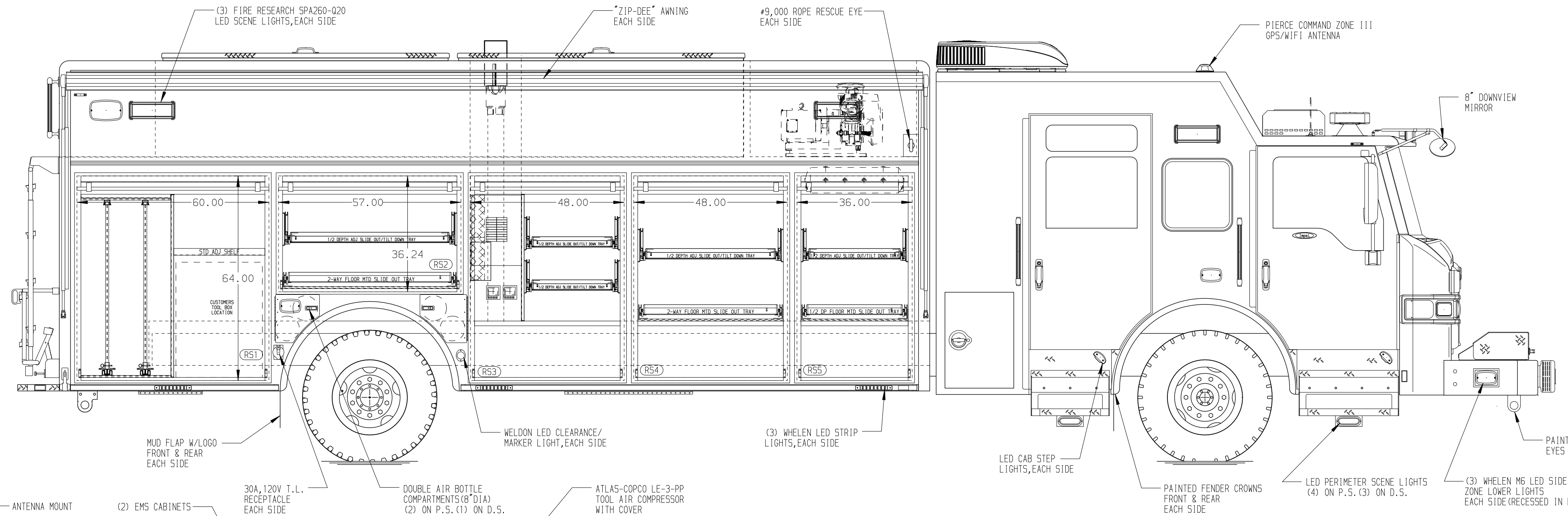
- (1) HORIZONTAL FLOOR EXTENSION
- (1) VERTICAL COMPARTMENT DIVIDER
- (2) 1/2 DEPTH ADJ SLIDE OUT/TILT TRAYS
- (1) TOOL AIR COMPRESSOR CONTROLS
- (1) CIRCUIT BREAKER PANEL
- (2) SUB FEED BOXES
- (1) GENERATOR METER PANEL

**COMPARTMENT RS4 CONTAINS:**

- (1) HORIZONTAL FLOOR EXTENSION
- (1) 1/2 DEPTH ADJ SLIDE OUT/TILT TRAY
- (1) 2-WAY FLOOR MTD SLIDE OUT TRAY

**COMPARTMENT RS5 CONTAINS:**

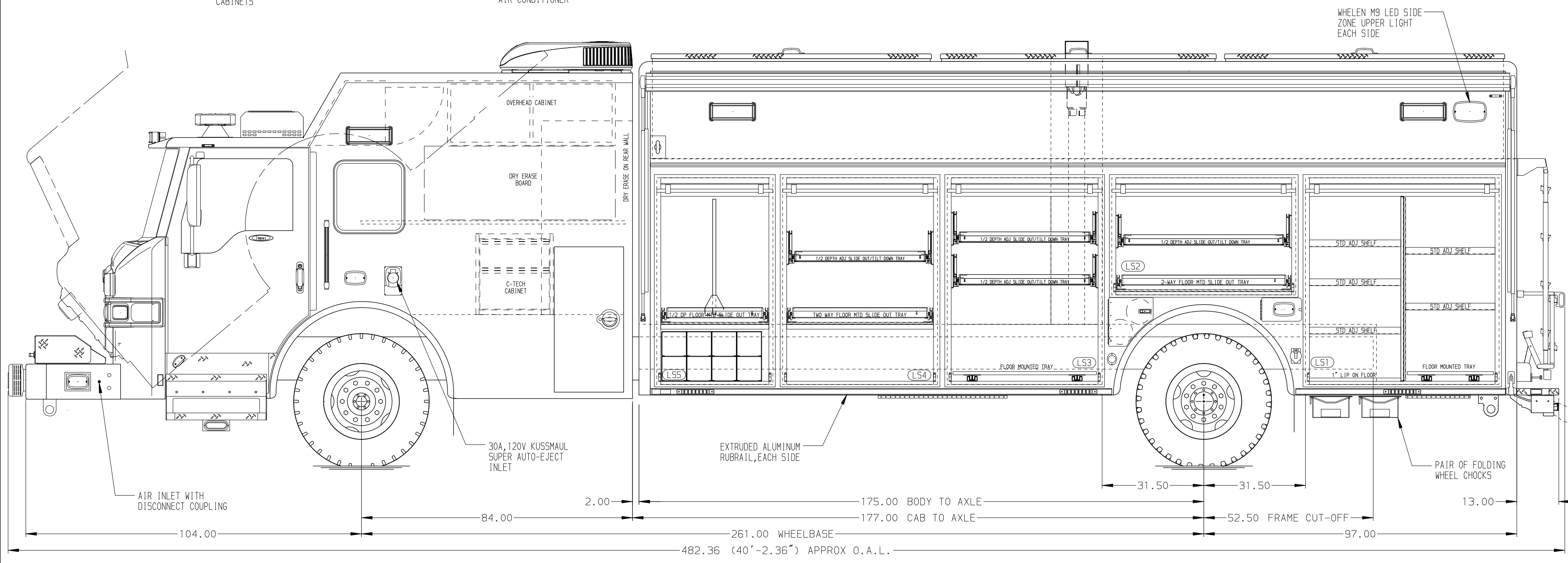
- (1) HORIZONTAL FLOOR EXTENSION
- (1) 1/2 DEPTH ADJ SLIDE OUT/TILT TRAY
- (1) 1/2 DEPTH FLOOR MTD SLIDE OUT TRAY



**REAR COMPARTMENT CONTAINS THE FOLLOWING:**

**COMPARTMENT B1 CONTAINS:**

- (1) SPECIAL DEPTH ADJ SHELF
- (1) ELECTRIC CORD REEL WITH 200' OF 10/3 YELLOW CORD
- (1) TOOL AIR REEL WITH 200' OF HOSE



**LEFT SIDE COMPARTMENTS CONTAIN THE FOLLOWING:**

**COMPARTMENT LS1 CONTAINS:**

- (1) VERTICAL COMPARTMENT DIVIDER
- 1" LIP ON COMPARTMENT FLOOR
- (5) STD DEPTH ADJ SHELVES
- (1) FLOOR MOUNTED TRAY W/SPECIAL SIDES

**COMPARTMENT LS2 CONTAINS:**

- (1) 2-WAY FLOOR MTD SLIDE OUT TRAY
- (1) 1/2 DEPTH ADJ SLIDE OUT/TILT TRAY

**COMPARTMENT LS3 CONTAINS:**

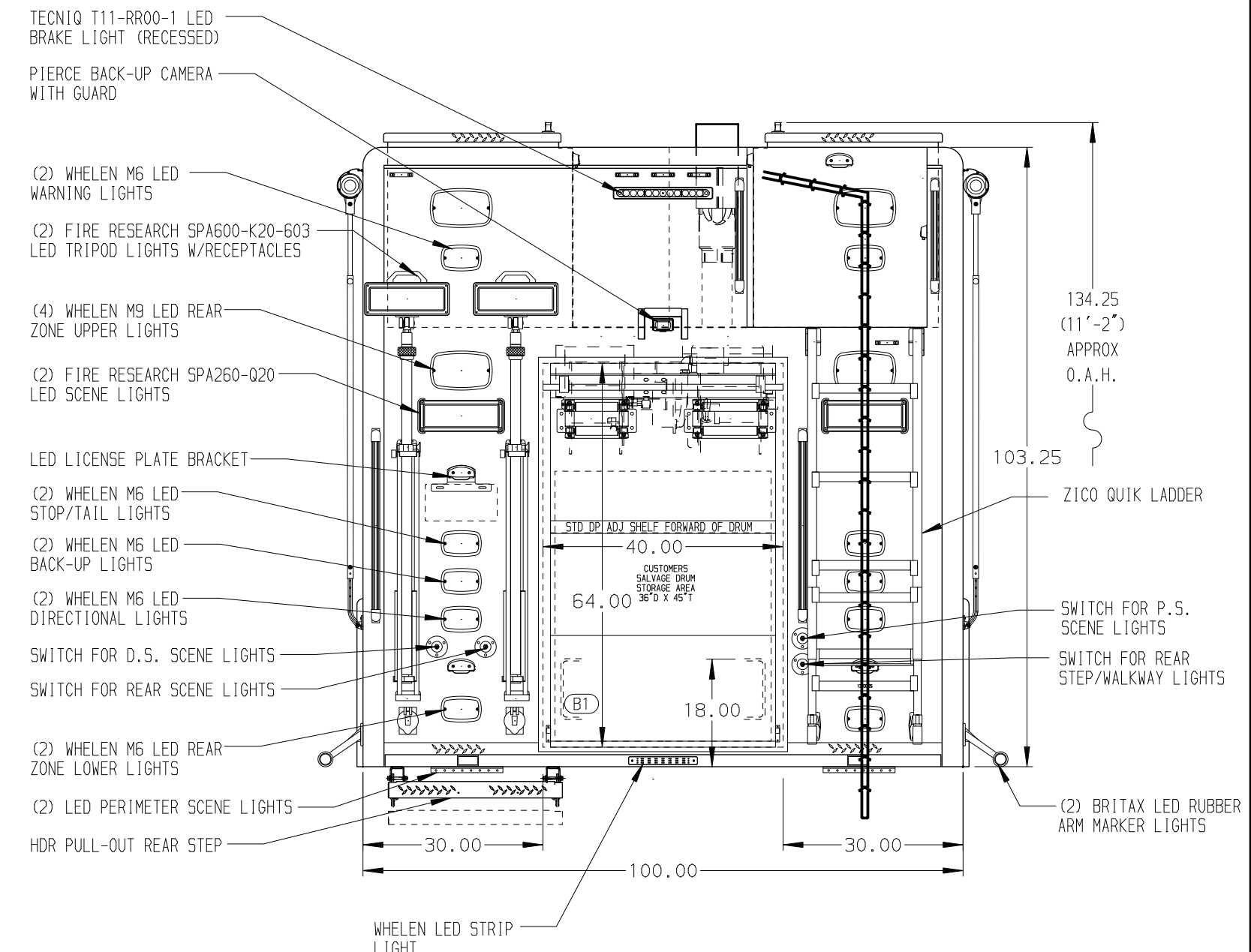
- (2) 1/2 DEPTH ADJ SLIDE OUT/TILT TRAYS
- (1) FLOOR MOUNTED TRAY W/SPECIAL SIDES

**COMPARTMENT LS4 CONTAINS:**

- (1) HORIZONTAL FLOOR EXTENSION
- (1) 2-WAY FLOOR MTD SLIDE OUT TRAY
- (1) 1/2 DEPTH ADJ SLIDE OUT/TILT TRAY

**COMPARTMENT LS5 CONTAINS:**

- (1) HORIZONTAL FLOOR EXTENSION
- (1) RACK FOR 8 SCBA BOTTLES-NO SLANT
- (1) 1/2 DEPTH FLOOR MTD SLIDE OUT TRAY WITH TOOLBOARD



**NOTE:**

DIMENSIONS SHOWN ARE APPROXIMATE AND ARE SUBJECT TO MINOR DEVIATIONS AS MAY OCCUR OR BE NECESSARY IN CONSTRUCTION. MINOR DETAILS NOT SHOWN.

- NOTES:**
- KUSSMAUL PUMP PLUS 1200 CHARGER LOCATED BEHIND DRIVER'S SEAT
  - BATTERY CHARGE INDICATOR LOCATED ON DRIVER'S SEAT WITH BRACKET
  - ELASTIC PULL STRAPS ON ALL BODY ROLL UP DOORS
  - PIERCE LED STRIP LIGHTS IN ALL BODY AND HATCH COMPARTMENTS
  - ONAN 25kW SINGLE PHASE PTO DRIVEN GENERATOR WITH SPLASH GUARD LOCATED BETWEEN THE FRAME RAILS
  - POLISHED 5/8" SCUFFPLATES ON CAB AND CREW CAB DOOR JAMBS
  - (2) 36" STRIP LIGHTS ABOVE COMMAND DESK
  - (2) 15/20A, 120V 4-PLACE RECEPTACLES, (1) UNDER DESK AND (1) IN P.S. EMS COMPARTMENT
  - (6) 15/20A, 120V DUPLEX RECEPTACLES IN DESK RACEWAY

CLEAR DOOR WIDTH KEY		REV	DATE	BY	CH	CHASSIS DATA
AMOR ROLL UP DOORS:	-2 1/4"	21MAR24	DHE	AZU		TITLE
CORTITE ROLL UP DOORS:	-2 1/2"	18SEP23	DHE	AZU		HEAVY DUTY RESCUE NON-WALKIN
PIERCE DOUBLE LIP DOORS:	-4 1/4"	01JUN23	DHE	AZU	PIERCE	FOR
PIERCE LIFT-UP LAP DOORS:	-1 1/2"	15FEB23	DHE	AZU		HILLSBOROUGH COUNTY FIRE RESCUE B/D #831
(EX: 60" F-F - 2 1/4" = 57 3/4" CLEAR)						DUSTIN BOWSER
(F-F) = FRAME TO FRAME						DWG NO.

		JOB NO.	38217
		SCALE	DATE
		DRAWN BY	03JAN23
		CHECKED BY	16JAN23
		DWG NO.	38217AD
		SHEET SIZE	SHEET NO.
		DWG NO.	1 OF 1