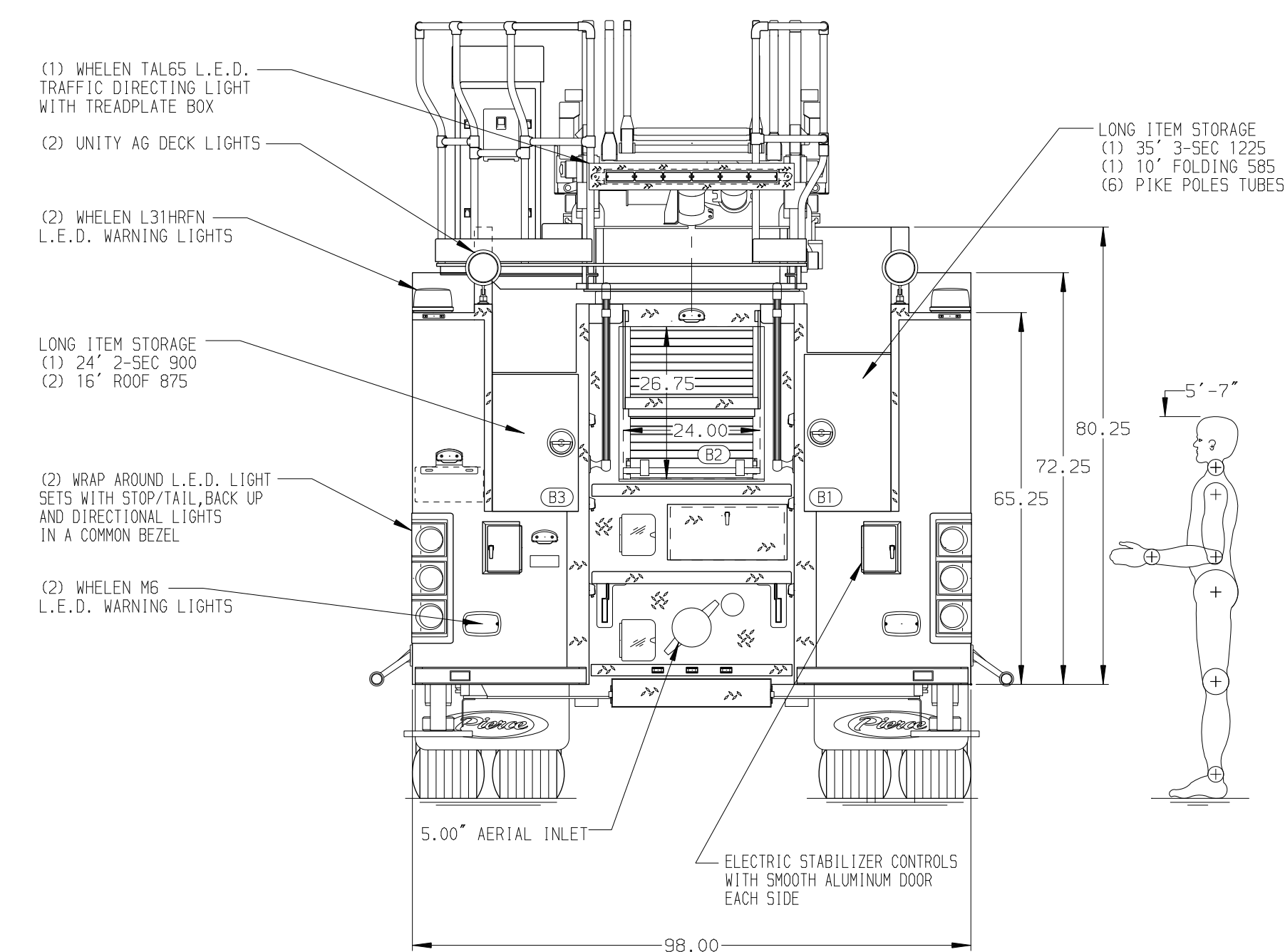
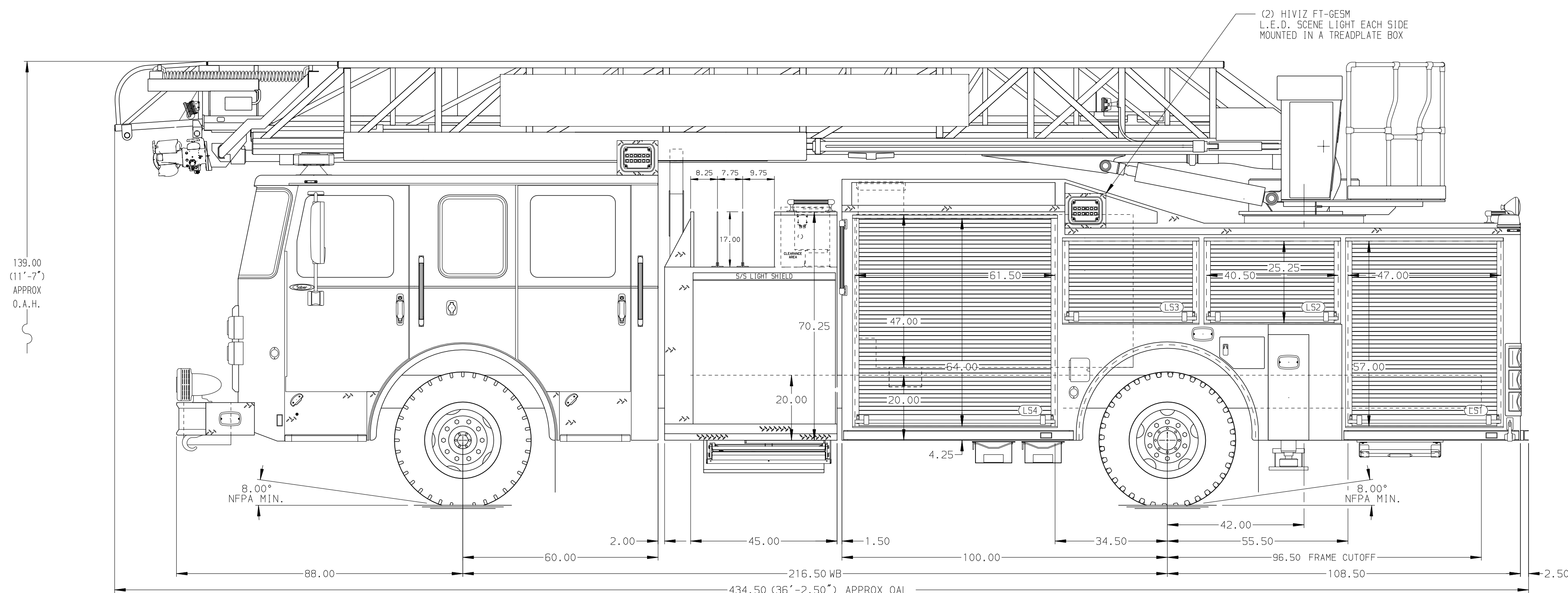


BODY	WATER TANK
75' HAL Aluminum Body	500 Gallon Poly Water Tank
COMPT, LEFT SIDE FRONT	Foam System
Full Height RollUp Forward	Husky 3 Single Agent Foam System
COMPT, LEFT SIDE REAR	Foam Cell
Full Height RollUp Rearward	20 Gallon Foam Cell, Non Reduced Water
COMPT, RIGHT SIDE FRONT	
Full Height RollUp Forward	
COMPT, RIGHT SIDE REAR	
Full Height RollUp Rearward	



CHASSIS	CAB	AXLE, FRONT, CUSTOM	TRANSMISSION	PUMPHOUSE	CROSSLAYS, 1.50"	SPEEDLAYS	CUSTOMER APPROVAL		JOB NO.
Saber FR Chassis	6000 Saber FR Cab	20,000 Lb Dana Axle	Allison 5th Gen, 3000 EVS P	45" Control Zone Side Mount	(2) 1.50" Standard Capacity	Speedlays Not Required	APPROVED BY: _____		38222
450 HP Cummins L9 Engine	19" Extended Stainless Steel	33,500 Lb Meritor Axle		1500 GPM Waterous CXC20	(2) 2.50" Standard Capacity	Generator Not Required	DATE: _____		SCALE 1:24
NOTE DIMENSIONS SHOWN ARE APPROXIMATE AND ARE SUBJECT TO MINOR DEVIATIONS AS MAY OCCUR OR BE NECESSARY IN CONSTRUCTION. MINOR DETAILS NOT SHOWN.	1. ONE 1.50 OUTLET WITH 2.00 PIPING AND SWIVEL LOCATED IN CENTER BUMPER TRAY		11. RUNG LIGHTING ON AERIAL LADDER				CHASSIS DATA	TITLE	DATE
	2. SHORELINE RECEPTACLE WITH KUSSMAUL SUPER AUTO-EJECT LOCATED ON DRIVER SIDE OF THE CAB		12. LIMITED RETRACTION NOT REQUIRED				MAKE	75 AERIAL LADDER & BODY ASSEMBLY (HAL)	
3. AIR INLET WITH DISCONNECT COUPLING IN THE DRIVER SIDE STEPWELL						PIERCE	FOR	GILBERT CITY OF GILBERT, MN	DRAWN BY LWE
4. BATTERY CHARGER LOCATED PER ORDER						MODEL	DWG NO.	38222AD	CHECKED BY ZCH
5. BATTERY CHARGE INDICATOR LOCATED ON THE DRIVER SIDE SEAT RISER						ENFORCER			DATE 01JUN22
6. FIVE ADJUSTABLE SHELVES LOCATED PER ORDER									SHEET SIZE
7. FOUR FLOOR MOUNTED SLIDE-OUT TRAYS LOCATED PER ORDER									SHEET NO.
8. 1.50" RAISED AERIAL PEDESTAL									1 OF 1
9. 1500 GPM HIGH FLOW WATERWAY									
10. FIVE SCBA ZICO BRACKETS IN COMPARTMENTS PER ORDER									