

RIGHT SIDE COMPARTMENTS CONTAIN THE FOLLOWING:

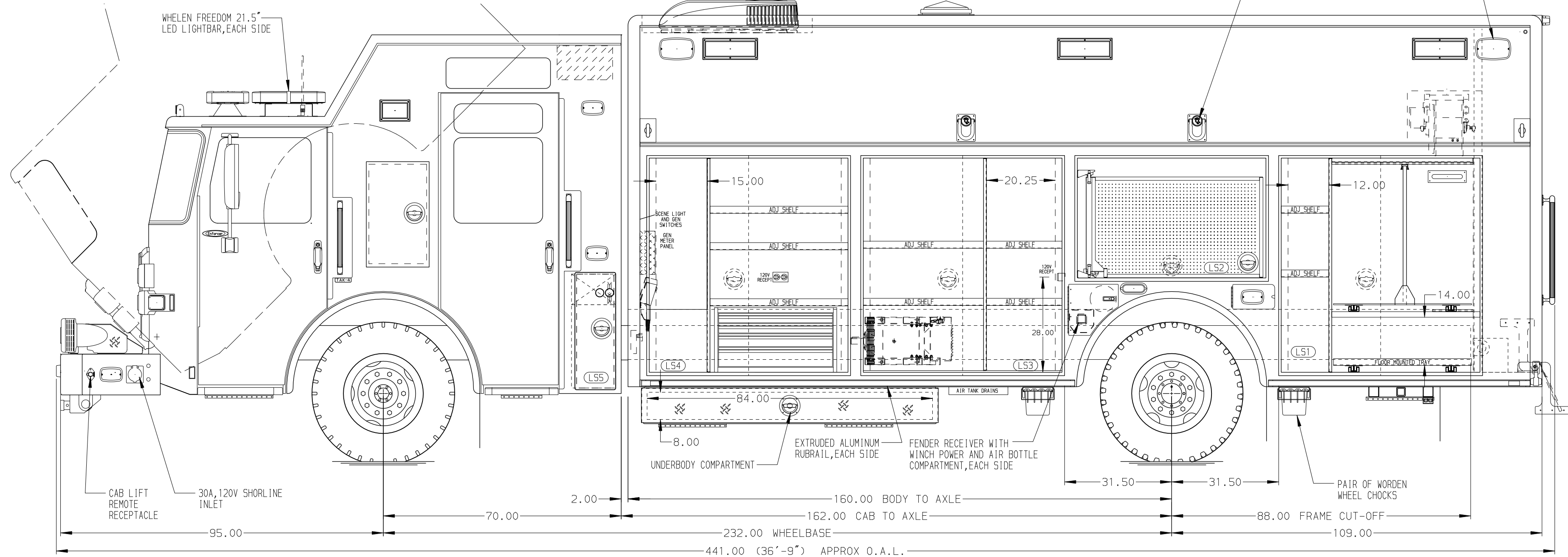
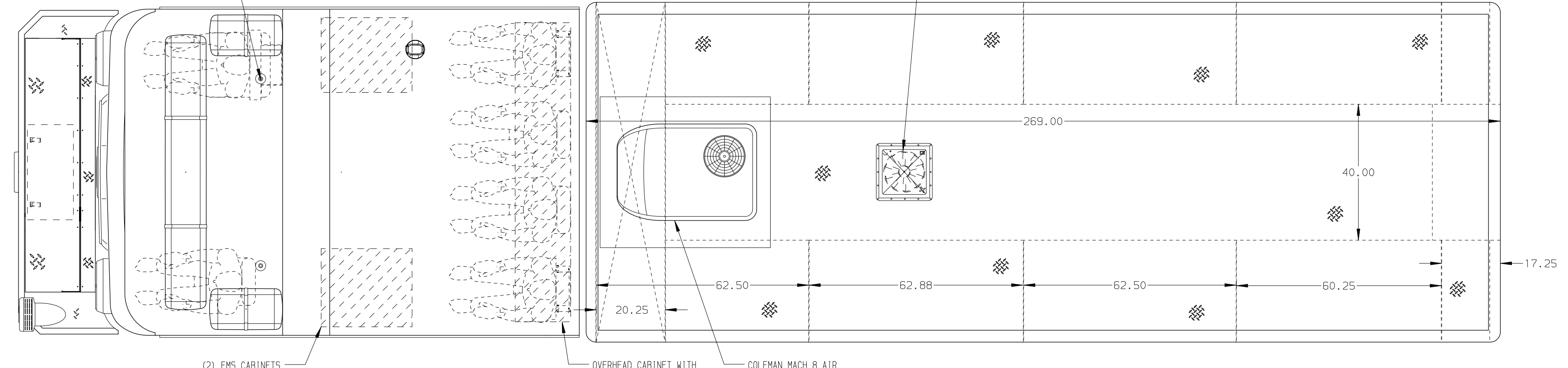
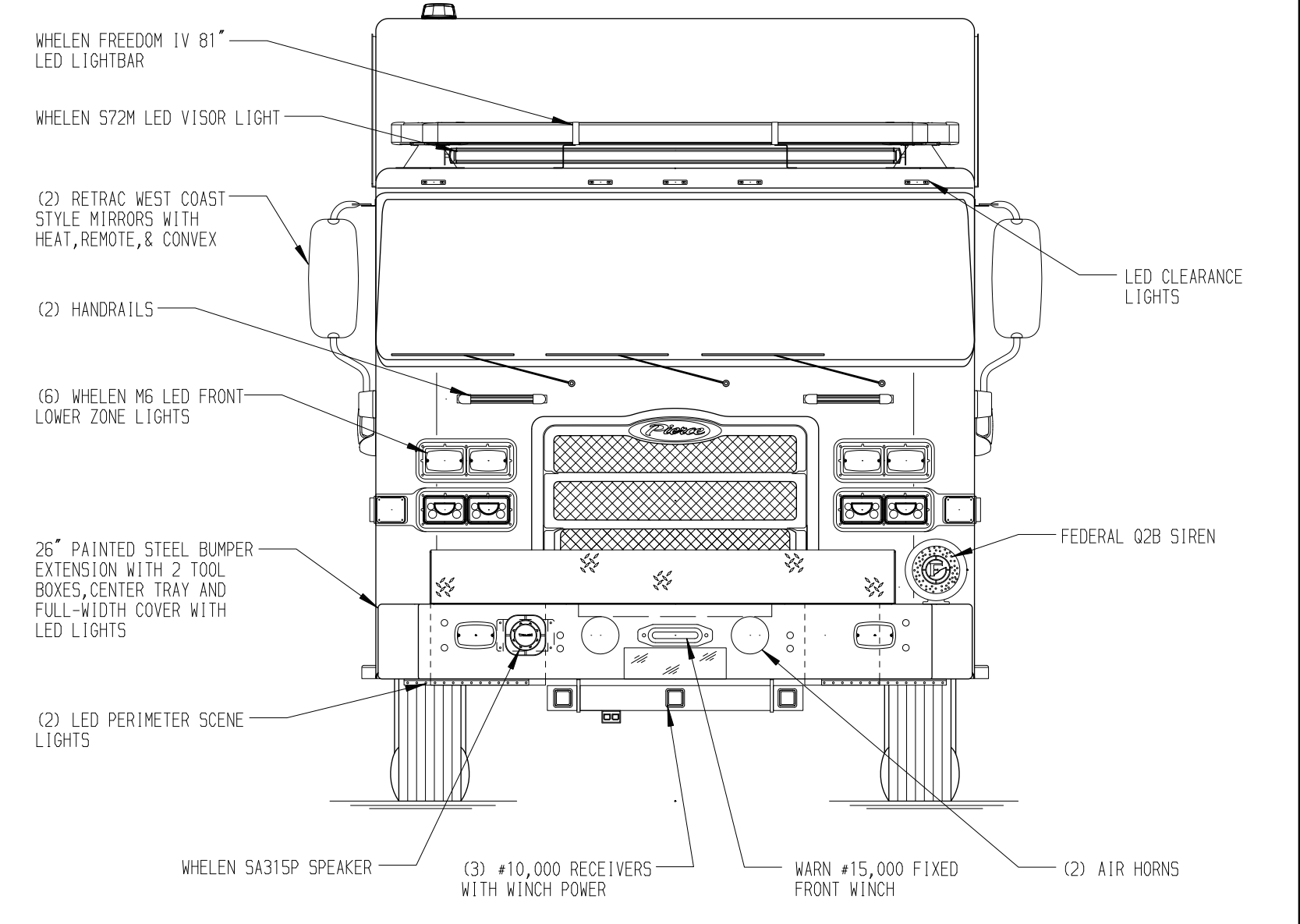
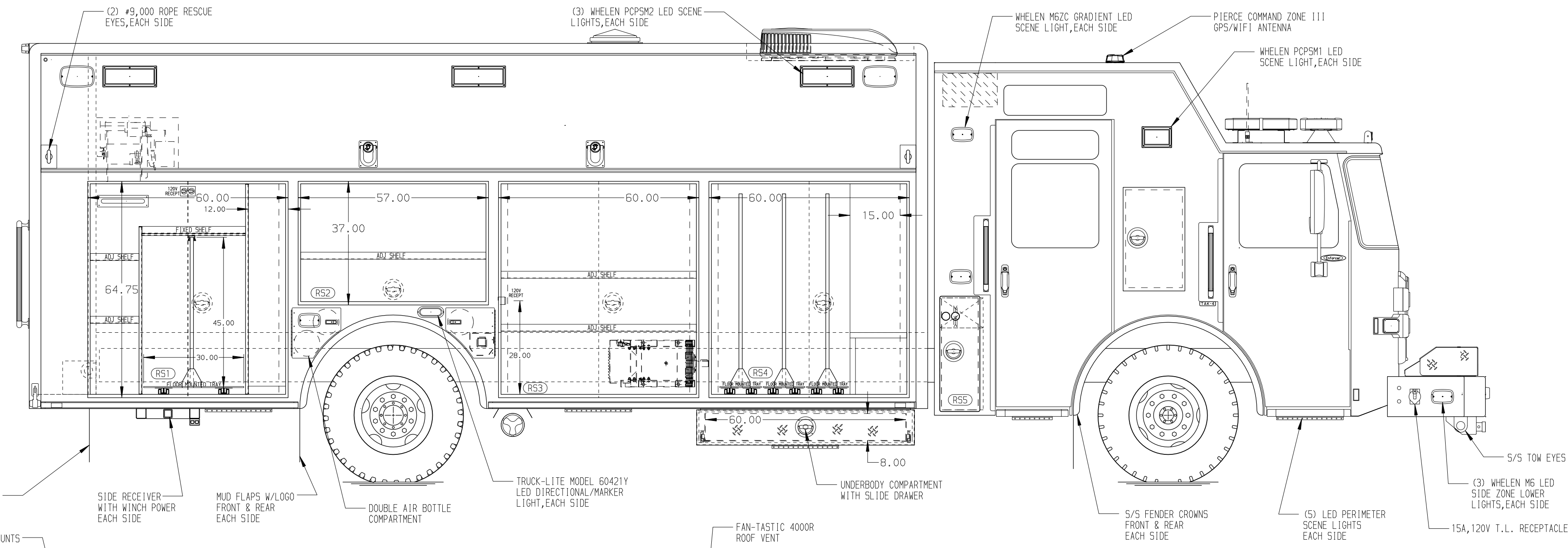
COMPARTMENT R51 CONTAINS:
 - SLANTED COMPARTMENT FLOOR-FORWARD
 - (2) VERTICAL COMPARTMENT DIVIDERS
 - (1) STD DEPTH FLAT TOP FLOOR MOUNTED TRAY WITH TOOLBOARD
 - (2) STD DEPTH ADJ SHELVES
 - (1) STD DEPTH FIXED SHELF
 - (1) 20A, 120V DUPLEX RECEPTACLE
 - (1) ELECTRIC CORD REEL WITH CAPACITY FOR 200' OF 10/4 YELLOW CORD

COMPARTMENT R52 CONTAINS:
 - (1) STD DEPTH ADJ SHELF

COMPARTMENT R53 CONTAINS:
 - (2) STD DEPTH ADJ SHELVES
 - (1) 20A, 120V DUPLEX RECEPTACLE

COMPARTMENT R54 CONTAINS:
 - (3) STD DEPTH FLAT TOP FLOOR MOUNTED TRAYS WITH TOOLBOARDS
 - (1) L SHAPED FLOOR EXTENSION

COMPARTMENT R55 CONTAINS:
 - (2) PIKE POLE TUBES (1) EACH SIDE



LEFT SIDE COMPARTMENTS CONTAIN THE FOLLOWING:

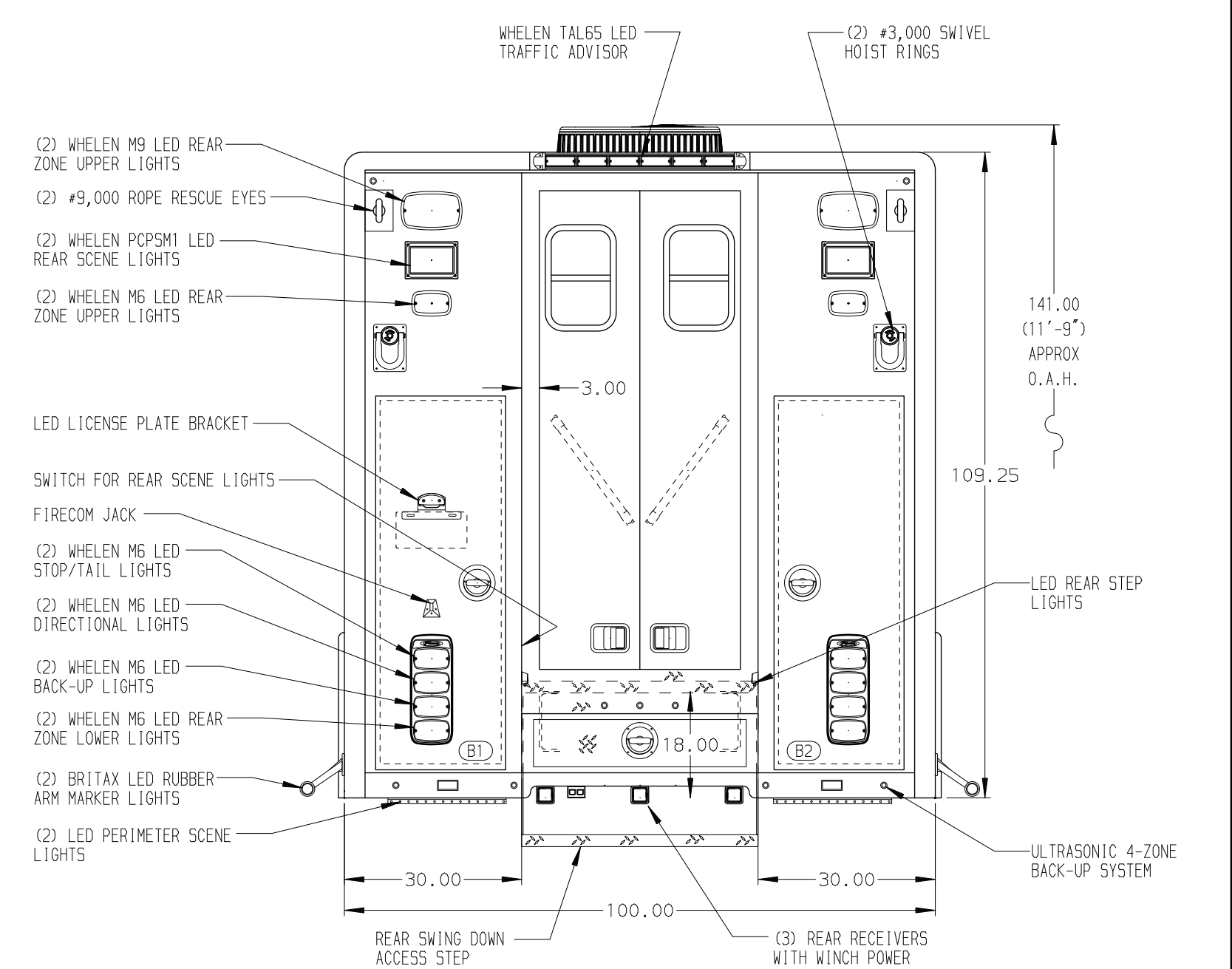
COMPARTMENT L51 CONTAINS:
 - (2) STD DEPTH ADJ SHELVES
 - (1) VERTICAL COMPARTMENT DIVIDER
 - (1) STD DEPTH FLOOR MOUNTED TRAY WITH TOOLBOARD
 - (1) HYDRAULIC REEL FOR 100' OF HOSE
 - (1) HORIZONTAL RE-INFORCED DIVIDER

COMPARTMENT L52 CONTAINS:
 - (2) SWING OUT TOOLBOARDS

COMPARTMENT L53 CONTAINS:
 - (1) VERTICAL COMPARTMENT DIVIDER
 - (4) STD DEPTH ADJ SHELVES
 - (1) 20A, 120V DUPLEX RECEPTACLE
 - 1/2" POLY LIVING ON FLOOR

COMPARTMENT L54 CONTAINS:
 - (1) CAB LIFT CONTROLLER
 - (1) VERTICAL COMPARTMENT DIVIDER
 - (1) 4-DRAWER C-TECH CABINET
 - SCENE LIGHT SWITCH PANEL
 - (1) GENERATOR METER PANEL
 - (1) NIGHT SCAN CONTROLLER
 - (3) STD DEPTH ADJ SHELVES
 - (1) GENERATOR START SWITCH
 - (1) 20A, 120V DUPLEX RECEPTACLE

COMPARTMENT L55 CONTAINS:
 - (2) PIKE POLE TUBES (1) EACH SIDE



NOTE
 DIMENSIONS SHOWN ARE APPROXIMATE AND ARE SUBJECT TO MINOR DEVIATIONS AS MAY OCCUR OR BE NECESSARY IN CONSTRUCTION. MINOR DETAILS NOT SHOWN.

NOTES:
 1. A QAN 15kW SINGLE PHASE PTO DRIVEN GENERATOR WITH S/5 SPLASH GUARD TO BE LOCATED BETWEEN THE FRAME RAILS
 2. ONSPOT AUTOMATIC TIRE CHAINS
 3. AIR INLET/OUTLET WITH DISCONNECT FITTING LOCATED IN DRIVER'S STEP WELL OF CAB
 4. BRUSHED S/5 SCUFFPLATES ON CAB, CREW CAB DOOR JAMBS, AND HANDRAILS
 5. FLOOR IN CAB AND CREW CAB TO BE PADDED RUBBER
 6. FIRECOM 7-POSITION INTERCOM SYSTEM
 7. BLUE SEA P12 40 AMP CHARGER LOCATED BEHIND THE DRIVER'S SEAT
 8. BATTERY CHARGE INDICATOR LOCATED ON DRIVER'S SEAT RISER
 9. (2) #9,000 RECEIVER STYLE ROPE RESCUE EYES
 10. PULL STRAPS ON COMPARTMENT DOORS OVER THE REAR WHEELS
 11. ANDOR LED LIGHTS IN ALL BODY COMPARTMENTS AND FRONT INTERIOR WALL
 12. GAST BRAKE SYSTEM AIR COMPRESSOR ON D.S. REAR FACING EMS CABINET WITH COVER

NOTE:
 LAP DOORS HAVE BEEN SHOWN IN HIDDEN LINES TO CLEARLY IDENTIFY THE EQUIPMENT IN EACH COMPARTMENT. DASHED LINES ON SIDES ARE DOORS IN OPEN POSITION

(SIDE ROLL AND FRONTAL IMPACT PROTECTION)

CLEAR DOOR WIDTH KEY		CHASSIS DATA
ANDOR ROLL UP DOORS:	-2 1/4"	TITLE
CORTITE ROLL UP DOORS:	-2 1/2"	HEAVY DUTY RESCUE WALKIN
PIERCE DOUBLE LAP DOORS:	-4 1/4"	FOR
PIERCE LIFT-UP LAP DOORS:	-1 1/2"	CHESTERFIELD COUNTY, VA
(EX: 60" F-F - 2 1/4" = 57 3/4" CLEAR)		BID #750
(F-F) = FRAME TO FRAME		KEVIN SANDRIDGE
		DWG NO.
		38234AD-SH1
		SHEET NO.
		1 OF 1

		JOB NO.	38234
		SCALE	DATE
		DRAWN BY	12JAN23
		CHECKED BY	16JAN23
		SHEET SIZE	SHEET NO.
			1 OF 1