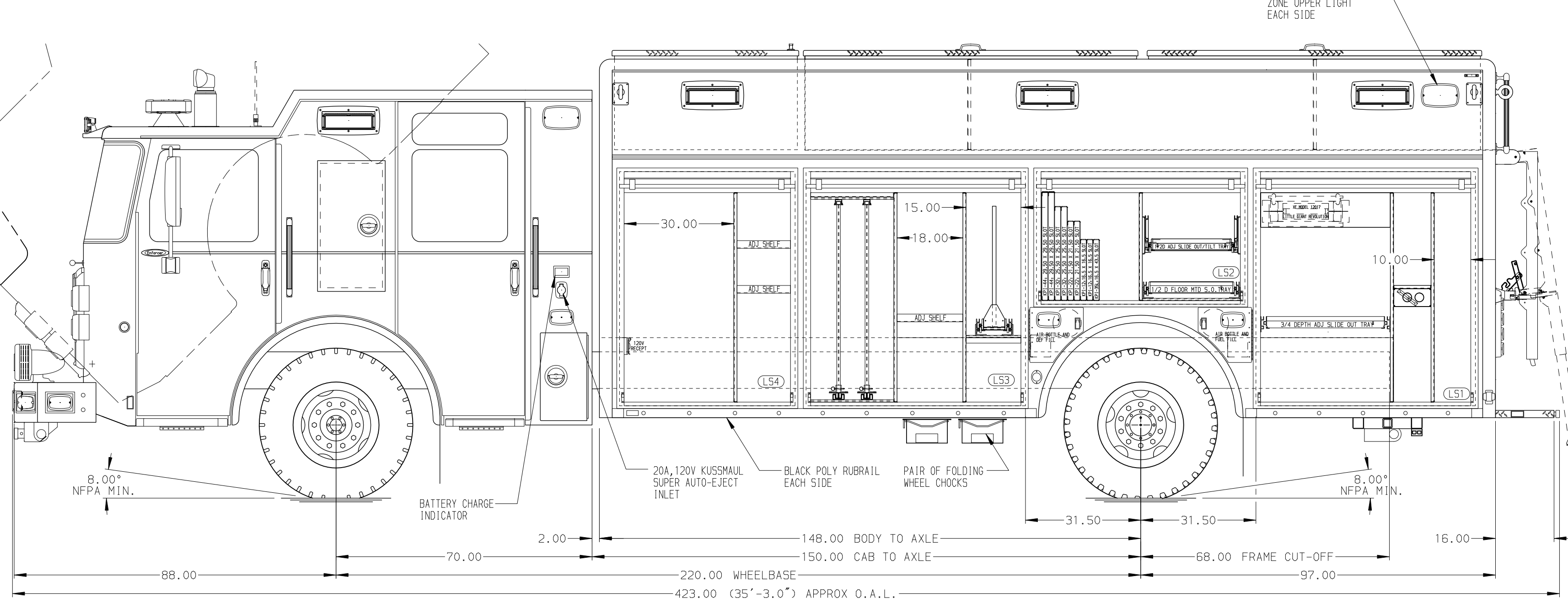
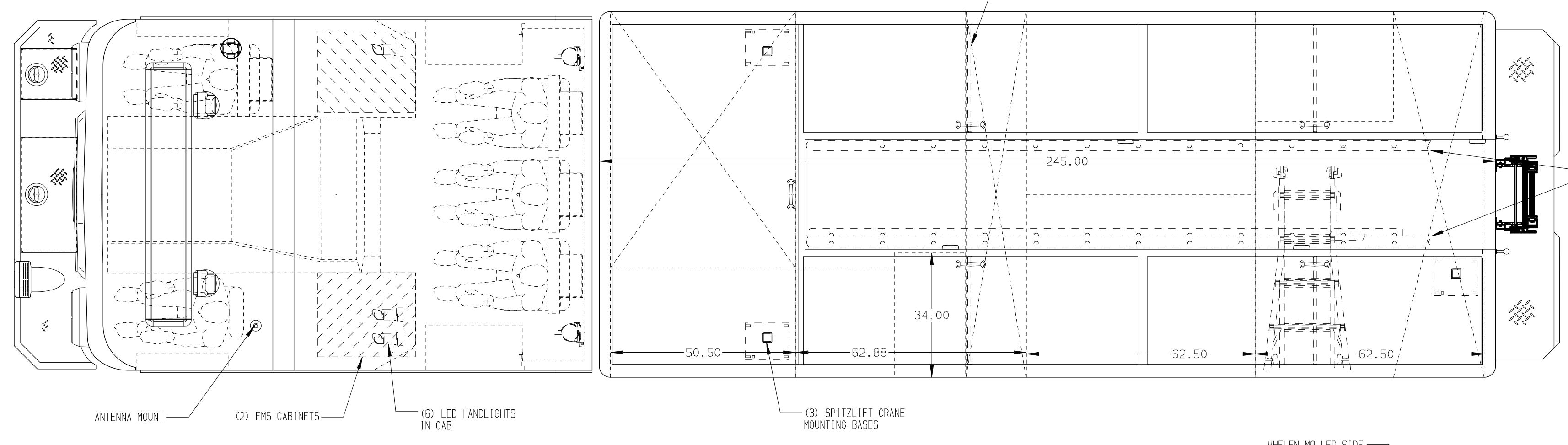
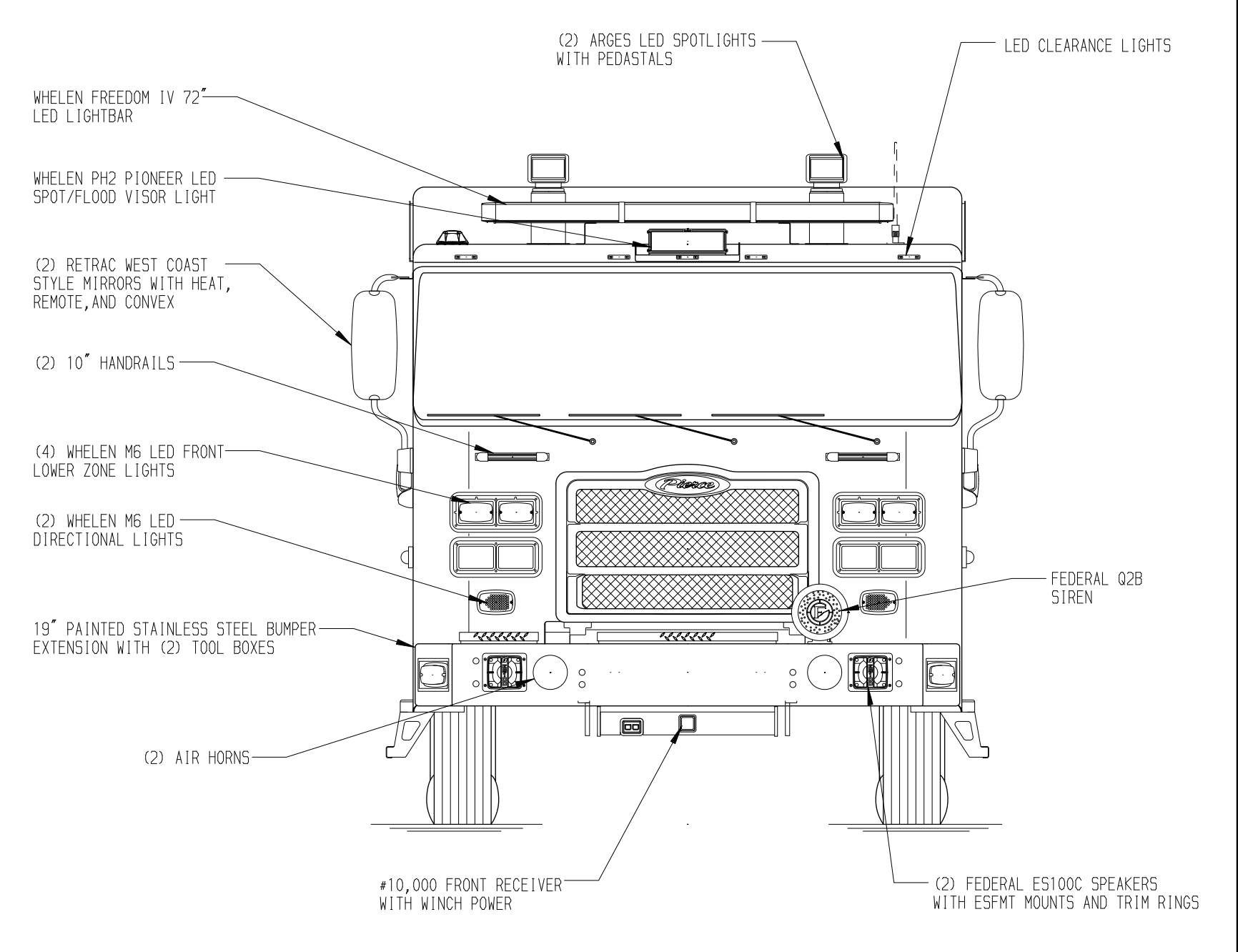
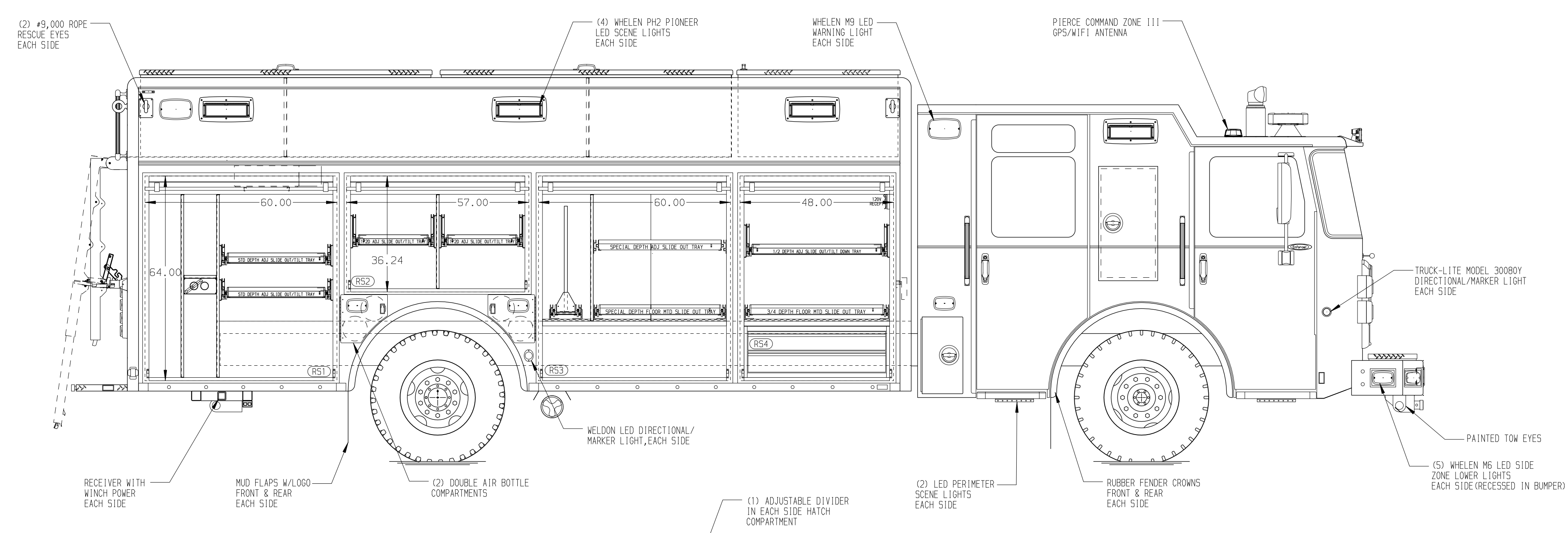
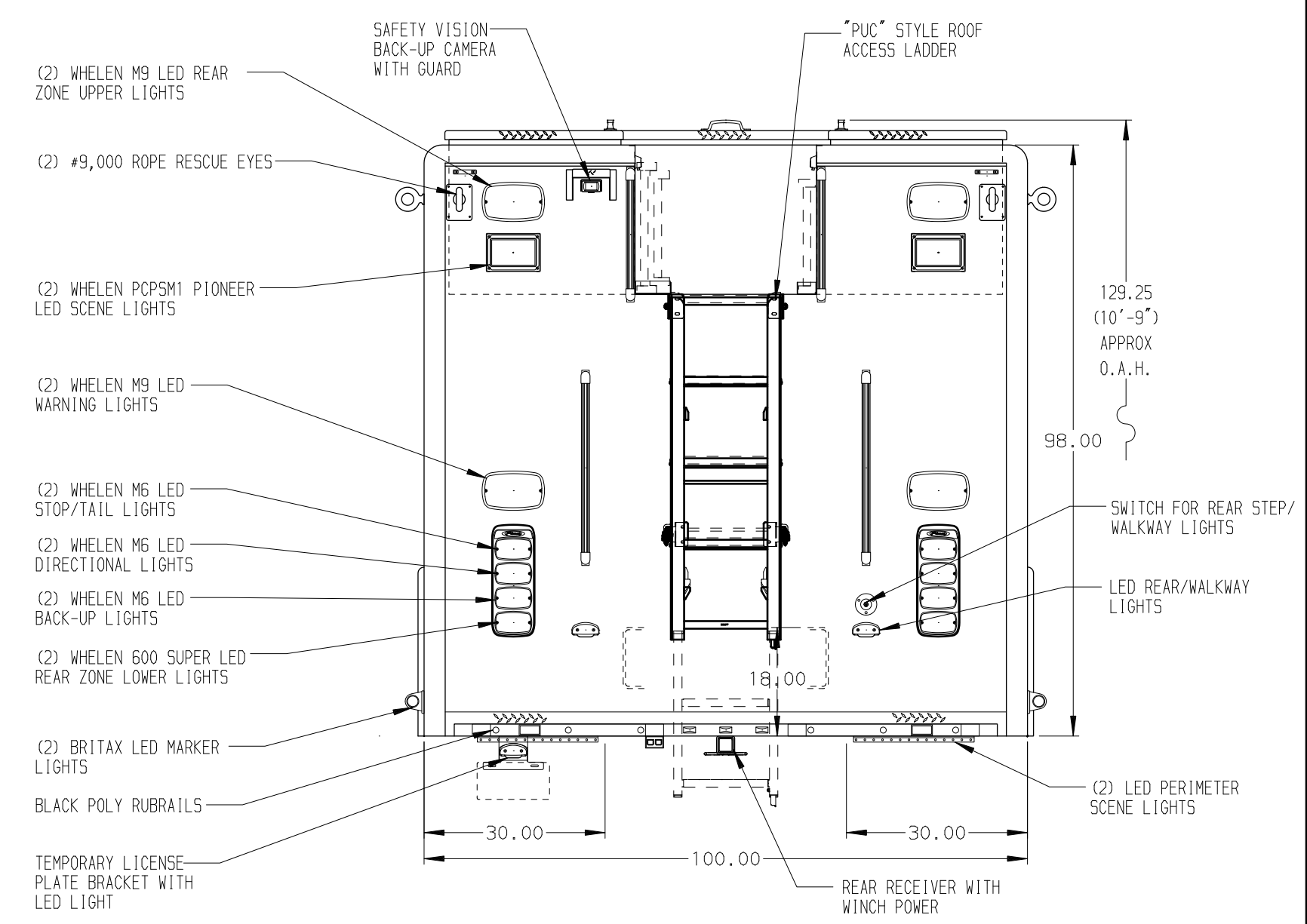


- RIGHT SIDE COMPARTMENTS CONTAIN THE FOLLOWING:**
- COMPARTMENT RS1 CONTAINS:
 - (2) TRANSVERSE VERTICAL DIVIDERS
 - (2) STD DEPTH SLIDE OUT/TILT TRAYS
 - (1) REAR WALL COMPARTMENT DIVIDER
 - (1) RACK FOR 2 PIKE POLES
 - (1) HORIZONTAL COMPARTMENT DIVIDER
- COMPARTMENT RS2 CONTAINS:
 - (1) VERTICAL COMPARTMENT DIVIDER
 - (1) REAR WALL COMPARTMENT DIVIDER
 - (2) 1/2 DEPTH ADJ SLIDE OUT/TILT TRAYS
- COMPARTMENT RS3 CONTAINS:
 - (1) HORIZONTAL FLOOR EXTENSION
 - (1) TRANSVERSE VERTICAL DIVIDER
 - (1) 2-WAY FLOOR MTD SLIDE OUT TOOLBOARD
 - (1) REAR WALL COMPARTMENT DIVIDER
 - (1) SPECIAL DEPTH FLOOR MOUNTED SLIDE OUT TRAY WITH NOTCH
 - (1) SPECIAL DEPTH ADJ SLIDE OUT TRAY WITH NOTCH
- COMPARTMENT RS4 CONTAINS:
 - (1) CAB LIFT CONTROLLER
 - (1) 1/2 DEPTH ADJ SLIDE OUT/TILT TRAY
 - (1) 2-DRAWER C-TECH CABINET
 - (1) HORIZONTAL FLOOR EXTENSION
 - (1) 3/4 DEPTH FLOOR MTD SLIDE OUT TRAY
 - (1) 15/20A, 120V 4-PLACE RECEPTACLE



- LEFT SIDE COMPARTMENTS CONTAIN THE FOLLOWING:**
- COMPARTMENT LS1 CONTAINS:
 - (2) TRANSVERSE VERTICAL DIVIDERS
 - (1) 3/4 DEPTH ADJ SLIDE OUT TRAY
 - (1) RACK FOR LITTLE GIANT LADDER
 - (1) RACK FOR 2 PIKE POLES
 - (1) HORIZONTAL COMPARTMENT DIVIDER
- COMPARTMENT LS2 CONTAINS:
 - (1) REAR WALL COMPARTMENT DIVIDER
 - (1) VERTICAL COMPARTMENT DIVIDER
 - (1) RACK FOR 9 AIR BAGS
 - (1) 1/2 DEPTH FLOOR MTD SLIDE OUT TRAY
 - (1) 1/2 DEPTH ADJ SLIDE OUT/TILT TRAY
- COMPARTMENT LS3 CONTAINS:
 - (1) HORIZONTAL FLOOR EXTENSION
 - (1) VERTICAL COMPARTMENT DIVIDER
 - (1) 2-WAY FLOOR MTD SLIDE OUT TOOLBOARD
 - (1) SPECIAL DEPTH ADJ SHELF
 - (2) STD DEPTH ADJ SLIDE OUT TOOLBOARDS
 - (1) TRANSVERSE VERTICAL DIVIDER
 - (1) REAR WALL COMPARTMENT DIVIDER
- COMPARTMENT LS4 CONTAINS:
 - (1) REAR WALL COMPARTMENT DIVIDER
 - (1) VERTICAL COMPARTMENT DIVIDER
 - (2) STD DEPTH ADJ SHELVES
 - (1) 15/20A, 120V 4-PLACE RECEPTACLE



NOTE
 DIMENSIONS SHOWN ARE APPROXIMATE AND ARE SUBJECT TO MINOR DEVIATIONS AS MAY OCCUR OR BE NECESSARY IN CONSTRUCTION. MINOR DETAILS NOT SHOWN.

- NOTES:**
- SPITZLIFT 12V PORTABLE CRANE MOUNTED IN DRIVER'S SIDE REAR HATCH COMPARTMENT
 - AIR INLET WITH DISCONNECT COUPLING LOCATED IN THE DRIVER'S SIDE LOWER CAB STEP WELL
 - FLOOR IN CAB AND CREW CAB TO BE PADDED RUBBER
 - KUSSMAUL PUMP PLUS 120V CHARGER LOCATED BEHIND THE DRIVER'S SEAT
 - PIERCE LED STRIP LIGHTS IN ALL BODY AND HATCH COMPARTMENTS
 - (1) 20A, 120V 6-PLACE RECEPTACLE STRIP IN EACH BODY COMPARTMENT
 - ONSPOT AUTOMATIC TIRE CHAINS
 - (2) 15/20A, 120V 4-PLACE RECEPTACLES, (1) BEHIND DRIVER'S SEAT AND (1) BEHIND OFFICER'S SEAT
 - FIRECOM 5200D 6-POSITION INTERCOM SYSTEM
 - 5/5 GUARD/DRIP PAN ON RS4 ROLL-UP DOOR
 - WARN #8,000 PORTABLE RECEIVER STYLE WINCH

MAXIMUM O.A.H. 11'-0"
 SIDE ROLL AND FRONTAL IMPACT PROTECTION

CLEAR DOOR WIDTH KEY		CHASSIS DATA
AMOR ROLL UP DOORS:	-2 1/4"	170CT23 DHE CDK
CORTITE ROLL UP DOORS:	-2 1/2"	11JUL23 DHE CDK
PIERCE DOUBLE LIP DOORS:	-4 1/4"	07JUL23 DHE CDK
PIERCE LIFT-UP LAP DOORS:	-1 1/2"	REV DATE BY CH
(EX: 60" F-F - 2 1/4" = 57 3/4" CLEAR)		EN7010

Pierce MANUFACTURING INC.		JOB NO.	38247
		SCALE	DATE
		1:24	
		DRAWN BY	08FEB23
		DHE	
		CHECKED BY	09FEB23
		CDK	
		SHEET SIZE	SHEET NO.
		D	1 OF 1
TITLE		HEAVY DUTY RESCUE NON-WALKIN	
FOR		KANSAS CITY, KANSAS	
		BID #472	
DWG NO.		38247AD	
		KARL SCHULTZ	