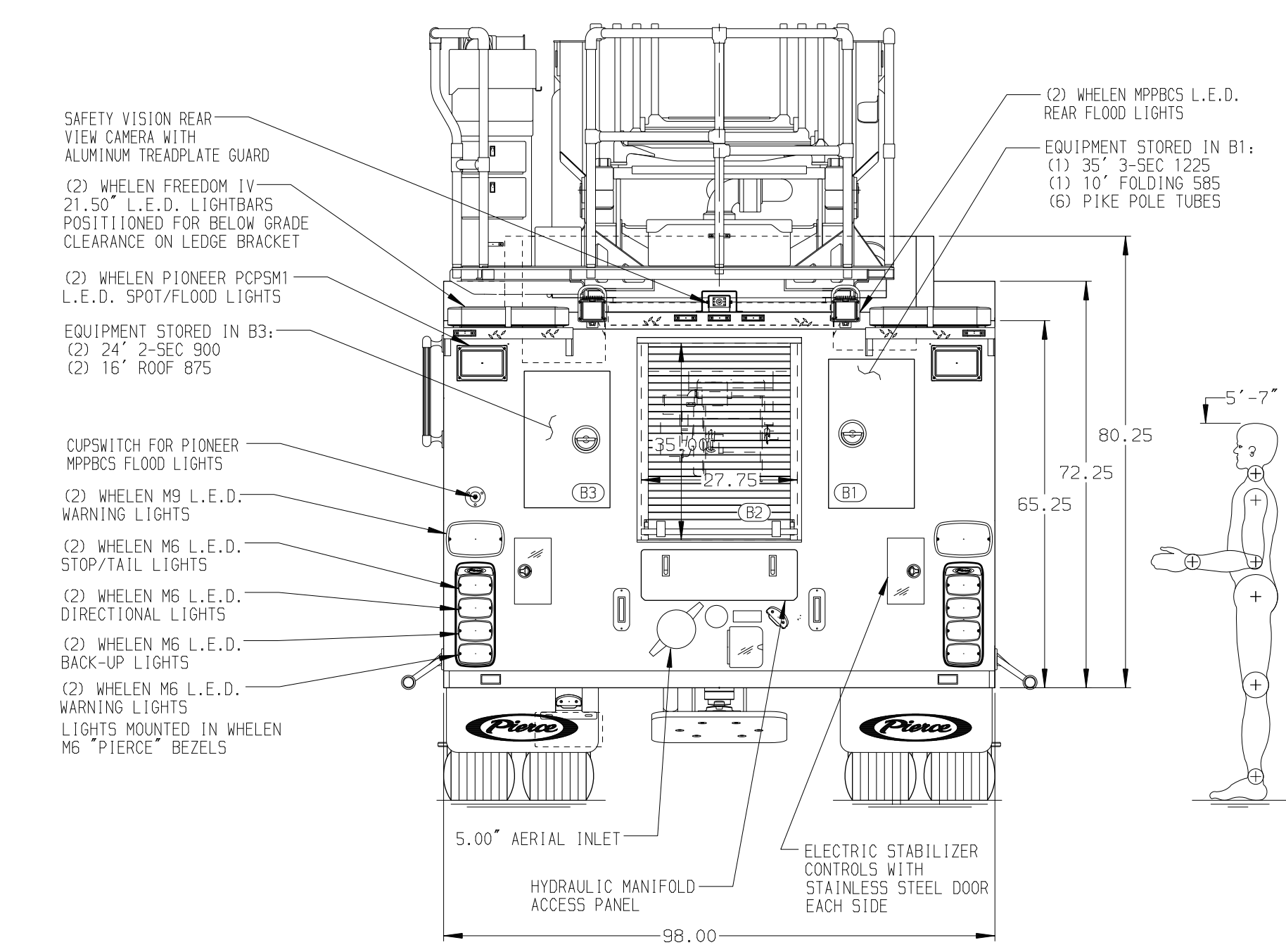


BODY
 107' ASL Aluminum Body
 COMPT, LEFT SIDE FRONT
 Full Height RollUp Forward
 COMPT, LEFT SIDE REAR
 Full Height RollUp Rearward
 COMPT, RIGHT SIDE FRONT
 Full Height RollUp Forward
 COMPT, RIGHT SIDE REAR
 Full Height RollUp Rearward



CHASSIS Enforcer Chassis ENGINE 450 HP Cummins L9 Engine	CAB 7010 Notched Enforcer Cab BUMPER 19" Extended Painted Steel	AXLE, FRONT, CUSTOM 22,800 Lb Dana Axle AXLE, REAR 33,500 Lb Meritor Axle	TRANSMISSION Allison 6th Gen, 3000 EVS P	COMPARTMENT-NO PUMP 60" Wide w/RollUp Door GENERATOR Harrison Bkw MAS-D Hydraulic	SAFETY Side Roll and Frontal Impact Protection
---	--	--	--	--	---

NOTE
 DIMENSIONS SHOWN ARE APPROXIMATE AND ARE SUBJECT TO MINOR DEVIATIONS AS MAY OCCUR OR BE NECESSARY IN CONSTRUCTION. MINOR DETAILS NOT SHOWN.

- ONSPOT AUTOMATIC TIRE CHAINS TO BE PROVIDED AT REAR
- AIR INLET WITH DISCONNECT COUPLING AT FORWARD DRIVER'S SIDE STEPWELL
- BATTERY CHARGER LOCATED BEHIND DRIVER'S SEAT
- ELEVEN ADJ SHELVES PER ORDER
- SIX FLOOR MOUNTED SLIDE-OUT TRAYS PER ORDER
- NO LIMITED RETRACTION
- CIRCUIT BREAKER PANEL PER ORDER
- SIX 120V RECEPTACLES PER ORDER
- ONE SLIDE-OUT 2-WAY (FULL TRANS) TRAY PER ORDER
- ONE SWING-OUT TOOLBOARD PER ORDER
- L.E.D. LIGHTING ON AERIAL LADDER SECTIONS
- 2-WAY INTERCOM SYSTEM BETWEEN AERIAL TIP AND TURNABLE
- LIFTING EYE ROPE RESCUE ATTACHMENT AT AERIAL TIP
- 1500 GPM HIGH FLOW WATERWAY
- LITTLE GIANT MODEL 13 STORED IN COMPARTMENT PER ORDER
- ONE VERTICAL PARTITION PER ORDER
- MOUNTING FOR STOKES BASKET PER ORDER
- ONE HANNAY ELECTRIC REWIND CORD REEL MODEL 1618-17-18 LOCATED IN B2 COMPARTMENT WITH 200' PER ORDER OF 10/3 CABLE
- ONE ALCO-LITE PWL-06 LADDER STORED IN TRANSVERSE COMPARTMENT PER ORDER
- FOUR RECEPTACLES LOCATED IN CAB PER ORDER
- NINE RECEPTACLES LOCATED IN COMPARTMENTS PER ORDER
- MOUNTING FOR STOKES BASKET IN TRANSVERSE COMPARTMENT
- MOUNTING FOR 6" ALCO-LITE PWL-06 IN TRANSVERSE COMPARTMENT

		JOB NO.	38249
		SCALE	DATE
TITLE	107' ASCENDANT AERIAL LADDER AND BODY ASSEMBLY NO PUMP/NO TANK.	DRAWN BY	LWE
FOR	KANSAS CITY KANSAS CITY, KANSAS	CHECKED BY	SMA
DWG NO.	38249AD	SHEET SIZE	SHEET NO.
		D	1 OF 1