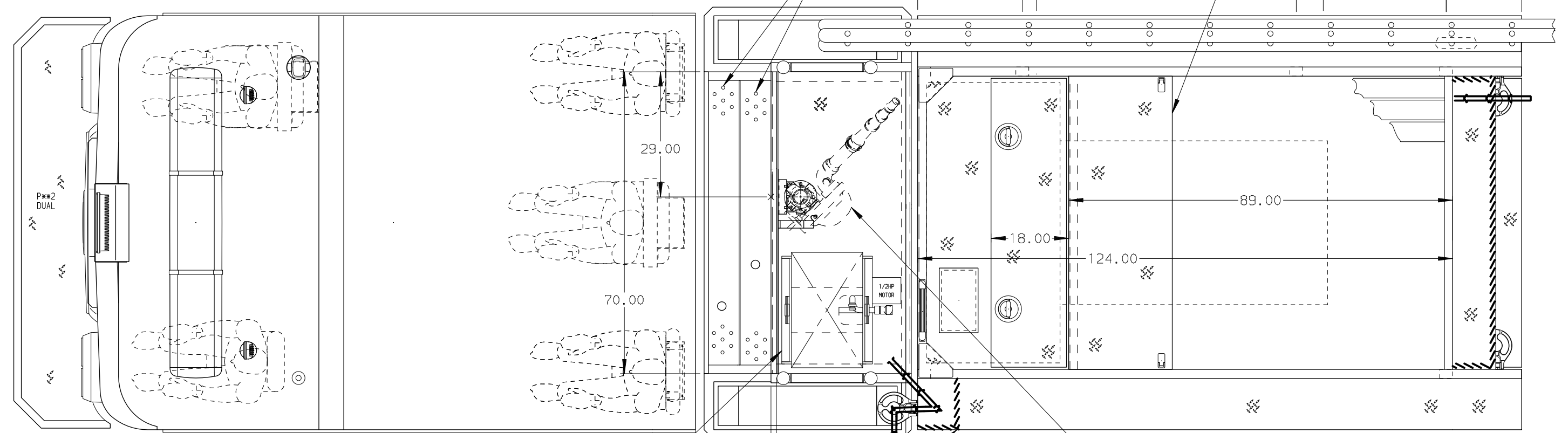
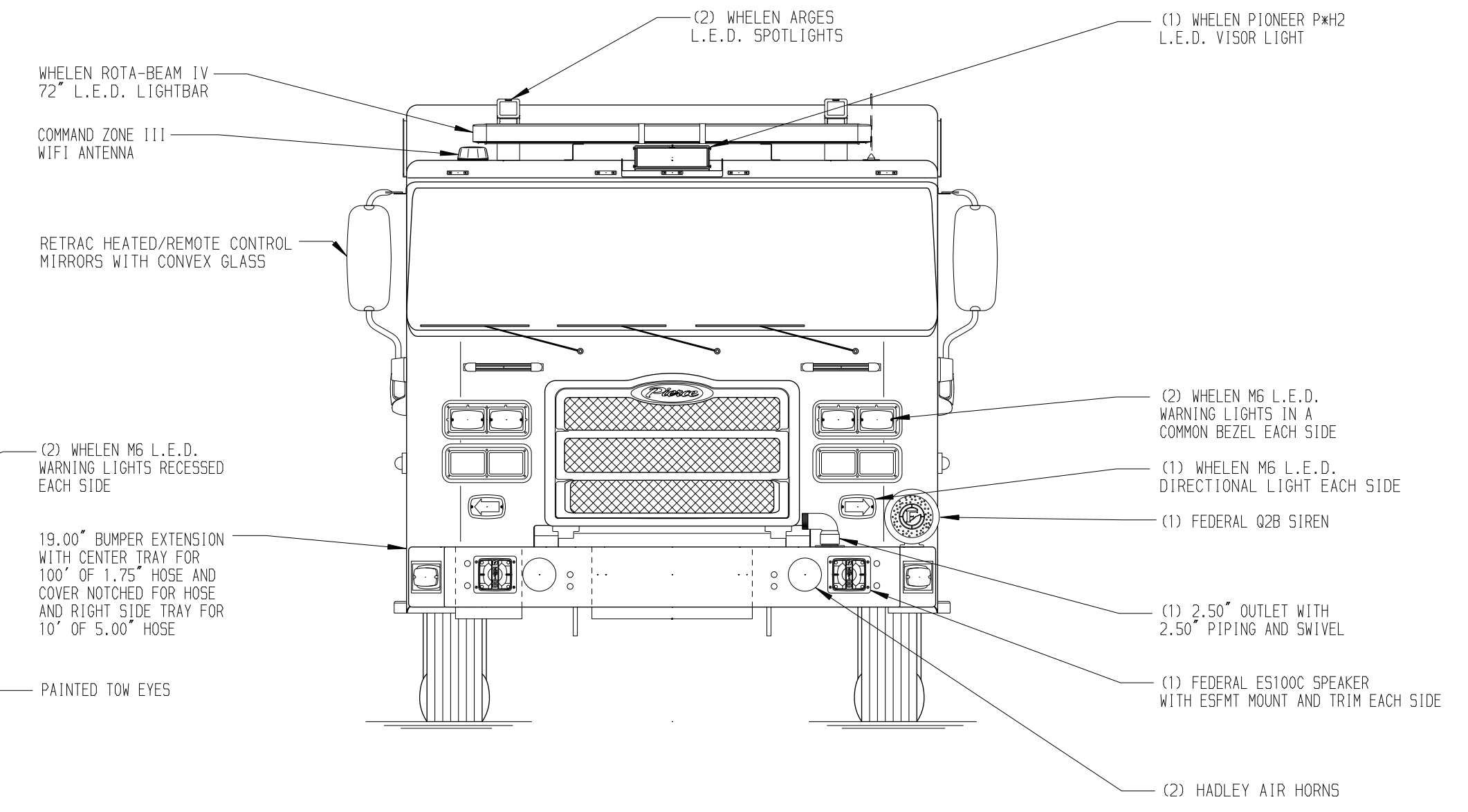
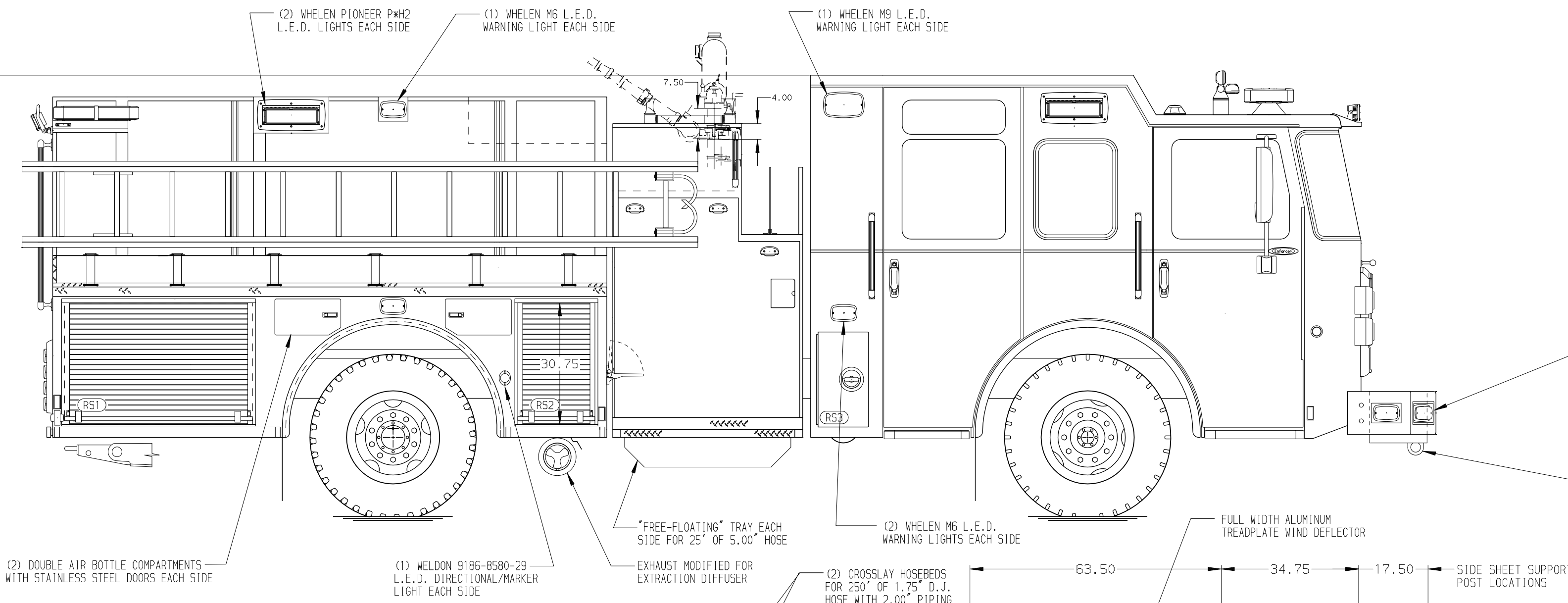
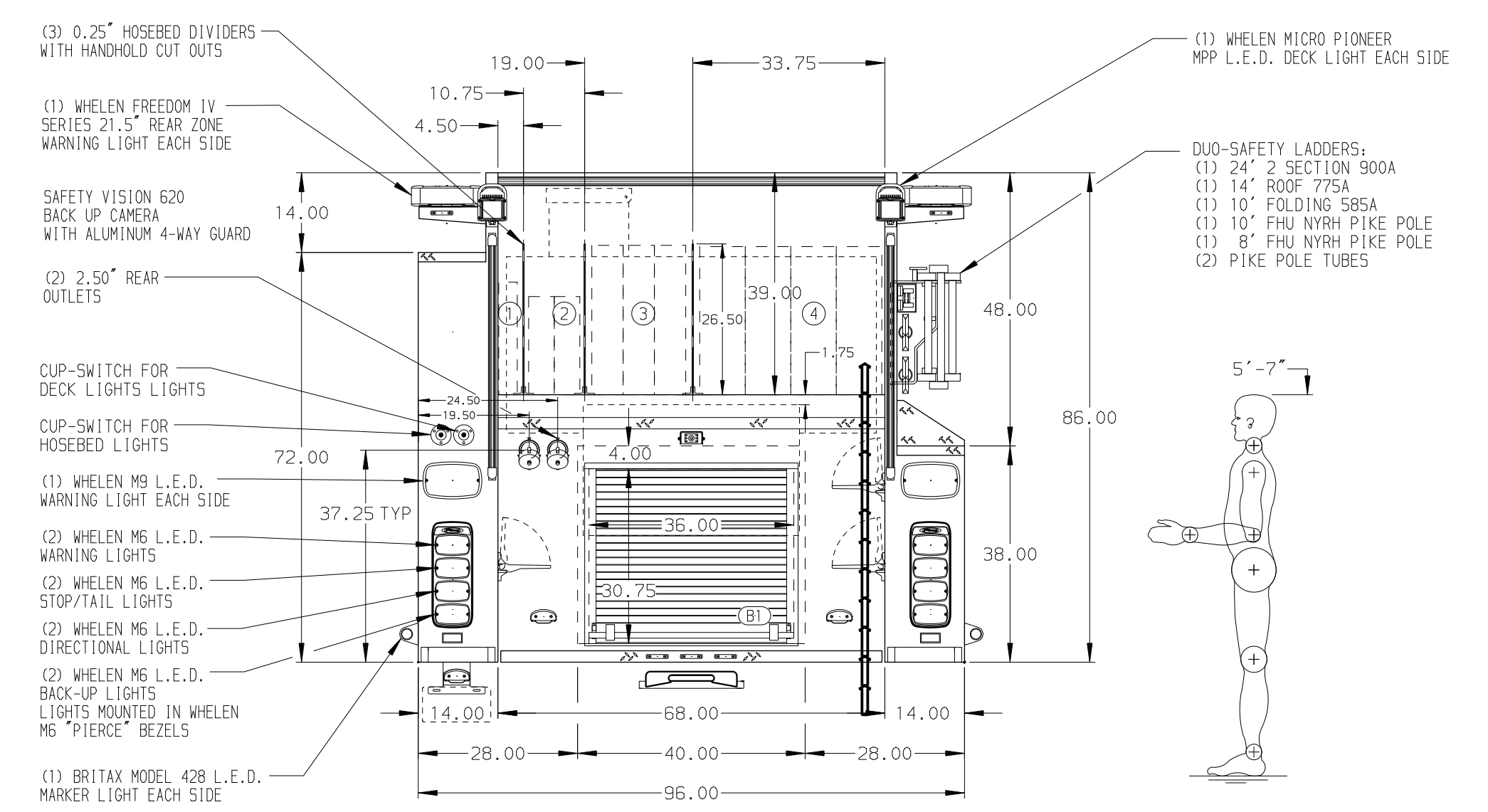
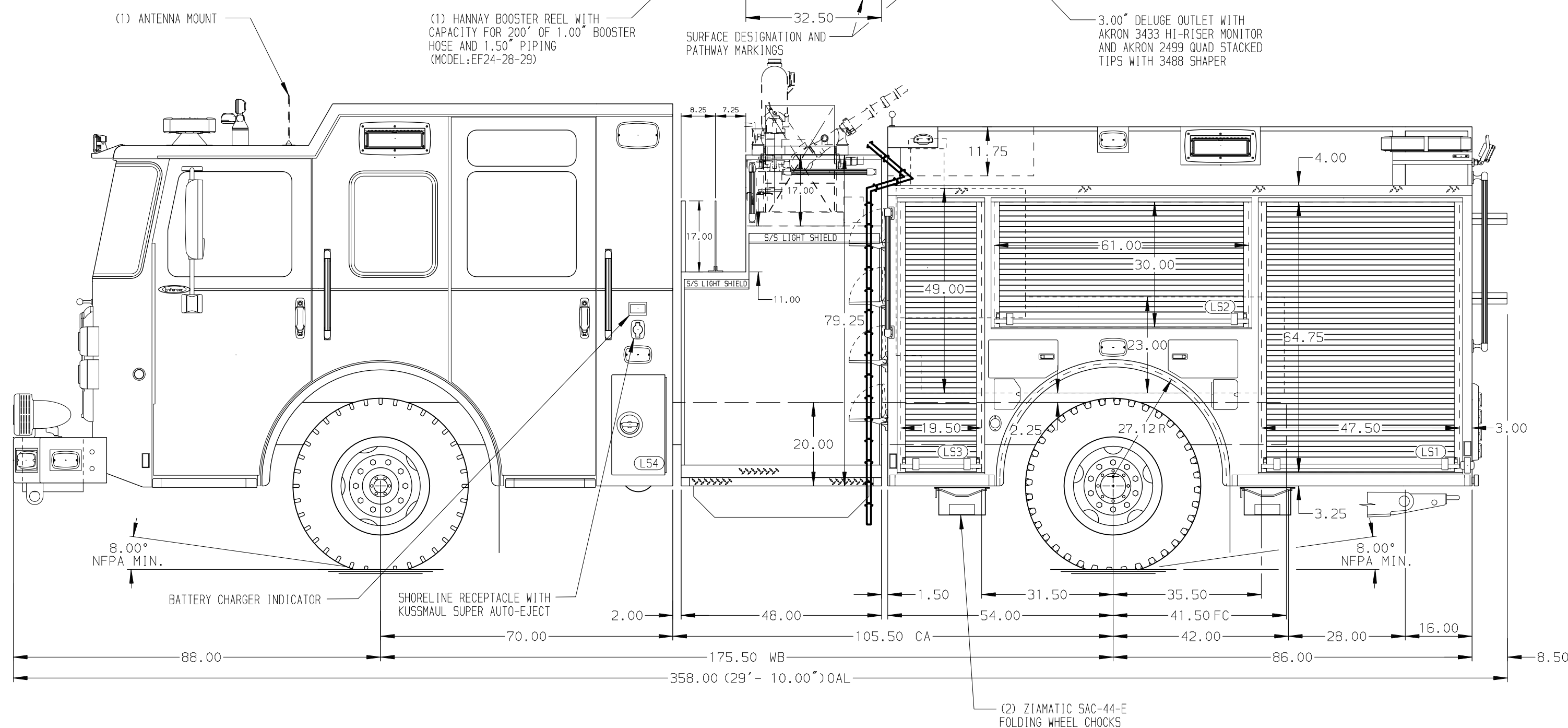


113.00
(9'-5")
APPROX
O.A.H.



HOSEBED CAPACITIES

①	- 200' OF 1.75" D.J. HOSE
②	- 300' OF 2.50" D.J. HOSE
③	- 700' OF 3.00" D.J. HOSE
④	- 950' OF 5.00" D.J. HOSE



ALUMINUM BODY

MAXIMUM O.A.H. 113"

SIDE ROLL AND FRONTAL IMPACT PROTECTION

NOTE
DIMENSIONS SHOWN ARE APPROXIMATE AND ARE SUBJECT TO MINOR DEVIATIONS AS MAY OCCUR OR BE NECESSARY IN CONSTRUCTION.
MINOR DETAILS NOT SHOWN.

- AIR INLET WITH DISCONNECT COUPLING LOCATED IN DRIVER'S SIDE STEP WELL
- ONSPOUT AUTOMATIC TIRE CHAINS TO BE PROVIDED AT REAR
- SINGLE POINT LUBE SYSTEM PUMP LOCATED PER SHOP ORDER
- BATTERY CHARGER LOCATED BEHIND DRIVER'S SEAT
- DUAL L.E.D. LIGHT STRIPS LOCATED IN HOSE BED
- SIX ADJUSTABLE FULL WIDTH/DEPTH SHELVES IN COMPARTMENTS PER SHOP ORDER
- ONE FLOOR MOUNTED SLIDE-OUT TRAY IN COMPARTMENT PER SHOP ORDER
- ONE SMOOTH ALUMINUM TOOLBOARD W/TRACK ON REAR WALL OF COMPARTMENT PER SHOP ORDER
- ONE SMOOTH ALUMINUM TOOLBOARD WITH NO HOLES ADDED TO SLIDE-OUT TRAY IN COMPARTMENT PER SHOP ORDER
- ONE ALUMINUM TOOLBOARD ON BACK WALL OF COMPARTMENT PER SHOP ORDER
- TWO PARTITIONS IN COMPARTMENT PER SHOP ORDER

CHASSIS DATA	TITLE	2000-D-500P 140" PUMPER BODY, (2)CROSSLAYS, DELUGE BOOSTER REEL, LADDERS ON PASSENGERS SIDE SHEET
MAKE	FOR	UNIFIED GOVERNMENT OF WYANDOTTE COUNTY KANSAS CITY, KANSAS
MODEL	DWG NO.	38250AD-SH1
ENFORCER	SHEET NO.	D 1 OF 2
REV	DATE	BY
27JUL23	ARI	SMA
19MAY23	ARI	SMA

	JOB NO.	38250
	SCALE	DATE
	DRAWN BY	16MAR23
	CHECKED BY	16MAR23
	SHEET SIZE	SHEET NO.
	D	1 OF 2