

Pumper, PUC BODY

Pumper, PUC, Aluminum

CHASSIS

Enforcer Chassis, PUC

CHASSIS AXLE, FRONT, CUSTOM

19,500 Lb TAK-4 Axle

AXLE, REAR

31,000 Lb Dana Axle

ENGINE

450 HP Cummins L9 Engine

TRANSMISSION

Allison 6th Gen, 3000 EVS P

BUMPER

22" Extended Stainless Steel

CAB

7010 Enforcer Cab, PUC

BODY

WATER TANK

975 Gallon Poly Water Tank

COMPT, PUMPER, REAR

33.50" FF RollUp Rear Compt w/Tailboard, PUC

COMPT, PUMPER, LEFT SIDE

189" RollUp Full Height & Depth Front & Rear, PUC

COMPT, PUMPER, RIGHT SIDE

189" RollUp Full Height & Depth Front & Rear, PUC

FIRE SUPPRESSION PUMPHOUSE

Control Zone, PUC

PUMP

1500 GPM Pierce PUC

CROSSLAYS, 1.50"

(2) 1.50", Poly Trays, 200'

CROSSLAYS, 2.50"

(1) 2.50", Poly Tray, 200'

GENERATOR

MSV 6KW

Foam System

Husky 12 Single Agent Foam System

Foam Cell

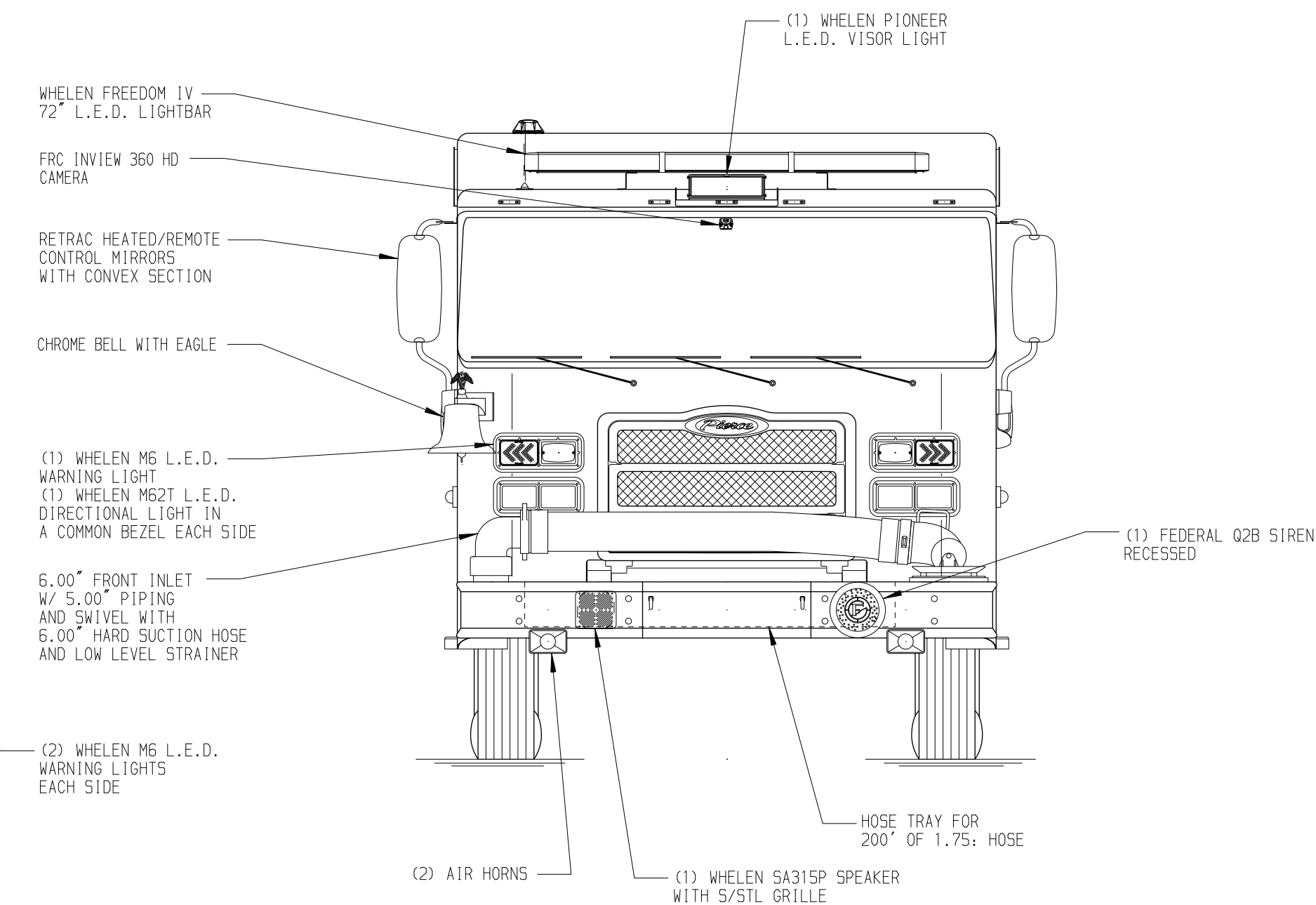
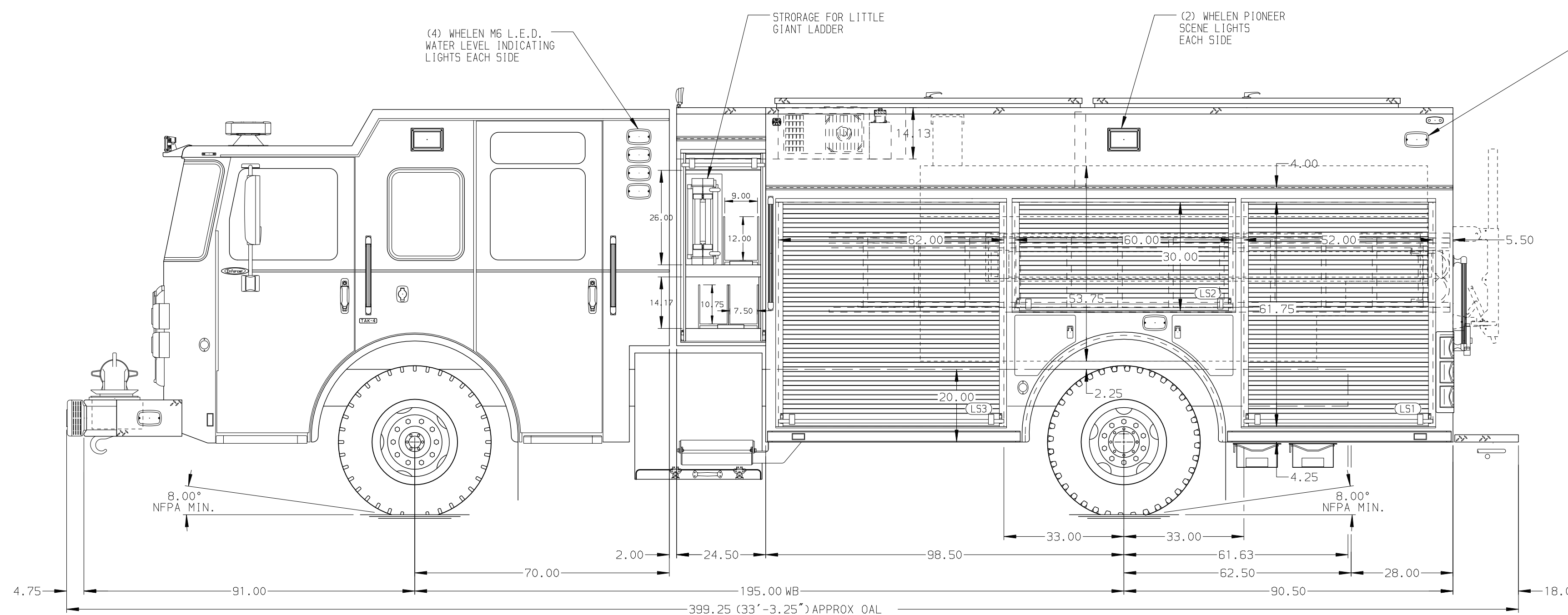
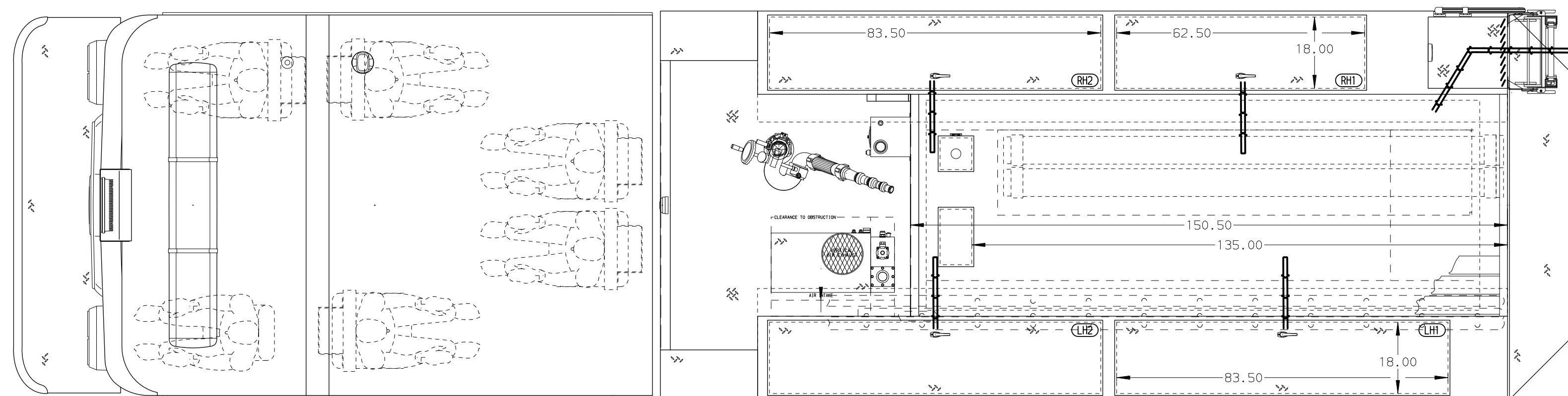
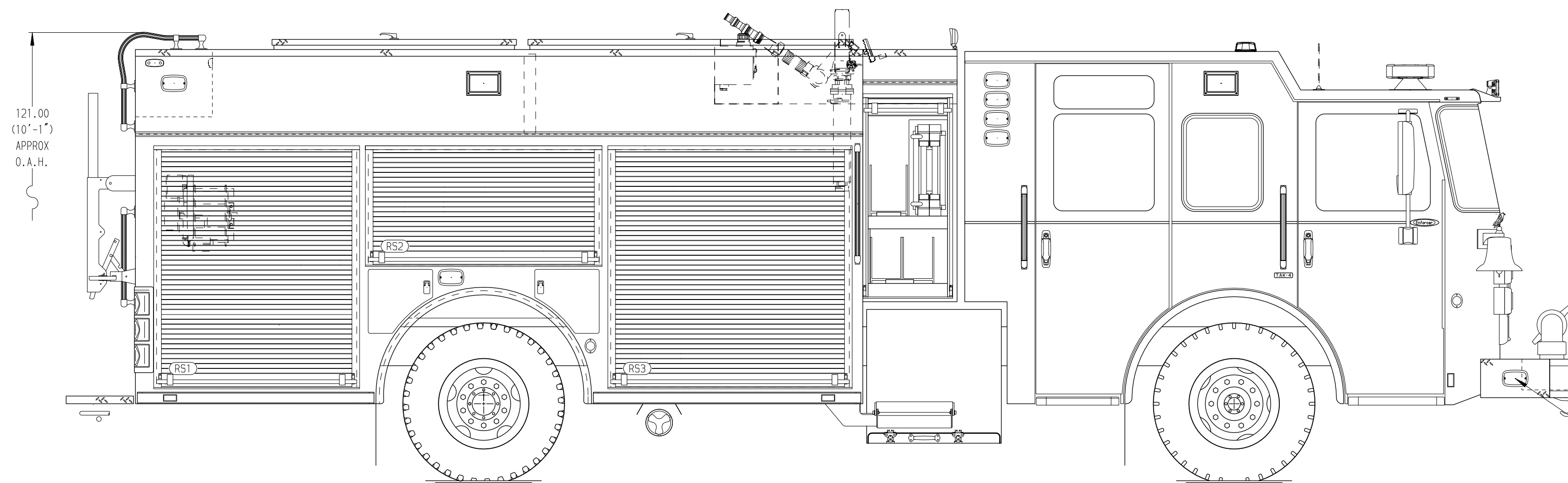
25 Gallon Foam Cell, Reduced Water, PUC

Side Roll and Frontal Impact Protection

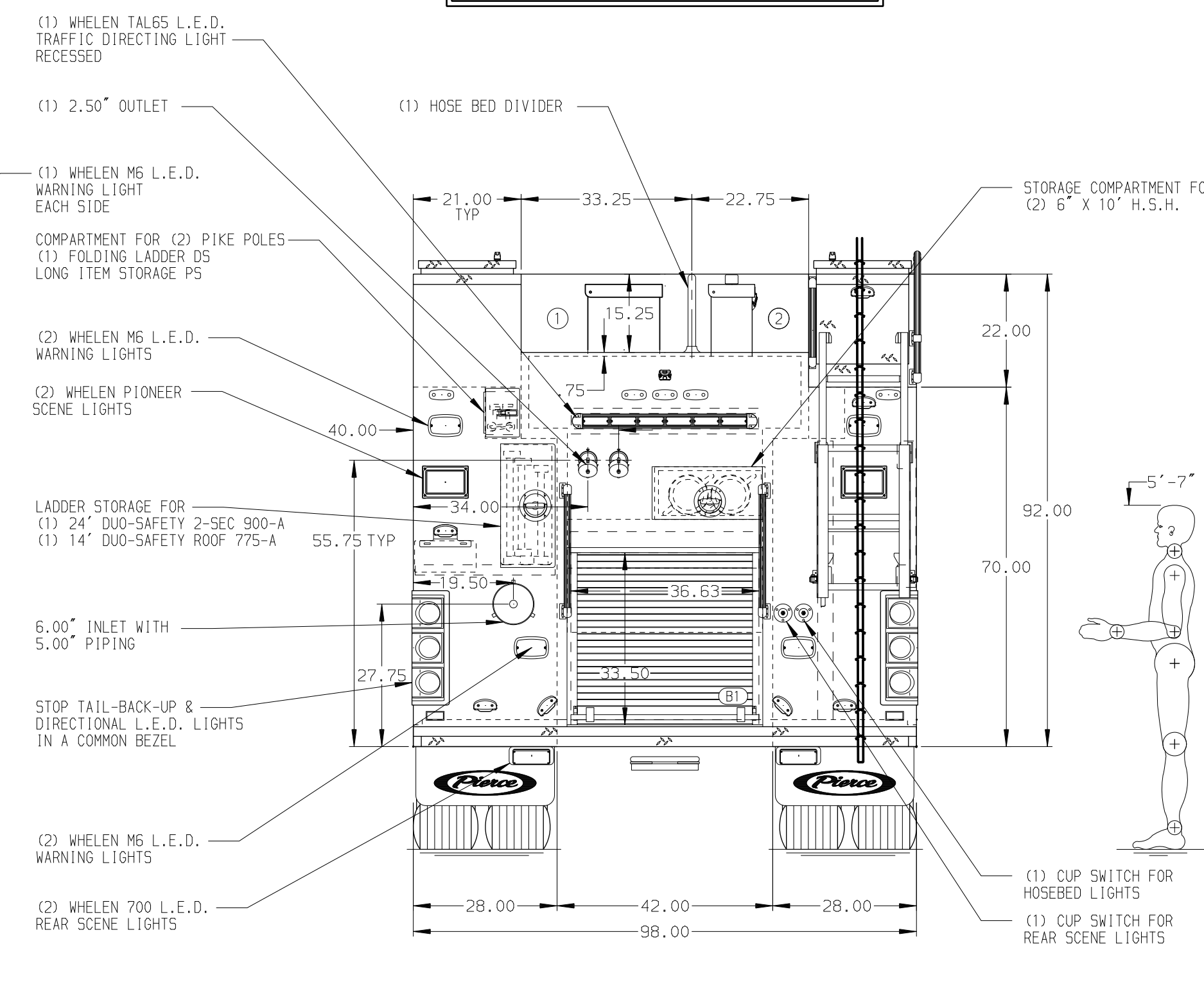
NOTE

DIMENSIONS SHOWN ARE APPROXIMATE AND ARE SUBJECT TO MINOR DEVIATIONS AS MAY OCCUR OR BE NECESSARY IN CONSTRUCTION. MINOR DETAILS NOT SHOWN.

- ONE 1.50" OUTLET WITH 2.00" PIPING AND SWIVEL LOCATED IN CENTER BUMPER TRAY
- SHORELINE RECEPTACLE WITH KISSMALL SUPER AUTO-EJECT LOCATED ON DRIVER SIDE OF THE CAB
- AIR INLET WITH DISCONNECT COUPLING IN THE DRIVER SIDE STEPMELL
- BATTERY CHARGER LOCATED PER ORDER
- BATTERY CHARGE INDICATOR LOCATED ON THE DRIVER SIDE SEAT RISER
- TEN ADJUSTABLE SHELVES LOCATED PER ORDER
- TWO FLOOR MOUNTED SLIDE-OUT TRAY LOCATED PER ORDER
- ONE CTECH THREE DRAWER ASSEMBLY LOCATED PER SHOP ORDER
- TWO SING-OUT TOOLBOARDS LOCATED PER SHOP ORDER
- ONE HANNAY ELECTRIC CORD REEL (E1616-17-18) FOR 200' OF 10/3 CABLE LOCATED PER SHOP ORDER



HOSEBED CAPACITY	
BED 1	900' OF 5.00" D.J. POLY HOSE
BED 2	900' OF 3.00" D.J. POLY HOSE



CUSTOMER APPROVAL			
APPROVED BY:			
DATE:			
CHASSIS DATA	TITLE	Pierce PUC Pumper Approval Drawing	
MAKE	FOR	Mauston Fire Department	
PIERCE	DWG NO.	38257AD	
MODEL	ENFORCER		
REV	DATE	BY	CH

Pierce MANUFACTURING INC.		JOB NO.	38257
SCALE	1:24	DATE	
DRAWN BY	MMF	DATE	19JUL22
CHECKED BY	COL	DATE	20JUL22
SHEET SIZE	D	SHEET NO.	1 OF 1