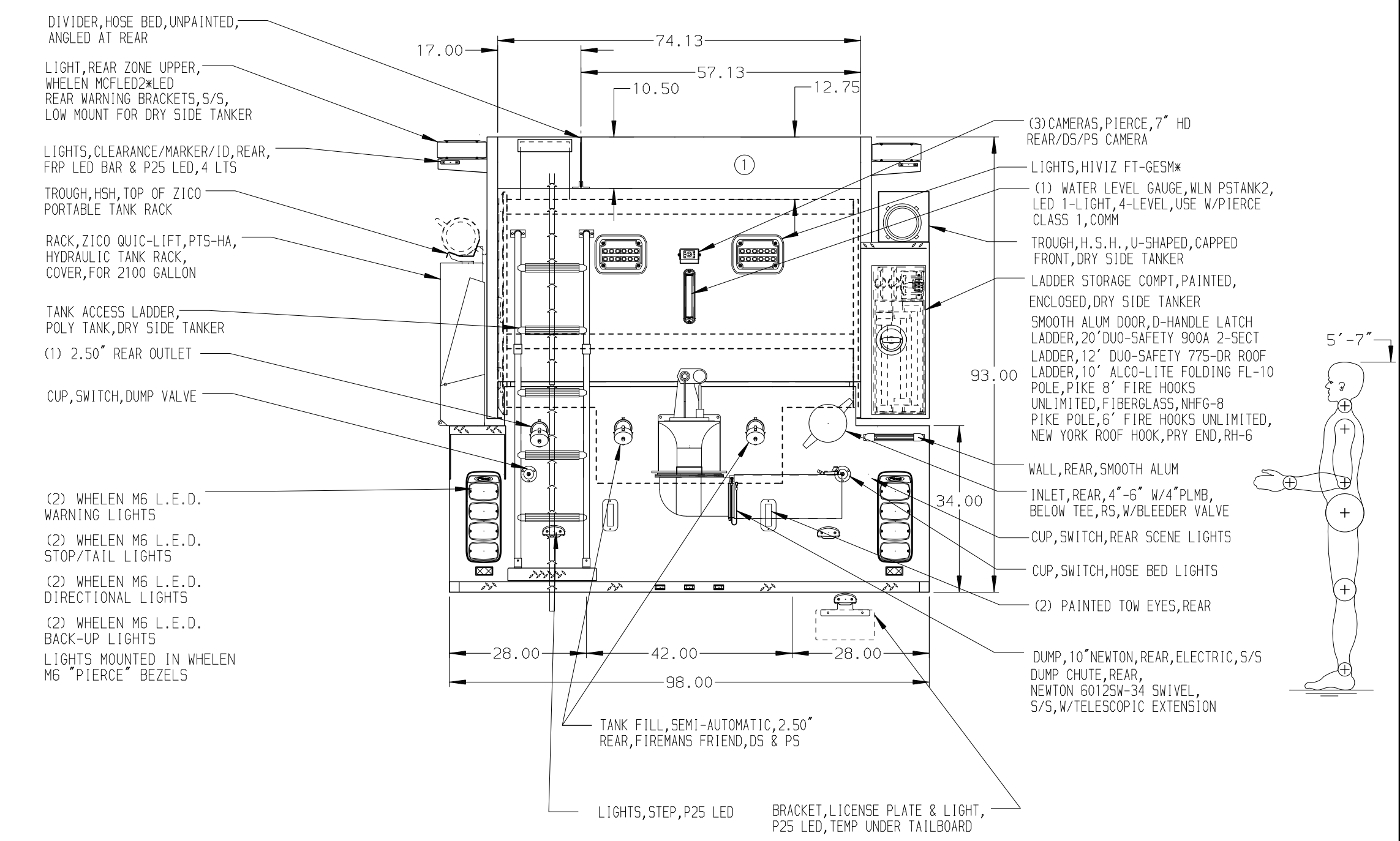
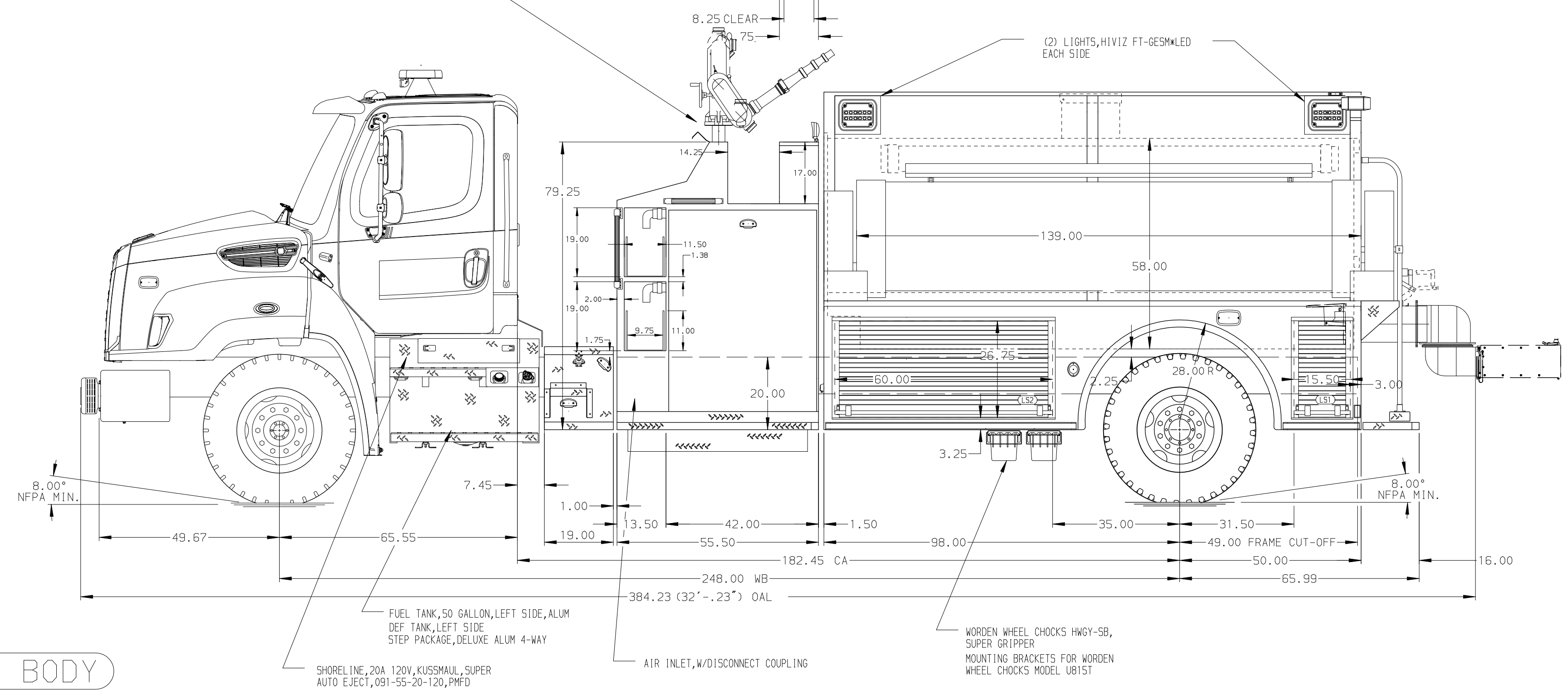


HOSEBED CAPACITIES  
① 1000" OF 5.00" D.J. POLYESTER HOSE



ALUMINUM BODY

NOTE  
DIMENSIONS SHOWN ARE APPROXIMATE AND ARE SUBJECT TO MINOR DEVIATIONS AS MAY OCCUR OR BE NECESSARY IN CONSTRUCTION. MINOR DETAILS NOT SHOWN.

		JOB NO.	38279
		SCALE	DATE
MANUFACTURING INC. BRADENTON, FLORIDA		DRAWN BY	RHU
TITLE 1500-D-2000 POLY 148" DRYSIDE BODY 42" TOP MOUNT, (2) 1.5" SPEEDLAYS, (1) 2.5" CROSSLAY		CHECKED BY	RWI
FOR BRIDGEWATER FIRE COMPANY INC. BRIDGEWATER, NY		SHEET SIZE	SHEET NO.
DWG NO.		38279AD	
REV DATE BY CH 1145D		D 1 OF 1	