

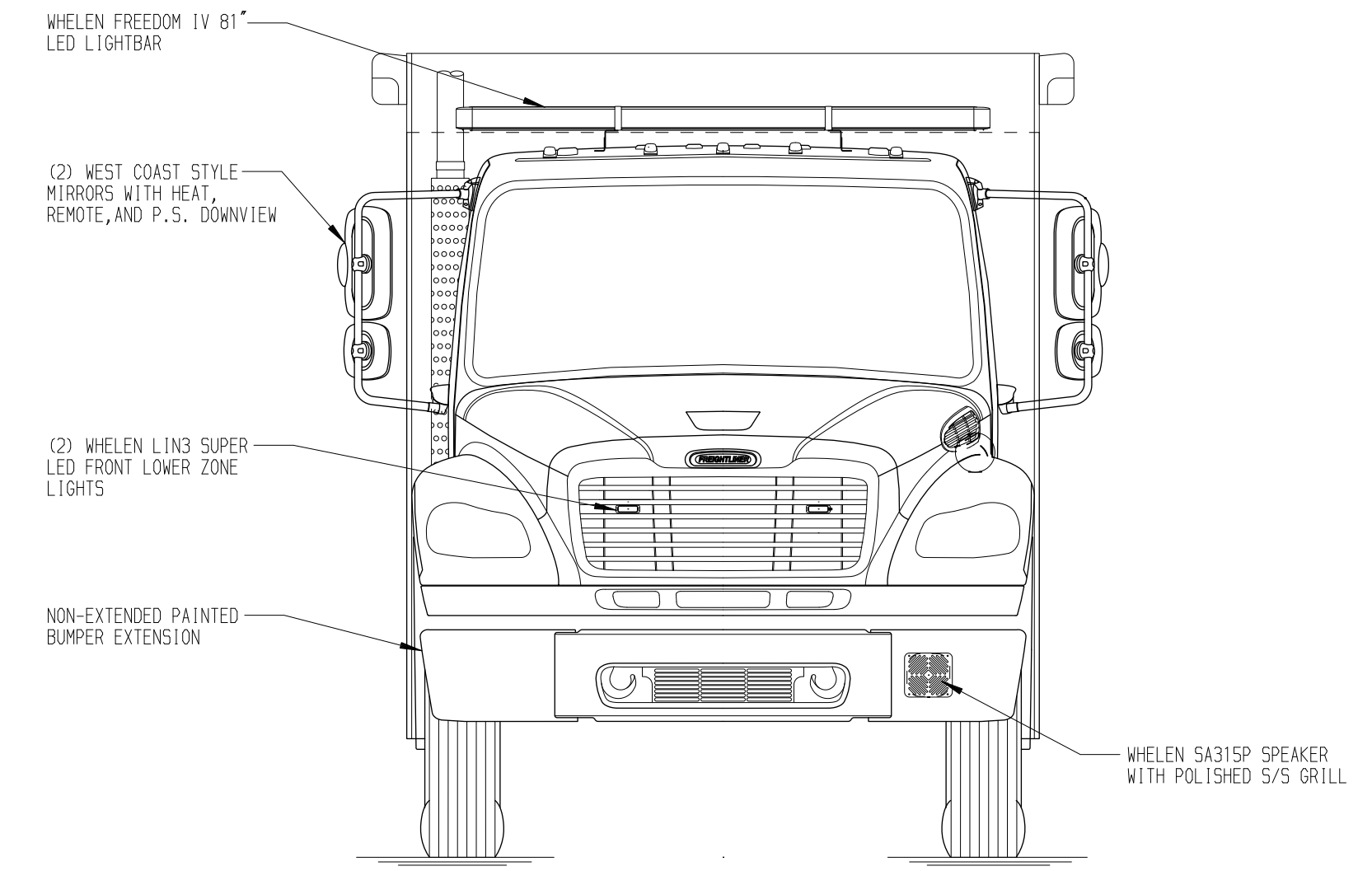
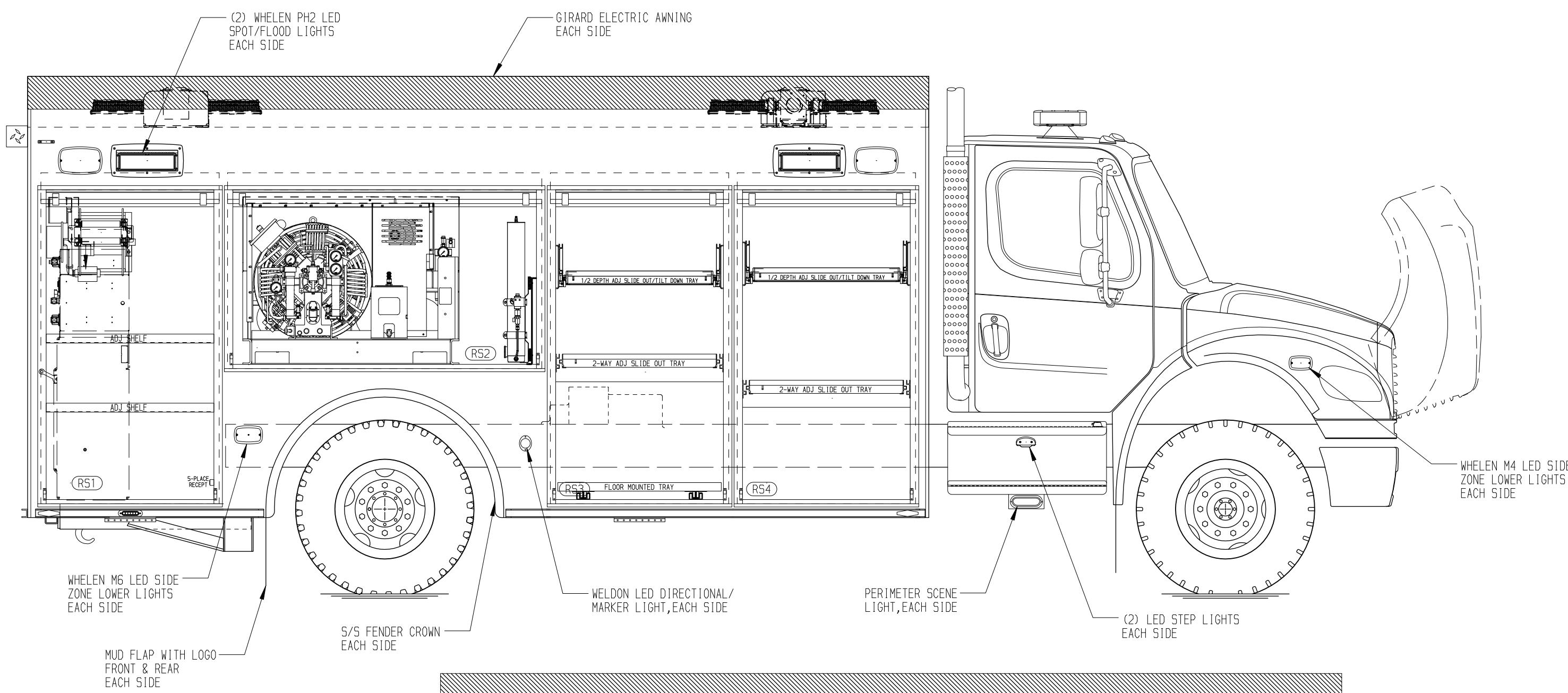
**RIGHT SIDE COMPARTMENTS CONTAIN THE FOLLOWING:**

COMPARTMENT RS1 CONTAINS:  
 - (1) ELECTRIC CORD REEL WITH 200' OF 10/3 BLACK CORD  
 - (2) STD DEPTH ADJ SHELVES  
 - (1) 20A, 120V 5-PLACE RECEPTACLE STRIP

COMPARTMENT RS2 CONTAINS:  
 - (1) BAUER K18.1-20-E3 BREATHING AIR COMPRESSOR W/4 ASME BOTTLES

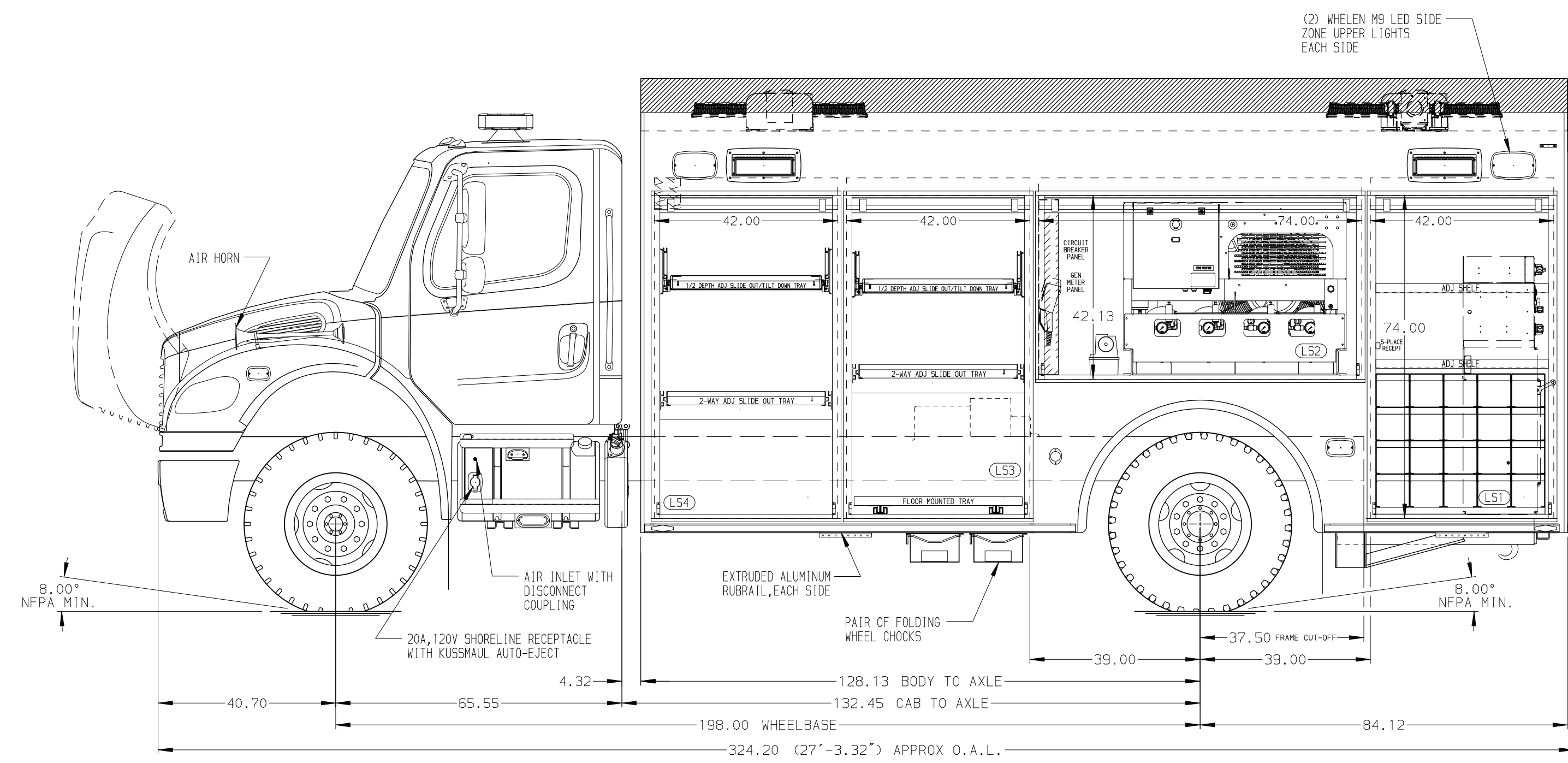
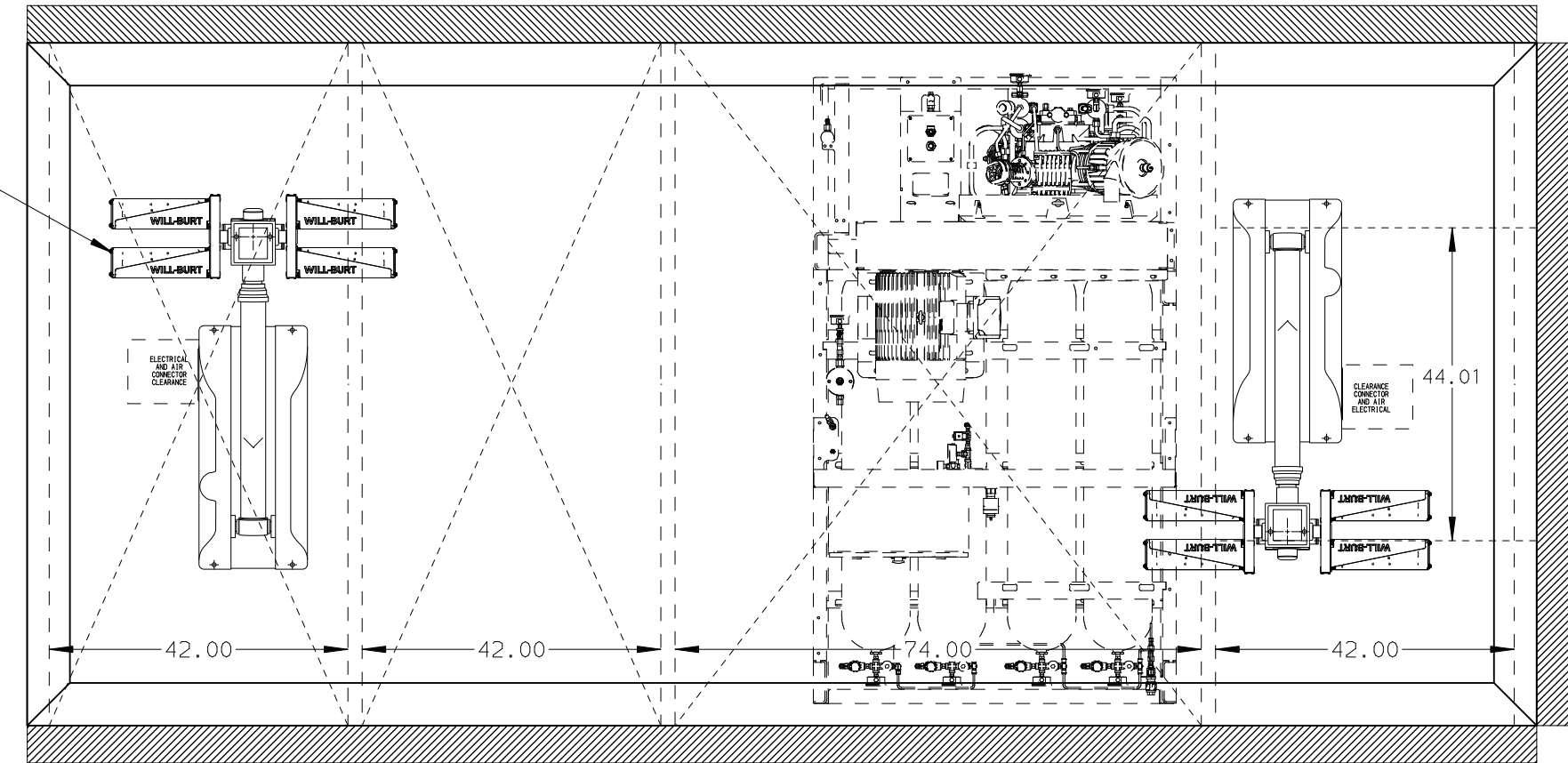
COMPARTMENT RS3 CONTAINS:  
 - (1) FLOOR MOUNTED TRAY  
 - (1) 2-WAY ADJ SLIDE OUT TRAY  
 - (1) 1/2 DEPTH ADJ SLIDE OUT/TILT TRAY

COMPARTMENT RS4 CONTAINS:  
 - (1) 2-WAY ADJ SLIDE OUT TRAY  
 - (1) 1/2 DEPTH ADJ SLIDE OUT/TILT TRAY



**REAR COMPARTMENT CONTAINS THE FOLLOWING:**

COMPARTMENT B1 CONTAINS:  
 - (1) CASCADE SYSTEM CONTROL PANEL  
 - (1) BAUER CFS 5.5-3M FILL ENCLOSURE



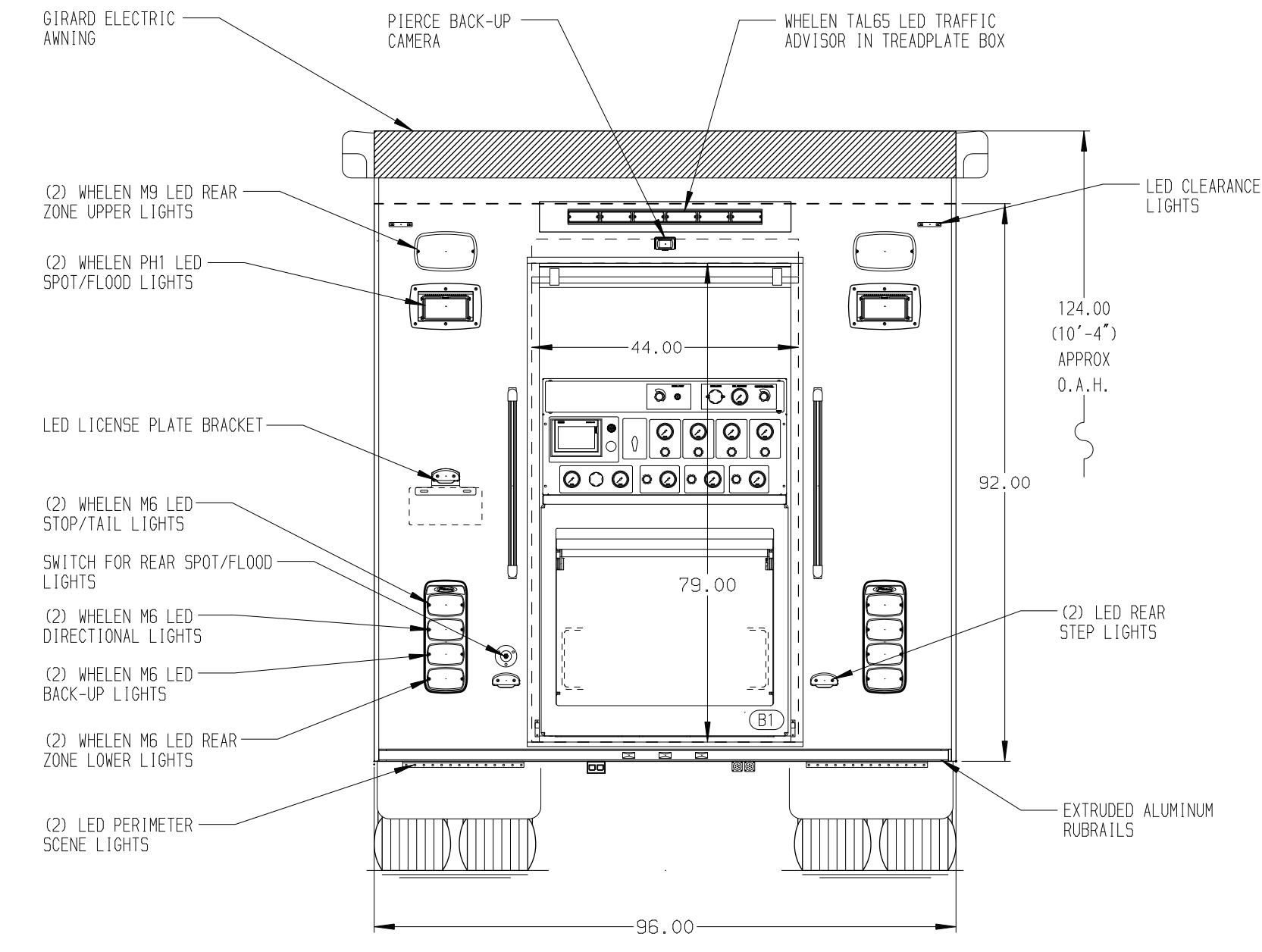
**LEFT SIDE COMPARTMENTS CONTAIN THE FOLLOWING:**

COMPARTMENT LS1 CONTAINS:  
 - (1) RACK FOR 20 SCBA BOTTLES  
 - (1) 20A, 120V 5-PLACE RECEPTACLE STRIP  
 - (2) STD DEPTH ADJ SHELVES

COMPARTMENT LS2 CONTAINS:  
 - (1) BAUER K18.1-20-E3 BREATHING AIR COMPRESSOR W/4 ASME BOTTLES  
 - (2) NIGHTSCAN CONTROLLERS  
 - (1) CIRCUIT BREAKER PANEL  
 - (1) GENERATOR METER PANEL

COMPARTMENT LS3 CONTAINS:  
 - (1) FLOOR MOUNTED TRAY  
 - (1) 2-WAY ADJ SLIDE OUT TRAY  
 - (1) 1/2 DEPTH ADJ SLIDE OUT/TILT TRAY

COMPARTMENT LS4 CONTAINS:  
 - (1) 1/2 DEPTH ADJ SLIDE OUT/TILT TRAY  
 - (1) 2-WAY ADJ SLIDE OUT TRAY



**NOTE**  
 DIMENSIONS SHOWN ARE APPROXIMATE AND ARE SUBJECT TO MINOR DEVIATIONS AS MAY OCCUR OR BE NECESSARY IN CONSTRUCTION. MINOR DETAILS NOT SHOWN.

**NOTES:**  
 1. PIERCE LED STRIP LIGHTS IN ALL BODY COMPARTMENTS  
 2. MAGNAPLUS BOX THREE PHASE PTO DRIVEN GENERATOR LOCATED BETWEEN THE FRAME RAILS

CLEAR DOOR WIDTH KEY		CHASSIS DATA	
AMOR ROLL UP DOORS:	-2 1/4"	TITLE	ENCORE RESCUE VEHICLE
CORTITE ROLL UP DOORS:	-2 1/2"	FOR	42.42.74.42
PIERCE DOUBLE LIP DOORS:	-4 1/4"	DATE	11JAN24
PIERCE LIFT-UP LAP DOORS:	-1 1/2"	BY	DHE CDK
(EX: 60" F-F - 2 1/4" = 57 3/4" CLEAR)		DATE	16JUN23
(F-F) = FRAME TO FRAME		BY	DHE CDK
		CH	18APR23
		REV	DHE CDK
		DATE	18APR23
		BY	DHE CDK
		CH	DHE CDK
		MODEL	M2-106

		JOB NO.	38311
		SCALE	1:24
<b>ENCORE RESCUE VEHICLE</b> 42.42.74.42		DRAWN BY	DHE
		CHECKED BY	CDK
<b>BAKERSFIELD FIRE DEPARTMENT</b> BID #498		DATE	07FEB23
		CHECKED BY	CDK
DWG NO. <b>38311AD</b>		DATE	09FEB23
		CHECKED BY	ADRIAN BEYER
SHEET NO. <b>D</b>		SHEET SIZE	D
		SHEET NO.	1 OF 1