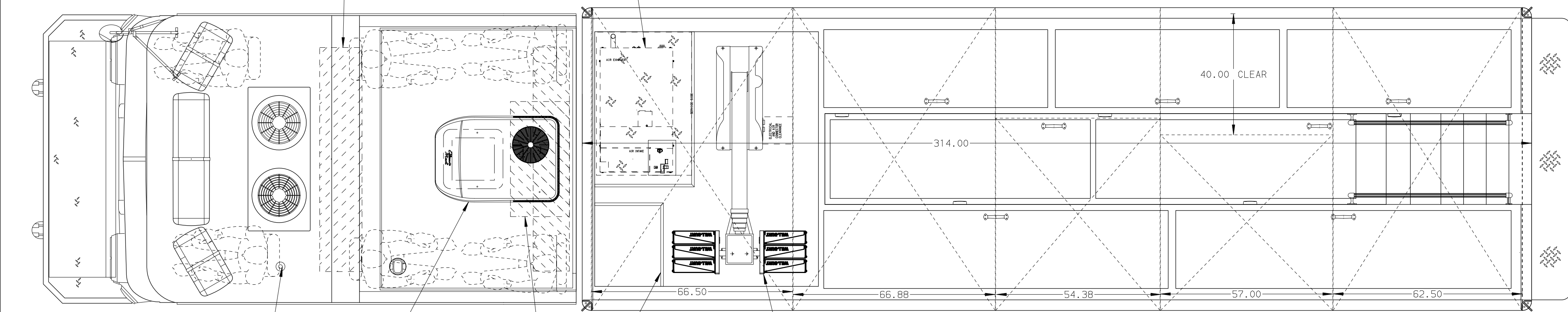
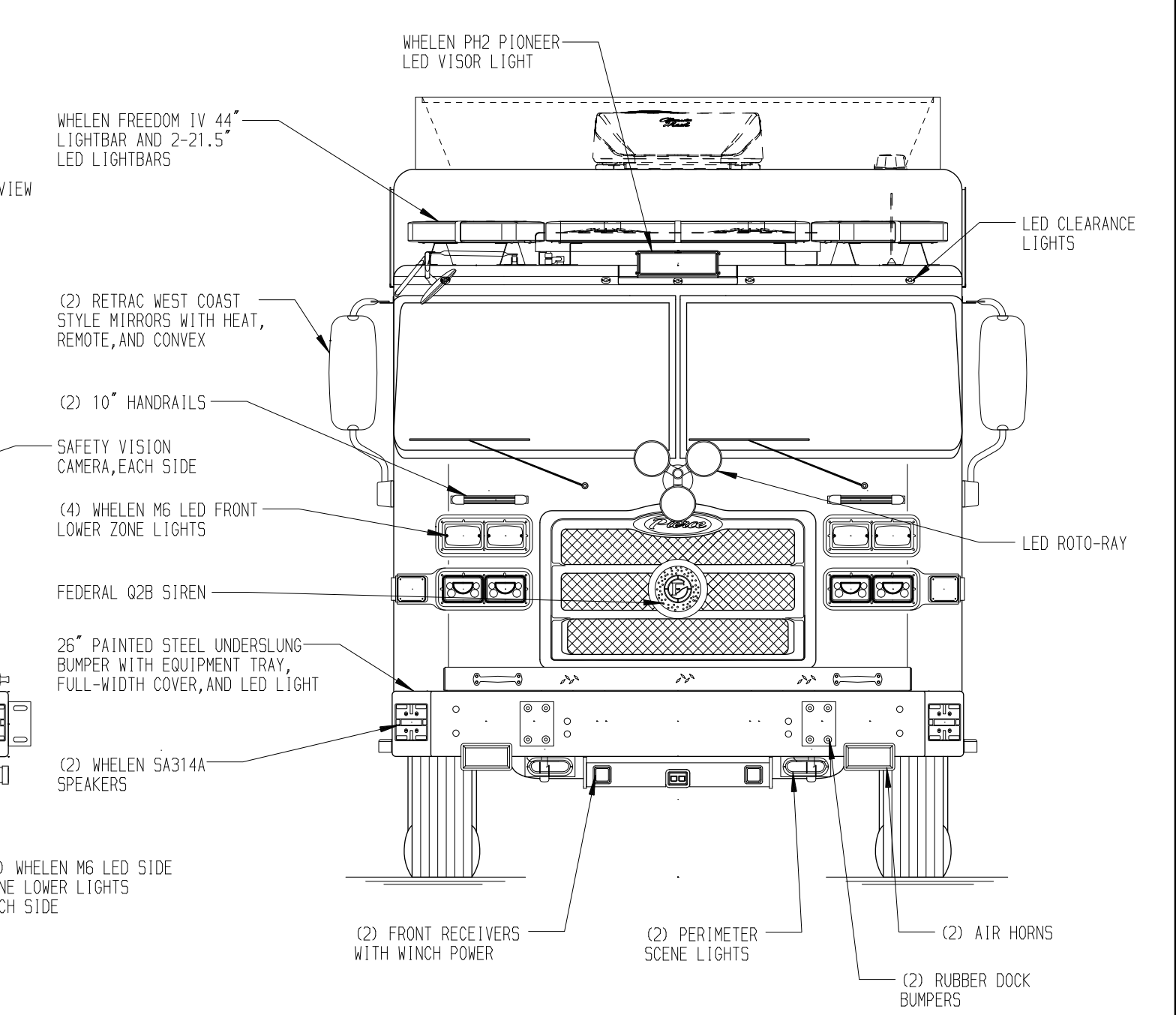
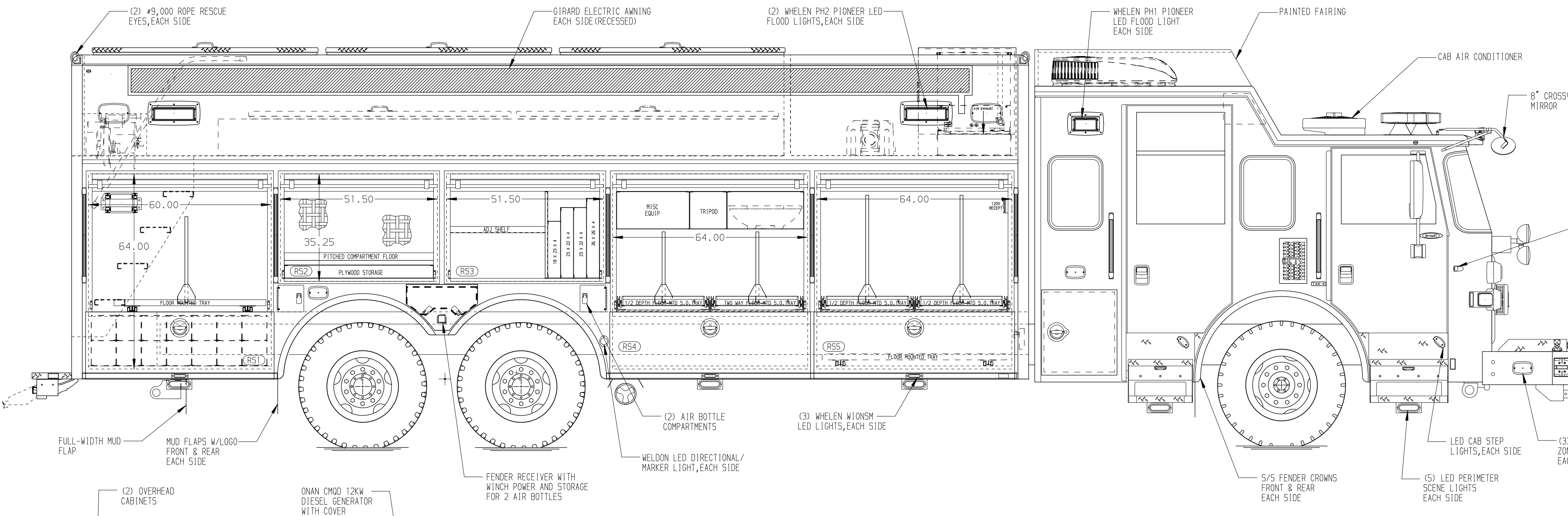
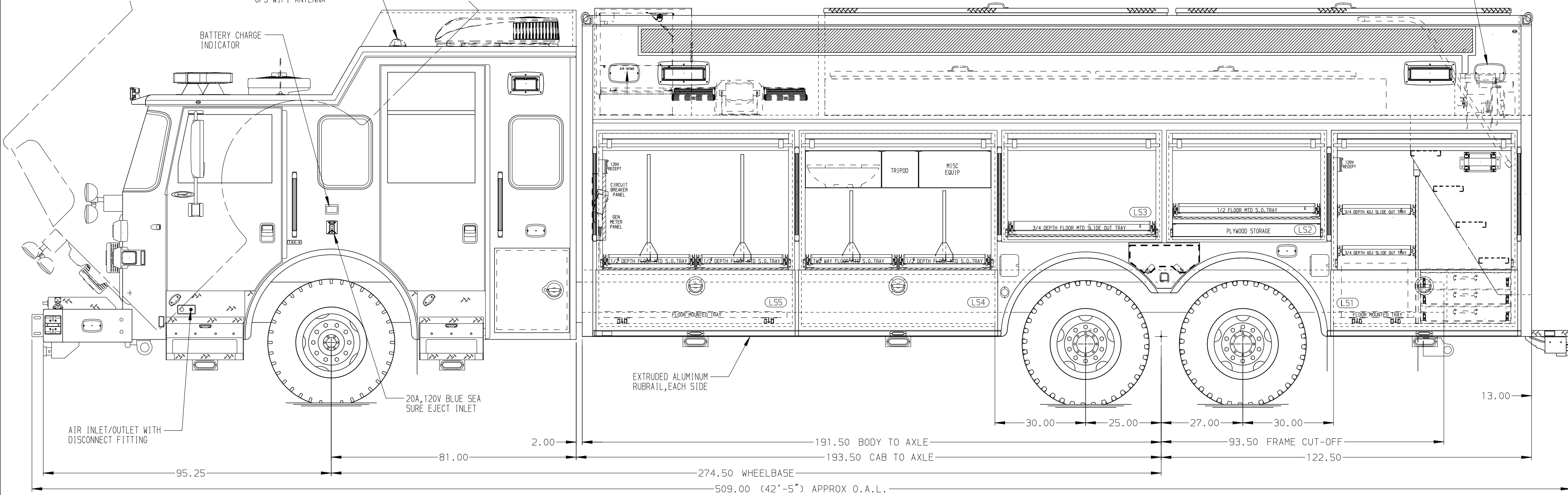
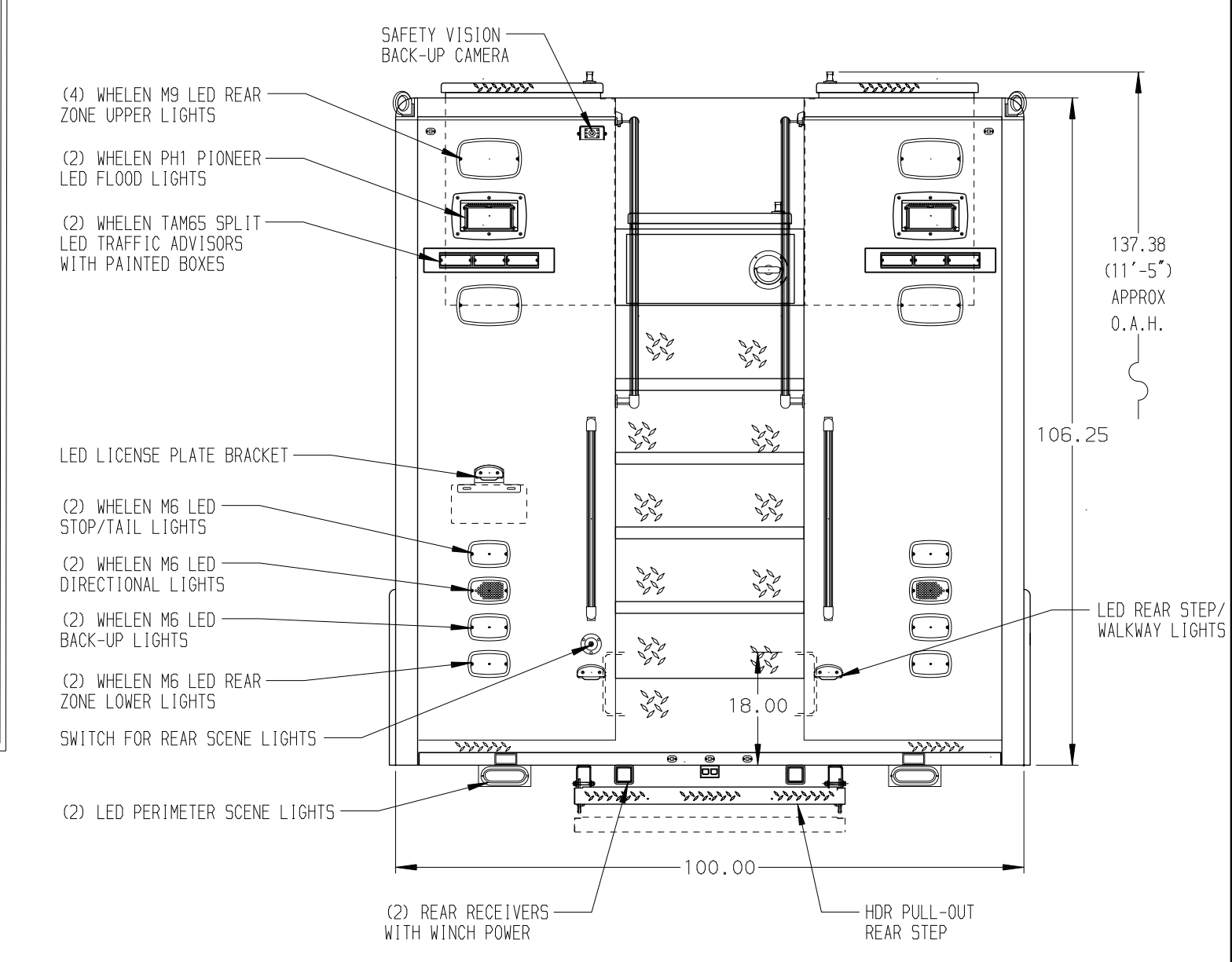


- RIGHT SIDE COMPARTMENTS CONTAIN THE FOLLOWING:**
- COMPARTMENT R51 CONTAINS:**
- (1) HORIZONTAL FLOOR EXTENSION
 - (1) STD DEPTH FLOOR MTD SLIDE OUT TRAY WITH TOOLBOARD
 - (1) RACK FOR 14 SCBA BOTTLES
 - (1) ELECTRIC CORD REEL WITH 150' OF 10/3 YELLOW CORD
 - (1) 15/20A, 120V DUPLEX RECEPTACLE
- COMPARTMENT R52 CONTAINS:**
- (1) VERTICAL REAR WALL DIVIDER
 - (1) PLYWOOD STORAGE TROUGH
 - (1) REINFORCED HORIZONTAL DIVIDER
 - PITCHED COMPARTMENT FLOOR
 - CARGO RETENTION NETTING
- COMPARTMENT R53 CONTAINS:**
- (1) RACK FOR AIR BAGS
 - (1) VERTICAL REAR WALL DIVIDER
 - (1) ELECTRIC CORD REEL WITH 150' OF 10/3 YELLOW CORD
 - (1) STD DEPTH ADJ SHELF
- COMPARTMENT R54 CONTAINS:**
- (1) HORIZONTAL FLOOR EXTENSION
 - (1) STOKES BASKET TROUGH
 - (1) TRIPOD STORAGE TROUGH
 - (1) EQUIPMENT STORAGE TROUGH
 - (1) 1/2 DEPTH FLOOR MTD SLIDE OUT TRAY WITH TOOLBOARD
 - (1) TWO WAY FLOOR MTD SLIDE OUT TRAY WITH TOOLBOARD
- COMPARTMENT R55 CONTAINS:**
- (1) CAB LIFT CONTROLLER
 - (1) HORIZONTAL FLOOR EXTENSION
 - (1) STD DEPTH FLOOR MOUNTED TRAY WITH TOOLBOARD
 - (2) 1/2 DEPTH FLOOR MTD SLIDE OUT TRAYS WITH TOOLBOARDS
 - (1) 15/20A, 120V DUPLEX RECEPTACLE



LEFT SIDE COMPARTMENTS CONTAIN THE FOLLOWING:

- COMPARTMENT L51 CONTAINS:**
- (1) VERTICAL COMPARTMENT DIVIDER
 - (1) 3-DRAWER CABINET
 - (1) 15/20A, 120V DUPLEX RECEPTACLE
 - (2) 3/4 DEPTH ADJ SLIDE OUT TRAYS
 - (1) STD DEPTH FLOOR MOUNTED TRAY
 - (1) ELECTRIC CORD REEL WITH 150' OF 10/3 YELLOW CORD
- COMPARTMENT L52 CONTAINS:**
- (1) PLYWOOD STORAGE TROUGH
 - (1) REINFORCED HORIZONTAL DIVIDER
 - (1) 1/2 DEPTH FLOOR MTD SLIDE OUT TRAY
- COMPARTMENT L53 CONTAINS:**
- (1) 3/4 DEPTH FLOOR MTD SLIDE OUT TRAY
- COMPARTMENT L54 CONTAINS:**
- (1) HORIZONTAL FLOOR EXTENSION
 - (1) STOKES BASKET TROUGH
 - (1) TRIPOD STORAGE TROUGH
 - (1) EQUIPMENT STORAGE TROUGH
 - (1) 1/2 DEPTH FLOOR MTD SLIDE OUT TRAY WITH TOOLBOARD
 - (1) TWO WAY FLOOR MOUNTED TRAY WITH TOOLBOARD
- COMPARTMENT L55 CONTAINS:**
- (1) HORIZONTAL FLOOR EXTENSION
 - (1) STD DEPTH FLOOR MOUNTED TRAY
 - (1) 1/2 DEPTH FLOOR MTD SLIDE OUT TRAYS WITH TOOLBOARDS
 - (1) NIGHT SCAN CONTROLLER
 - (1) 15/20A, 120V DUPLEX RECEPTACLE
 - (1) CIRCUIT BREAKER PANEL
 - (1) GENERATOR METER PANEL



NOTE
DIMENSIONS SHOWN ARE APPROXIMATE AND ARE SUBJECT TO MINOR DEVIATIONS AS MAY OCCUR OR BE NECESSARY IN CONSTRUCTION. MINOR DETAILS NOT SHOWN.

- NOTES:**
- WARN #10,000 PORTABLE WINCH
 - POLISHED 5/5 SCUFFPLATES ON CAB AND CREW CAB DOOR JAMBS
 - POLISHED 5/5 SCUFFPLATES ON CREW CAB CORNERS
 - FLOOR IN CAB AND CREW CAB TO BE PADDED RUBBER
 - FIRECOM 4-POSITION INTERCOM SYSTEM
 - 5/5 GUARDS ON ALL BODY ROLL-UP DOORS
 - ELASTIC PULL STRAPS ON ALL BODY ROLL-UP DOORS
 - PIERCE LED LIGHTS IN ALL BODY AND MATCH COMPARTMENTS
 - PIERCE LED LIGHTS IN ALL BODY AND MATCH COMPARTMENTS
 - PIERCE LED LIGHTS IN ALL BODY AND MATCH COMPARTMENTS
 - PIERCE LED LIGHTS IN ALL BODY AND MATCH COMPARTMENTS
 - 15/20A, 120V DUPLEX RECEPTACLE LOCATED IN CENTER EMS CABINET OF CREW CAB

TAK-4 T3 #40,000 REAR SUSPENSION

CLEAR DOOR WIDTH KEY		REV	DATE	BY	CH	CHASSIS DATA
AMDR ROLL UP DOORS:	-2 1/4"	19JUN24	DHE	AZU		TITLE
CORTITE ROLL UP DOORS:	-2 1/2"	13NOV23	DHE	AZU		HEAVY DUTY RESCUE NON-WALK-IN
PIERCE DOUBLE LIP DOORS:	-4 1/4"	20SEP23	DHE	AZU	PIERCE	FOR
PIERCE LIFT-UP LAP DOORS:	-1 1/2"	15JUN23	DHE	AZU		FORSYTH COUNTY BID #669
(EX: 60" F-F - 2 1/4" = 57 3/4" CLEAR) (F-F) = FRAME TO FRAME						DWG NO.

Pierce MANUFACTURING INC.

JOB NO. 38321

SCALE 1:24 DATE

DRAWN BY DHE 02MAY23

CHECKED BY AZU 04MAY23

GUY BINION

SHEET SIZE D SHEET NO. 1 OF 1

DWG NO. 38321AD