

# Pumper, PUC

Body  
Pumper, PUC, Aluminum  
CHASSIS  
Impel Chassis, PUC

## CHASSIS AXLE, FRONT, CUSTOM

21,500 Lb Meritor Axle

## AXLE, REAR

31,000 Lb Meritor Axle

## ENGINE

450 HP Cummins L9 Engine

## TRANSMISSION

Allison 5th Gen, 3000 EVS P

## BUMPER

26" Extended Painted Steel

## CAB

7010 Impel FR Cab, PUC

## BODY

### WATER TANK

1000 Gallon Poly Water Tank

### COMPT, PUMPER, REAR

29.50" FF RollUp Rear Compt w/Tailboard, PUC

### COMPT, PUMPER, LEFT SIDE

214" RollUp Full Height & Depth Front & Rear, PUC

### COMPT, PUMPER, RIGHT SIDE

214" RollUp Full Height & Depth Front & Rear, PUC

## FIRE SUPPRESSION PUMPHOUSE

Control Zone, PUC

### PUMP

1500 GPM Pierce PUC

### CROSSLAYS, 1.50"

(2) 1.50", Poly Trays, 200'

### CROSSLAYS, 2.50"

(1) 2.50", Poly Tray, 200'

### GENERATOR

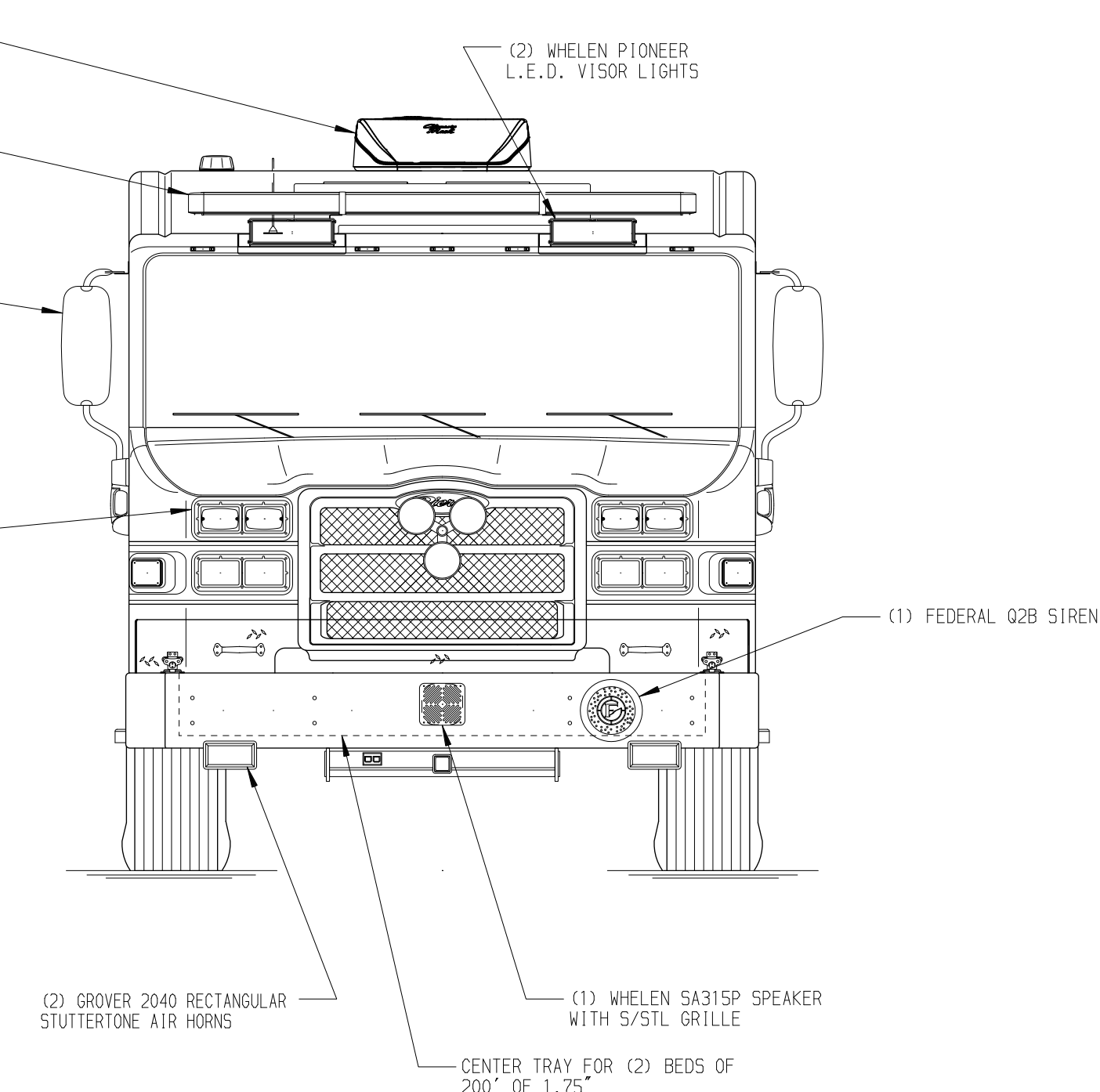
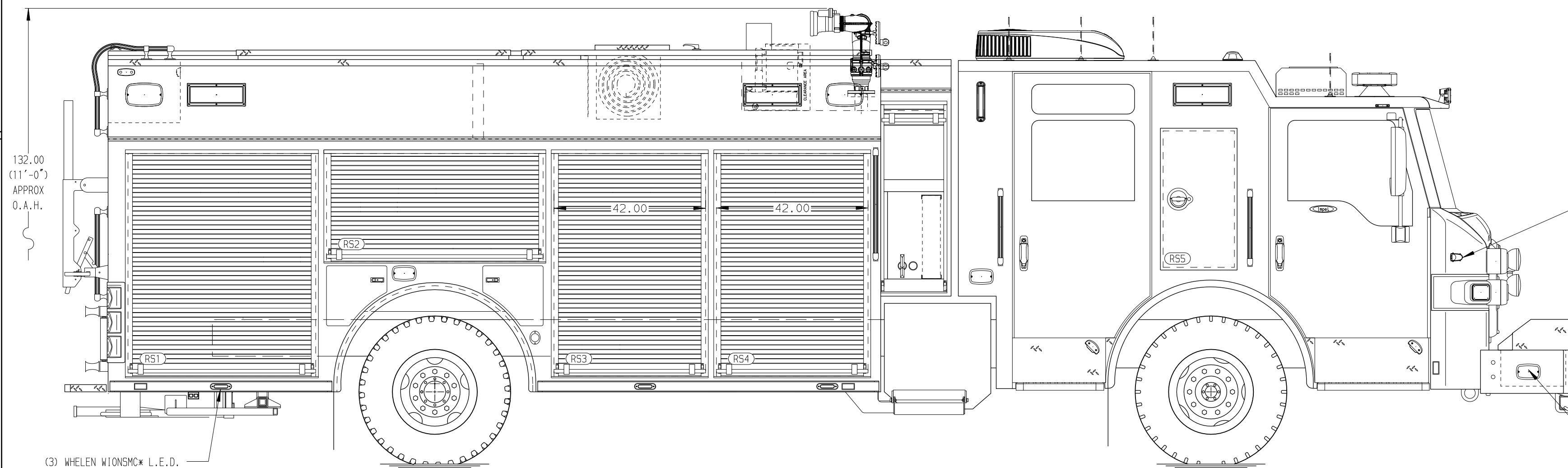
Generator Not Required

### Foam System

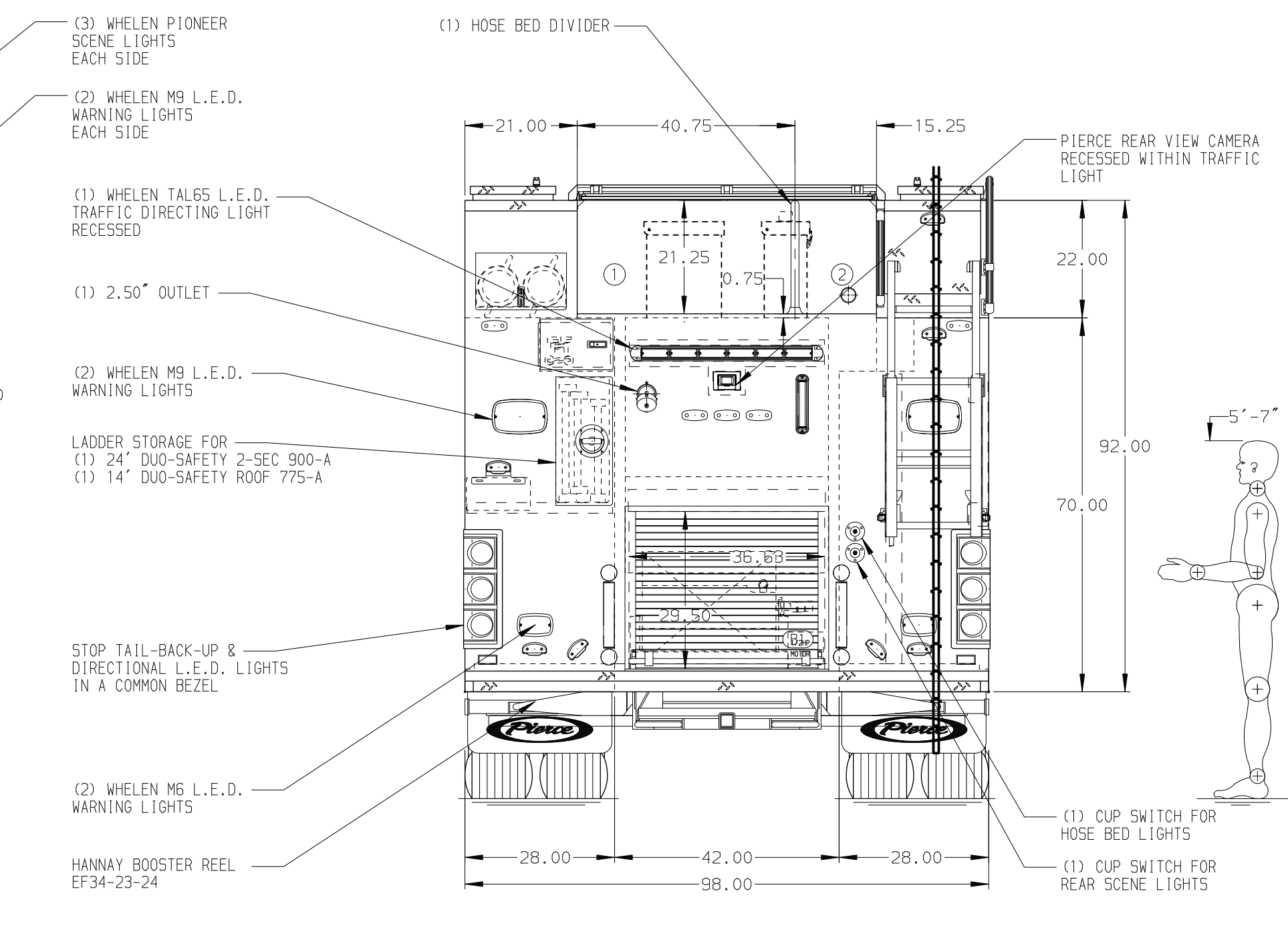
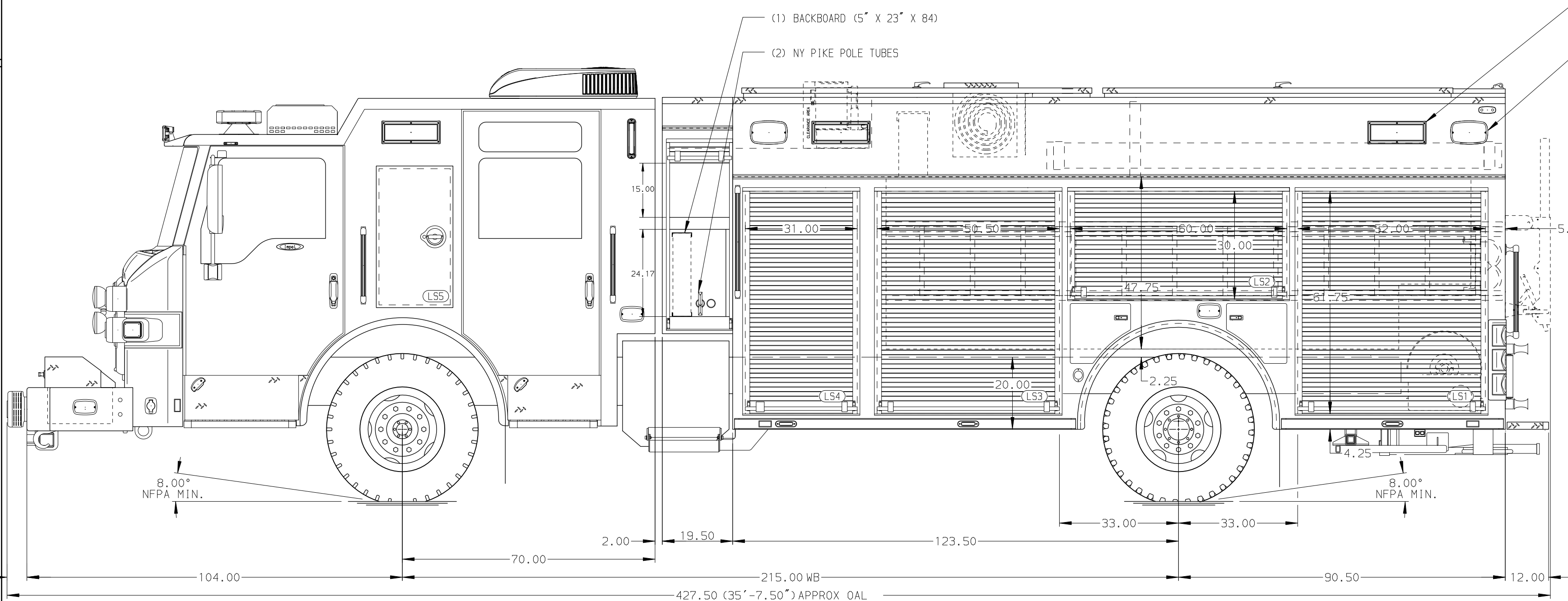
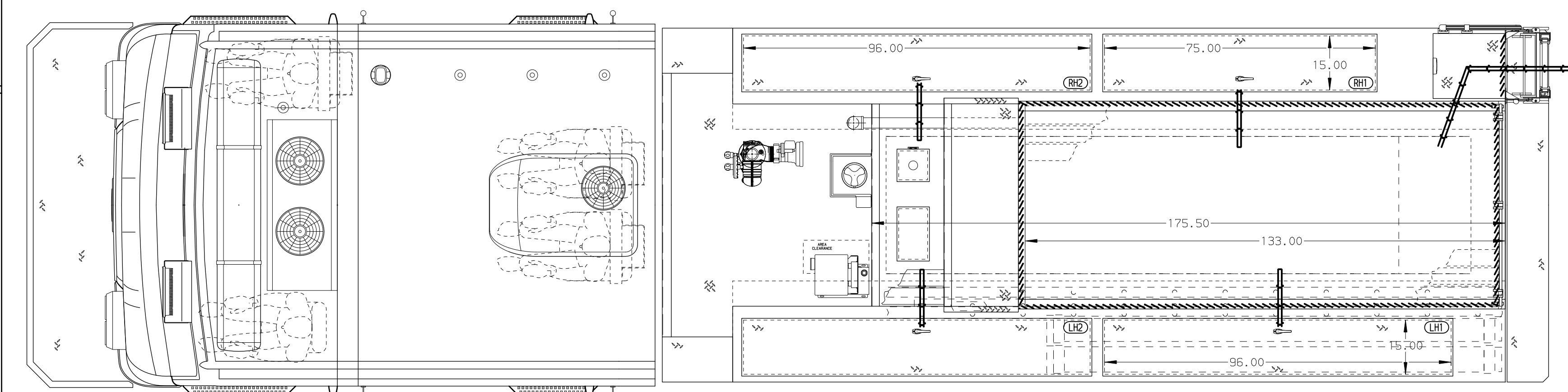
Husky 3 Single Agent Foam System

### Foam Cell

30 Gallon Foam Cell, Reduced Water, PUC



HOSEBED CAPACITY	
BED 1	1000' OF 5.00" D.J. POLY HOSE
BED 2	400' OF 2.50" D.J. POLY HOSE



**NOTE**  
DIMENSIONS SHOWN ARE APPROXIMATE AND ARE SUBJECT TO MINOR DEVIATIONS AS MAY OCCUR OR BE NECESSARY IN CONSTRUCTION. MINOR DETAILS NOT SHOWN.

- ONE 1.50 OUTLET WITH 2.00 PIPING AND SMIVEL LOCATED IN CENTER BUMPER TRAY
- SHORELINE RECEPTACLE WITH KUSSMALL SUPER AUTO-EJECT LOCATED ON DRIVER SIDE OF THE CAB
- AIR INLET WITH DISCONNECT COUPLING IN THE DRIVER SIDE PUMP PANEL
- AIR OUTLET WITH SHUT OFF VALVE ON DRIVER SIDE PUMP PANEL
- KUSSMALL AIR COMPRESSOR BEHIND DRIVER SIDE SEAT RISER
- BATTERY CHARGER LOCATED IN COMPARTMENT PER SHOP ORDER
- BATTERY CHARGE INDICATOR LOCATED NEAR DRIVER SEAT RISER WITH BRACKET
- SEVEN ADJUSTABLE SHELVES IN COMPARTMENTS PER SHOP ORDER
- FIVE FLOOR MOUNTED SLIDE-OUT TRAY IN COMPARTMENT PER SHOP ORDER
- ONE CTECH TWO DRAWER ASSEMBLY LOCATED PER SHOP ORDER
- TWO SWING-OUT TOOLBOARDS LOCATED PER SHOP ORDER
- ONE SLIDE-OUT TOOLBOARDS LOCATED PER SHOP ORDER
- WHEEL CHOCKS AND MOUNTING PROVIDED BY FIRE DEPARTMENT
- THREE SLIDE-OUT TRAYS LOCATED PER SHOP ORDER
- ONE TILT/SLIDE-OUT TRAY LOCATED PER SHOP ORDER

### CUSTOMER APPROVAL

APPROVED BY: \_\_\_\_\_  
DATE: \_\_\_\_\_



JOB NO.	38322
SCALE	1:24
DATE	10MAY22
DRAWN BY	MMF
CHECKED BY	COL
SHEET SIZE	D
SHEET NO.	1 OF 1

TITLE	Pierce PUC Pumper Approval Drawing
FOR	Fort Myers Shores
DWG NO.	38322AD
REV	DATE
BY	CH
IMPEL FR	