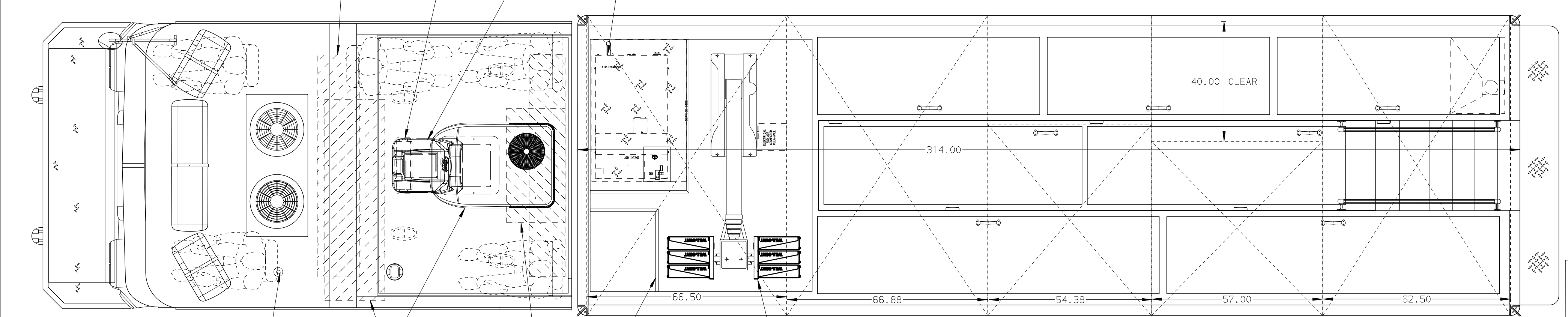
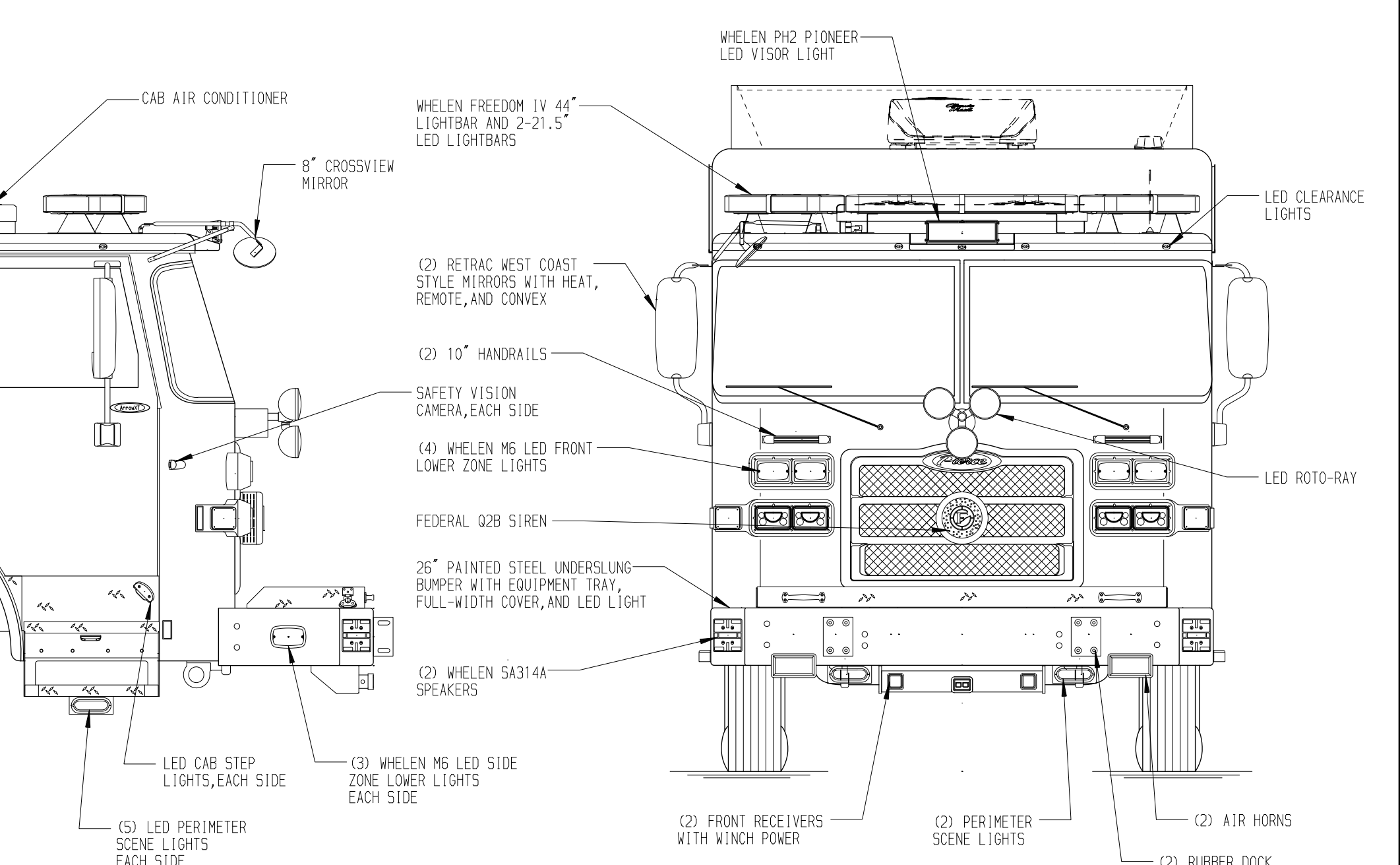
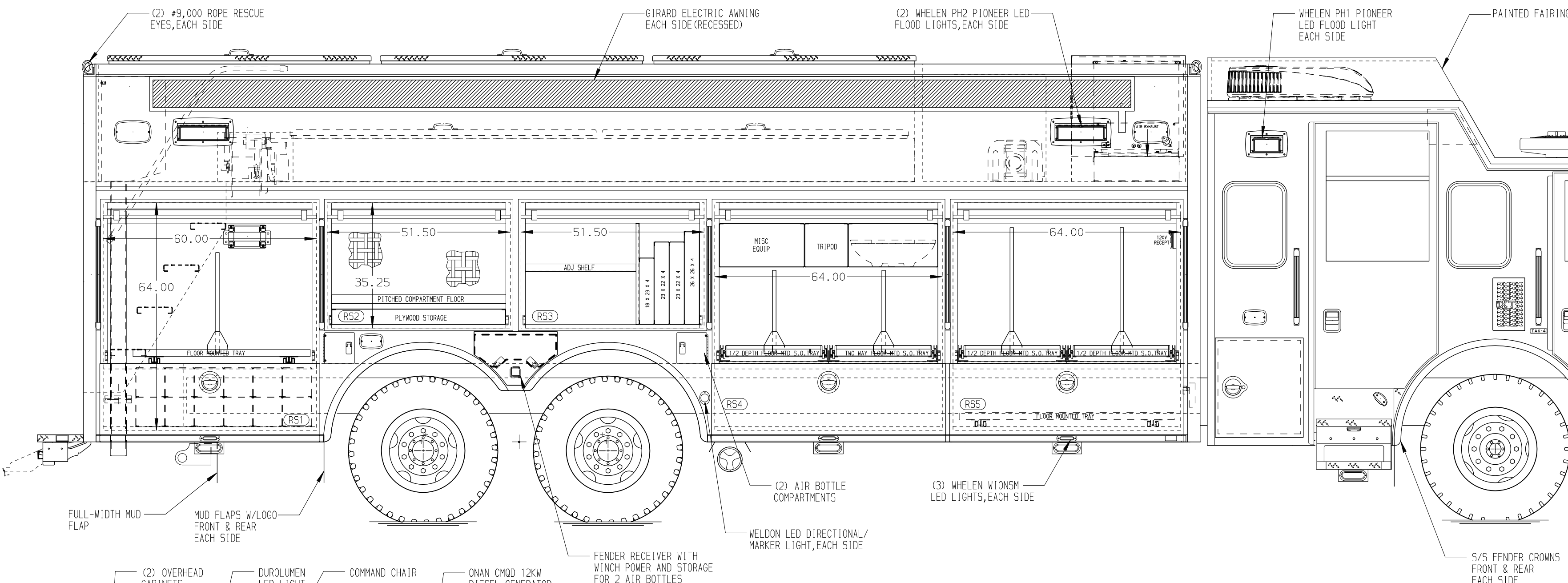
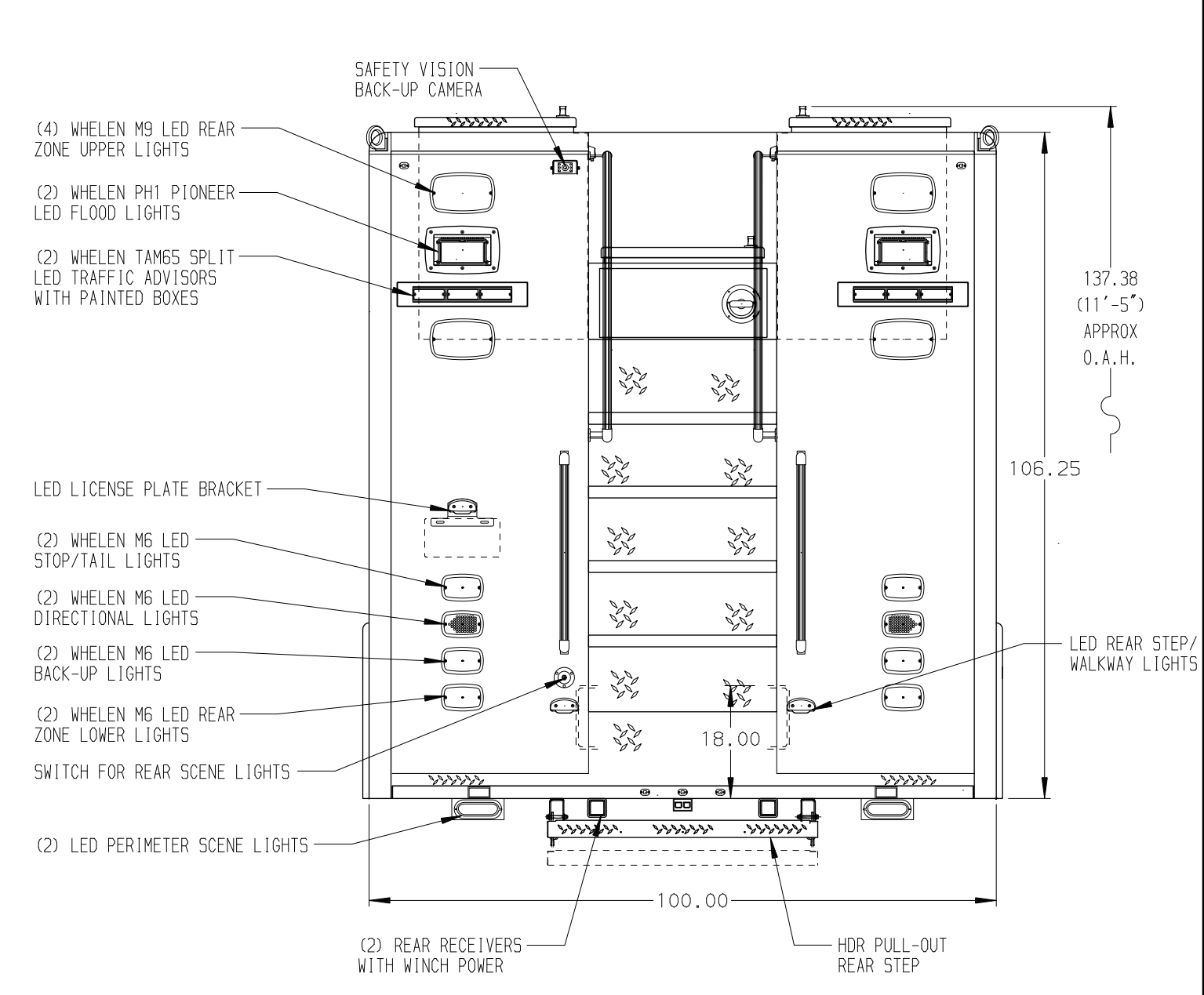
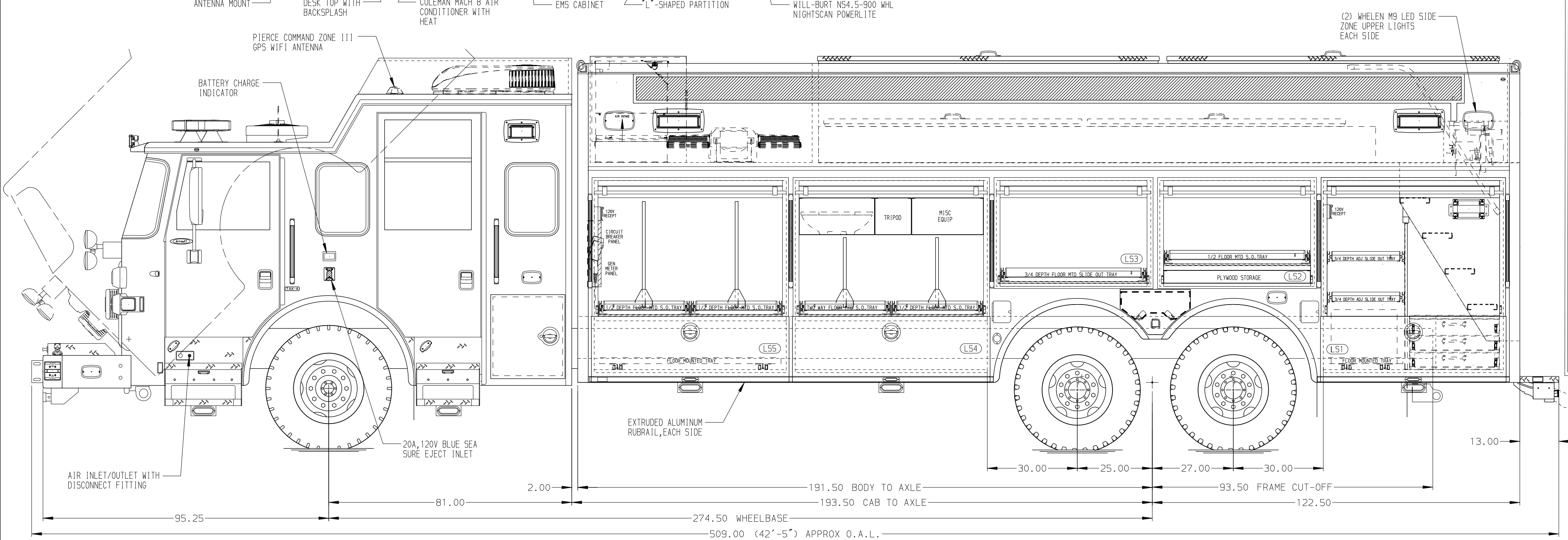
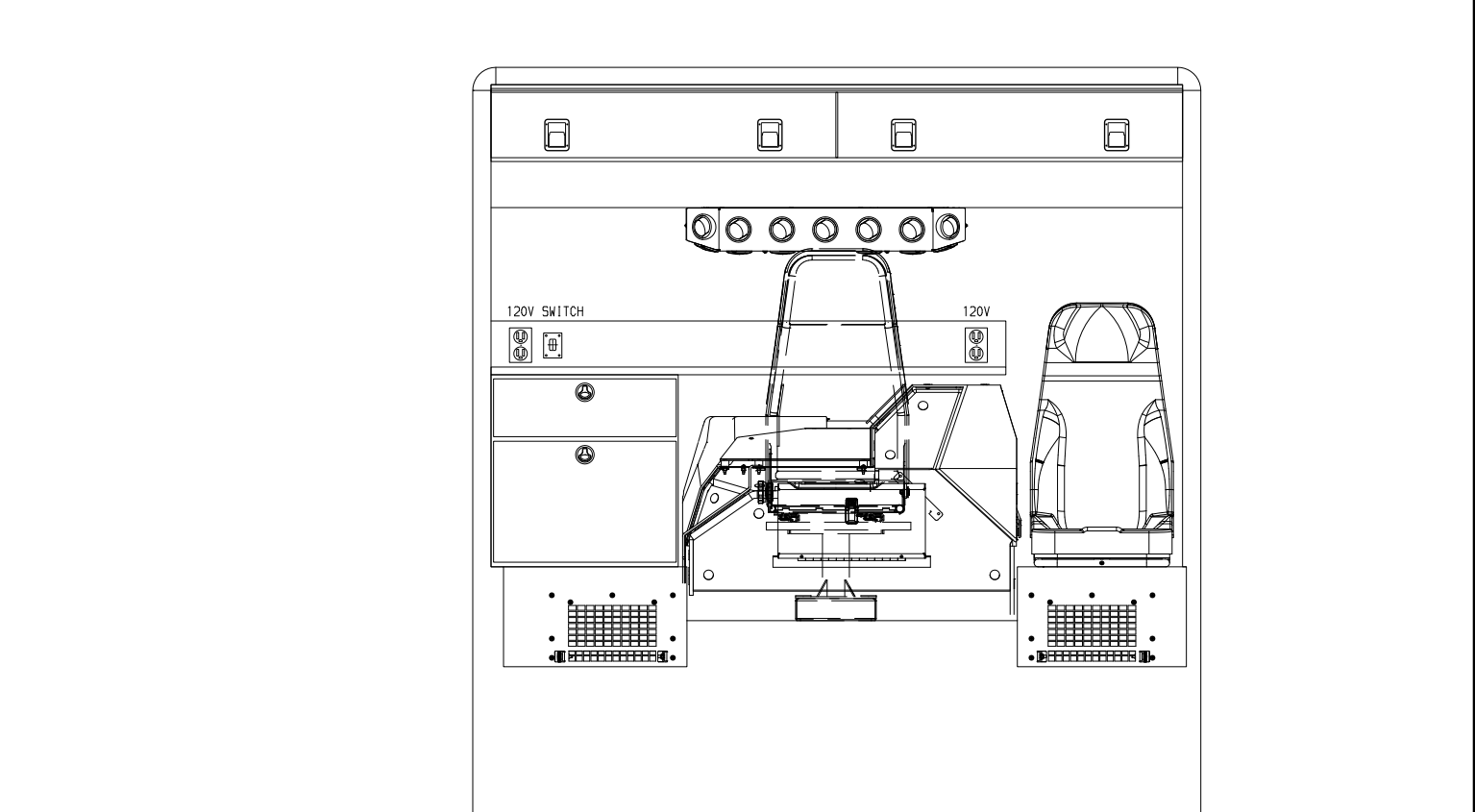


- RIGHT SIDE COMPARTMENTS CONTAIN THE FOLLOWING:**
- COMPARTMENT RS1 CONTAINS:**
- (1) HORIZONTAL FLOOR EXTENSION
 - (1) STD DEPTH FLOOR MTD SLIDE OUT TRAY WITH TOOLBOARD
 - (1) RACK FOR 12 SCBA BOTTLES
 - (1) OIL DRY HOPPER
 - (1) ELECTRIC CORD REEL WITH 150' OF 10/3 YELLOW CORD
 - (1) 15/20A, 120V DUPLEX RECEPTACLE
- COMPARTMENT RS2 CONTAINS:**
- (1) VERTICAL REAR WALL DIVIDER
 - (1) PLYWOOD STORAGE TROUGH
 - (1) REINFORCED HORIZONTAL DIVIDER
 - PITCHED COMPARTMENT FLOOR
 - CARGO RETENTION NETTING
- COMPARTMENT RS3 CONTAINS:**
- (1) RACK FOR AIR BAGS
 - (1) VERTICAL REAR WALL DIVIDER
 - (1) VERTICAL COMPARTMENT DIVIDER
 - (1) STD DEPTH ADJ SHELF
- COMPARTMENT RS4 CONTAINS:**
- (1) HORIZONTAL FLOOR EXTENSION
 - (1) STOKES BASKET TROUGH
 - (1) TRIPOD STORAGE TROUGH
 - (1) EQUIPMENT STORAGE TROUGH
 - (1) 1/2 DEPTH FLOOR MTD SLIDE OUT TRAY WITH TOOLBOARD
 - (1) TWO WAY FLOOR MTD SLIDE OUT TRAY WITH TOOLBOARD
- COMPARTMENT RS5 CONTAINS:**
- (1) CAB LIFT CONTROLLER
 - (1) HORIZONTAL FLOOR EXTENSION
 - (1) STD DEPTH FLOOR MOUNTED TRAY WITH TOOLBOARDS
 - (2) 1/2 DEPTH FLOOR MTD SLIDE OUT TRAYS WITH TOOLBOARDS
 - (1) 15/20A, 120V DUPLEX RECEPTACLE



LEFT SIDE COMPARTMENTS CONTAIN THE FOLLOWING:

- COMPARTMENT LS1 CONTAINS:**
- (1) VERTICAL COMPARTMENT DIVIDER
 - (1) 3-DRAWER CABINET
 - (1) 15/20A, 120V DUPLEX RECEPTACLE
 - (2) 3/4 DEPTH ADJ SLIDE OUT TRAYS
 - (1) STD DEPTH FLOOR MOUNTED TRAY
 - (1) ELECTRIC CORD REEL WITH 150' OF 10/3 YELLOW CORD
- COMPARTMENT LS2 CONTAINS:**
- (1) PLYWOOD STORAGE TROUGH
 - (1) REINFORCED HORIZONTAL DIVIDER
 - (1) 1/2 DEPTH FLOOR MTD SLIDE OUT TRAY
- COMPARTMENT LS3 CONTAINS:**
- (1) 3/4 DEPTH FLOOR MTD SLIDE OUT TRAY
- COMPARTMENT LS4 CONTAINS:**
- (1) HORIZONTAL FLOOR EXTENSION
 - (1) STOKES BASKET TROUGH
 - (1) TRIPOD STORAGE TROUGH
 - (1) EQUIPMENT STORAGE TROUGH
 - (1) 1/2 DEPTH FLOOR MTD SLIDE OUT TRAY WITH TOOLBOARD
 - (1) TWO WAY FLOOR MOUNTED TRAY WITH TOOLBOARD
- COMPARTMENT LS5 CONTAINS:**
- (1) HORIZONTAL FLOOR EXTENSION
 - (1) STD DEPTH FLOOR MOUNTED TRAY
 - (1) 1/2 DEPTH FLOOR MTD SLIDE OUT TRAYS WITH TOOLBOARDS
 - (1) NIGHT SCAN CONTROLLER
 - (1) 15/20A, 120V DUPLEX RECEPTACLE
 - (1) CIRCUIT BREAKER PANEL
 - (1) GENERATOR METER PANEL



NOTE
DIMENSIONS SHOWN ARE APPROXIMATE AND ARE SUBJECT TO MINOR DEVIATIONS AS MAY OCCUR OR BE NECESSARY IN CONSTRUCTION. MINOR DETAILS NOT SHOWN.

- NOTES:**
- WARN #10,000 PORTABLE WINCH
 - POLISHED 5/8 SCUFFPLATES ON CAB AND CREW CAB DOOR JAMBS
 - POLISHED 5/8 SCUFFPLATES ON CREW CAB CORNERS
 - FLOOR IN CAB AND CREW CAB TO BE PADDED RUBBER
 - FIRECOM 4-POSITION INTERCOM SYSTEM
 - 5/8 GUARDS ON ALL BODY ROLL-UP DOORS
 - ELASTIC PULL STRAPS ON ALL BODY ROLL-UP DOORS
 - PIERCE LED LIGHTS IN ALL BODY AND MATCH COMPARTMENTS
 - BLUE SEA P12 CHARGER LOCATED IN COMPARTMENT RS5
 - (3) 15/20A, 120V DUPLEX RECEPTACLES LOCATED IN DESK AREA AND CENTER EMS CABINET OF CREW CAB

TAK-4 T3 #40,000 REAR SUSPENSION
SIDE ROLL & FRONTAL IMPACT PROTECTION

CLEAR DOOR WIDTH KEY		CHASSIS DATA	
AMORR ROLL UP DOORS:	-2 1/4"	19JUN24	DHE AZU
CORTITE ROLL UP DOORS:	-2 1/2"	17NOV23	DHE AZU
PIERCE DOUBLE LAP DOORS:	-4 1/4"	20SEP23	DHE AZU
PIERCE LIFT-UP LAP DOORS:	-1 1/2"	15JUN23	DHE AZU
(EX: 60" F-F - 2 1/4" = 57 3/4" CLEAR)		REV	DATE BY CH
			AX8116

Pierce MANUFACTURING INC.		JOB NO.	38323
TITLE		SCALE	DATE
HEAVY DUTY RESCUE NON-WALK-IN		1:24	
FOR		CHECKED BY	02MAY23
FORSYTH COUNTY BID #673		AZU	04MAY23
DWG NO.		SHEET SIZE	SHEET NO.
38323AD		D	1 OF 1