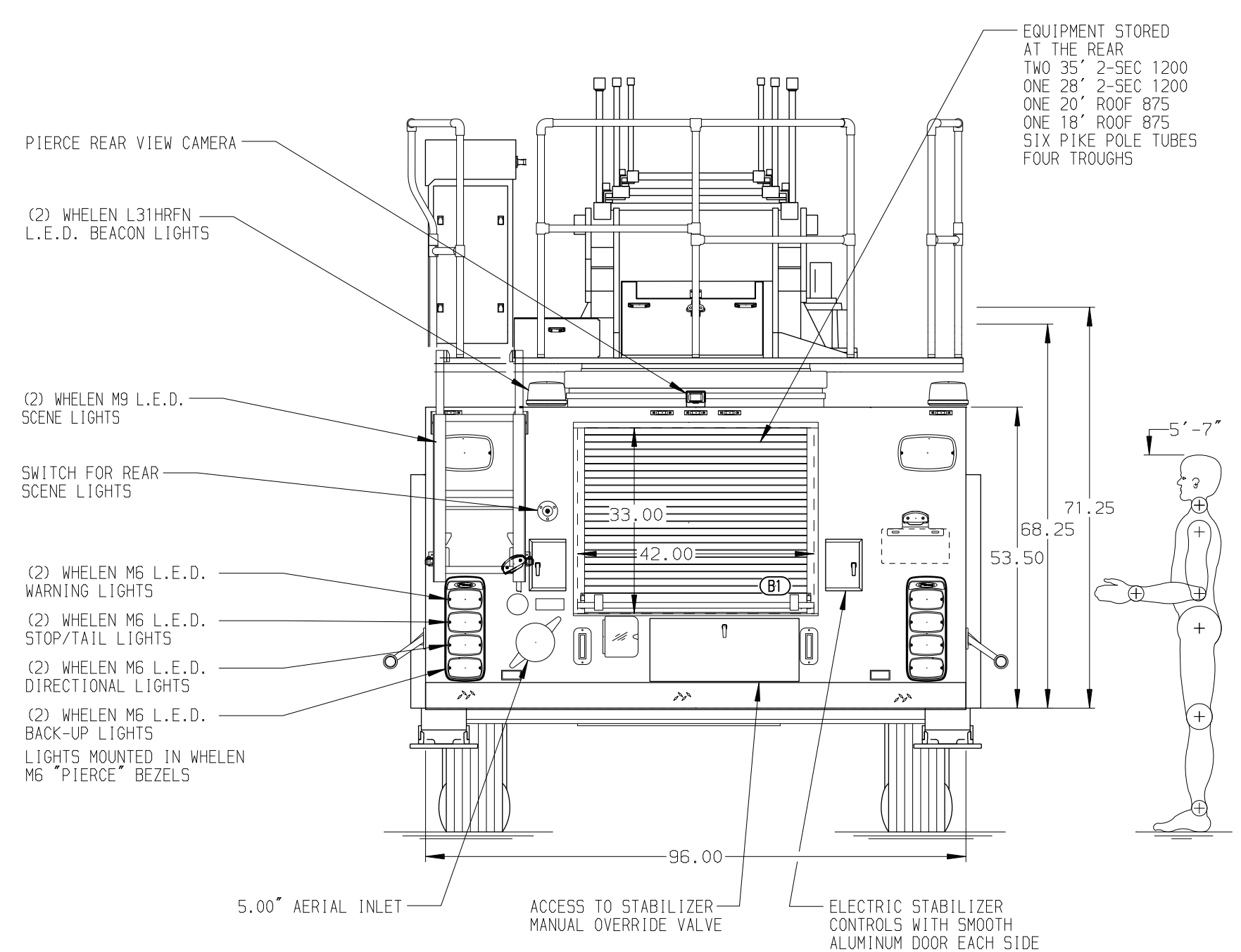
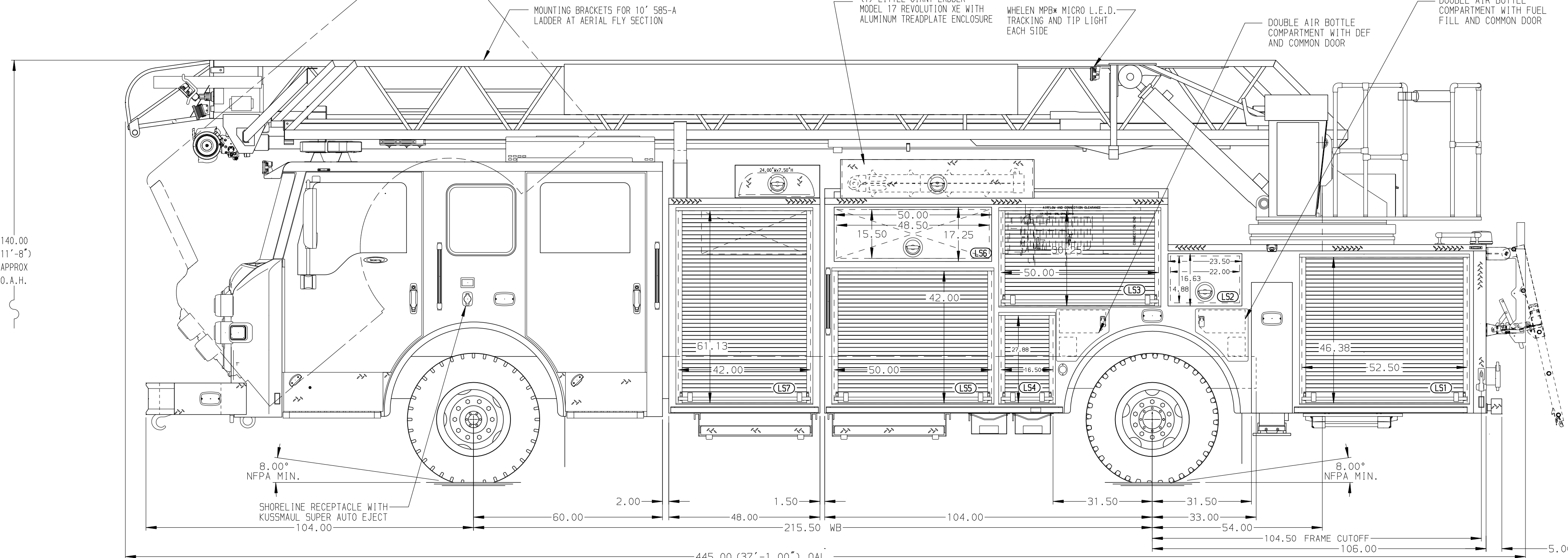


BODY
 75' HDL Aluminum Body
COMPT, LEFT SIDE FRONT
 FH/FD Hi/Low Roll/Lift Doors Forward
COMPT, LEFT SIDE REAR
 FH/FD RollUp and Lift-up Rearward
COMPT, RIGHT SIDE FRONT
 FH/FD Hi/Low Roll/Lift Doors Forward
COMPT, RIGHT SIDE REAR
 FH/FD RollUp and Lift-up Rearward



CHASSIS Velocity Chassis (Big Block) ENGINE 500 HP Cummins X12 Engine	CAB 6000 Velocity FR Cab BUMPER 26" Extended Stainless Steel	AXLE, FRONT, CUSTOM 23,000 Lb Dana Axle AXLE, REAR 31,000 Lb Dana Axle	TRANSMISSION Allison 6th Gen, 4500 EVS P GENERATOR Smart Power Hydraulic ER-6.2	COMPARTMENT-NO PUMP 48" Wide Roll Up Door	-	-	-
NOTE DIMENSIONS SHOWN ARE APPROXIMATE AND ARE SUBJECT TO MINOR DEVIATIONS AS MAY OCCUR OR BE NECESSARY IN CONSTRUCTION. MINOR DETAILS NOT SHOWN.							
1. BATTERY CHARGER LOCATED IN COMPARTMENT PER SHOP ORDER		2. BATTERY CHARGE INDICATOR LOCATED ON DRIVERS SIDE OF CAB		3. DRIP PAN GUARD FOR ROLL-UP DOOR LOCATED ABOVE ALL ROLL DOORS		4. ELEVEN ADJUSTABLE FULL WIDTH/FULL DEPTH SHelves PER SHOP ORDER	
5. ONE FULL WIDTH/DEPTH FLOOR MOUNTED SLIDE-OUT TRAY WITH SIDE SLIDES PER SHOP ORDER		6. RACK FOR 40 AIR BGS PER SHOP ORDER		7. RUNG LIGHTING ON AERIAL LADDER		8. FOUR 120V RECEPTACLES PER SHOP ORDER	
9. CIRCUIT BREAKER PANEL PER SHOP ORDER		10. AIR INLET MOUNTED IN THE DRIVER SIDE STEPWELL		11. AIR HORN CONTROLS AT TURNTABLE		12. REMOTE LADDER CONTROLS AT AERIAL TIP	
13. 2-WAY INTERCOM SYSTEM BETWEEN AERIAL TIP AND TURNTABLE		14. AERIAL PEDESTAL RAISED 3.00'		15. LIFTING EYE RESCUE ATTACHMENT AT AERIAL TIP		16. 120V POWER TO AERIAL TIP	
17. NO LIMITED RETRACTION							

		JOB NO.	38329
		SCALE	DATE
TITLE	75 AERIAL LADDER & BODY ASSEMBLY	DRAWN BY	LWE
FOR	AKRON FIRE DEPARTMENT AKRON, OHIO	CHECKED BY	JBL
DWG NO.	38329AD	SHEET SIZE	D
VELOCITY		SHEET NO.	1 OF 1