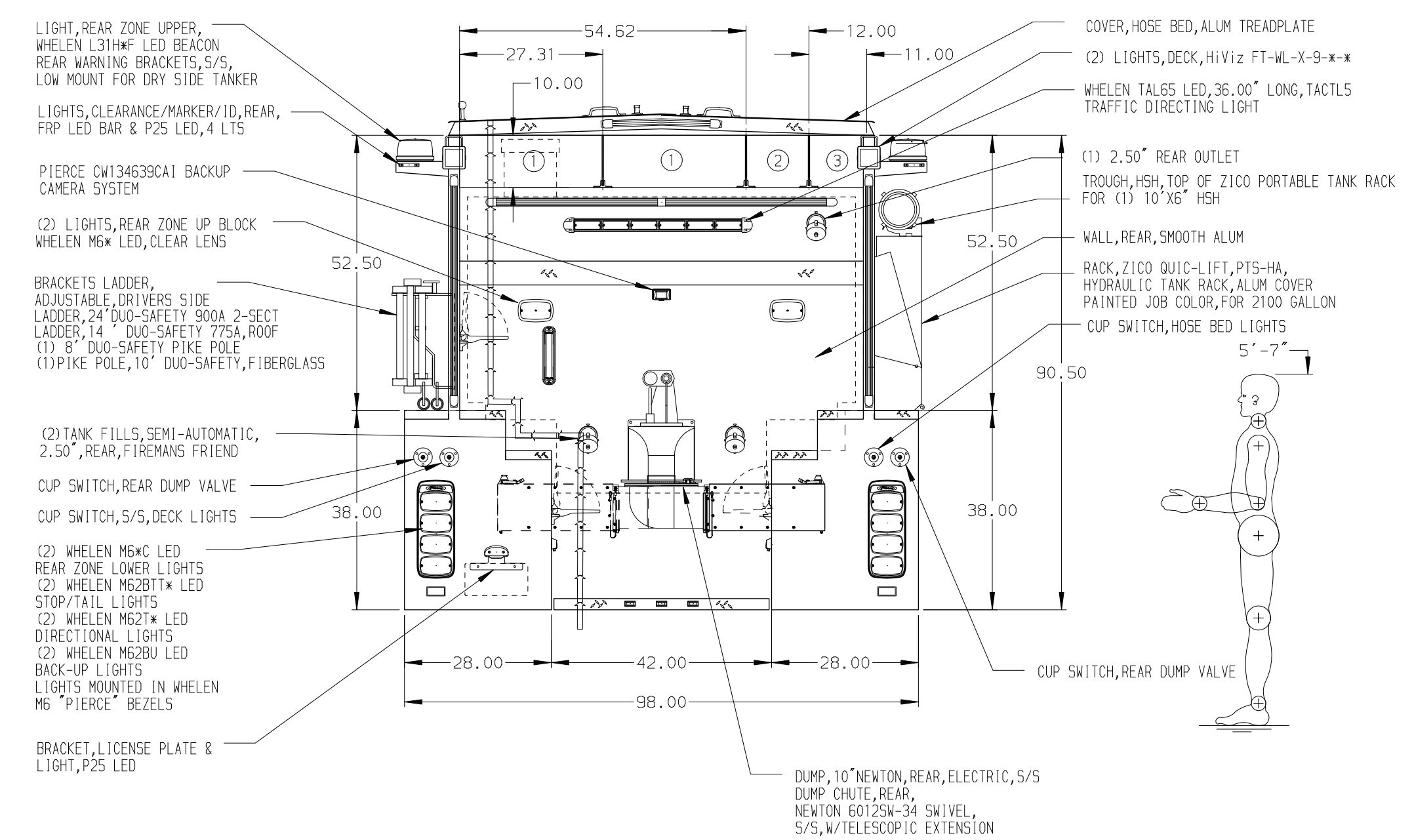
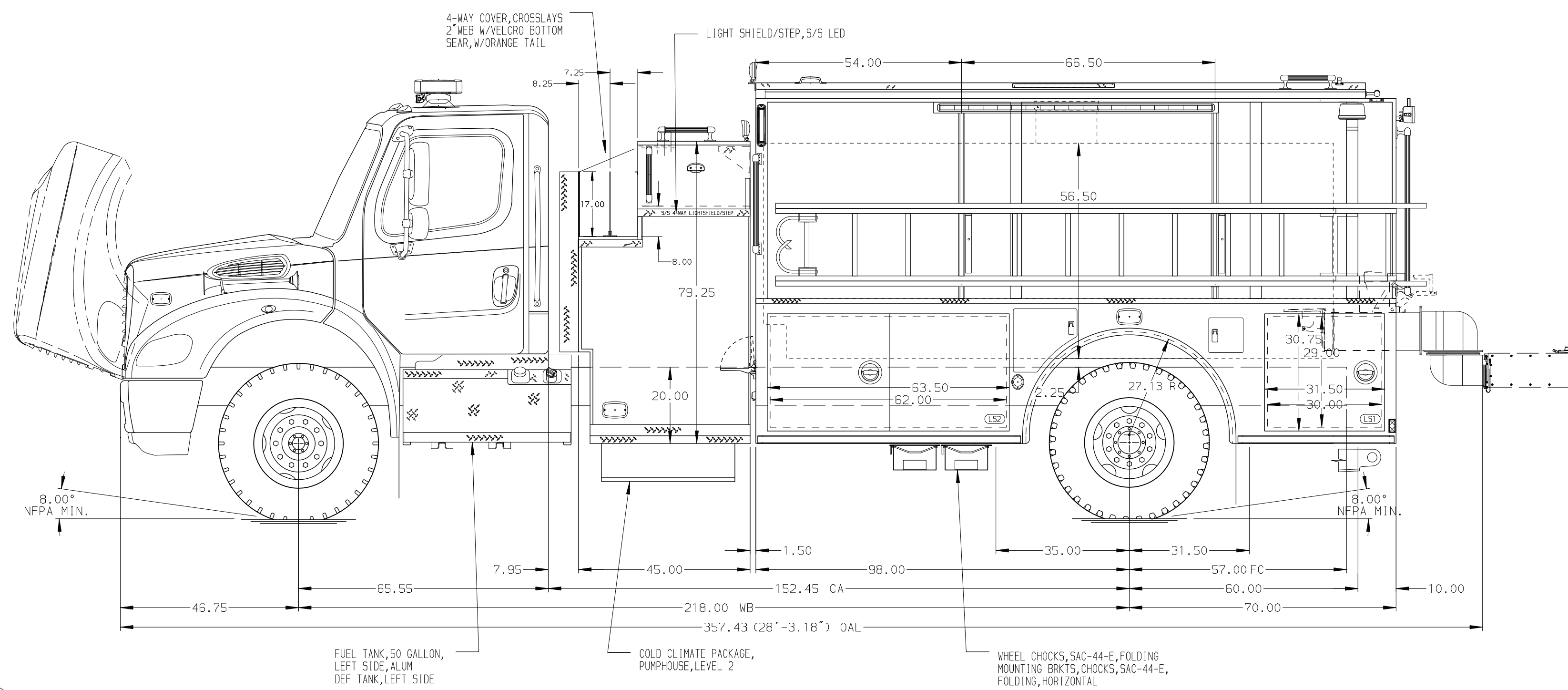


- HOSEBED CAPACITIES
- ① 500' OF 4.00" D.J. POLYESTER HOSE SPLIT
 - ② 250' OF 2.50" D.J. POLYESTER HOSE
 - ③ 200' OF 1.75" D.J. POLYESTER HOSE



ALUMINUM BODY

NOTE
DIMENSIONS SHOWN ARE APPROXIMATE AND ARE SUBJECT TO MINOR DEVIATIONS AS MAY OCCUR OR BE NECESSARY IN CONSTRUCTION. MINOR DETAILS NOT SHOWN.

01FEB24	RWR	NAS	CHASSIS DATA	TITLE	1500-D-2000 POLY, 168" DRYSIDE 2ND GEN BODY, L5&RS LOW 45" SIDE CONTROL, (2) 1.5" CROSSLAYS	JOB NO.	38342
24JUL23	RWR	NAS		FOR	RAMA FIRE & RESCUE SERVICE RAMA, ONTARIO L3V 6H6, CANADA	SCALE	1:24
03MAY23	RHU	NAS	MAKE	DWG NO.		DRAWN BY	JLA
23MAR23	JLA	AJA	FL			CHECKED BY	RWI
08MAR23	JLA	RWI	MODEL			SHEET SIZE	D
REV	DATE	BY	CH	M2-112		SHEET NO.	1 OF 1

Pierce MANUFACTURING INC.
BRADENTON, FLORIDA

38342AD