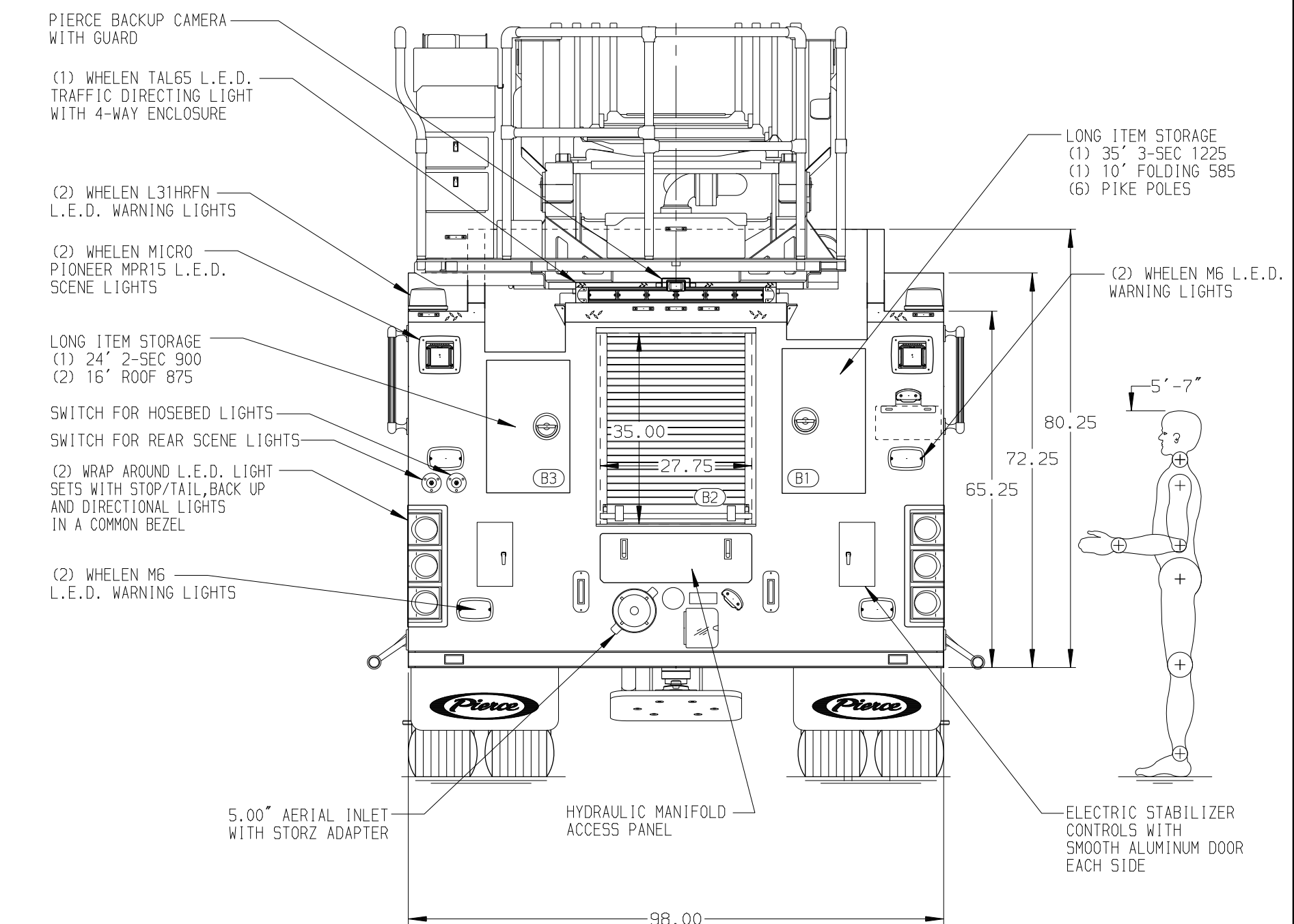
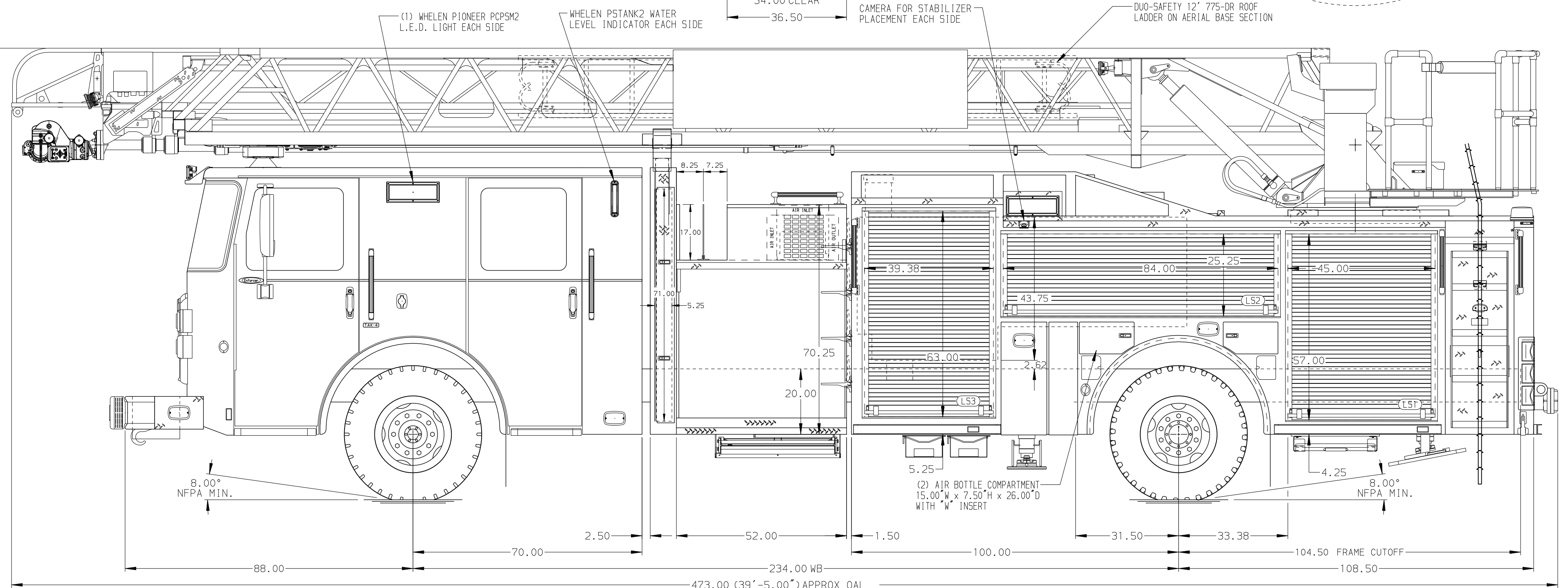


<b>BODY</b> 107' ASL Aluminum Body <b>COMPT, LEFT SIDE FRONT</b> Full Height RollUp Forward <b>COMPT, LEFT SIDE REAR</b> Full Height RollUp Rearward <b>COMPT, RIGHT SIDE FRONT</b> Full Height RollUp Forward <b>COMPT, RIGHT SIDE REAR</b> Full Height RollUp Rearward	<b>WATER TANK</b> 500 Gallon Poly Water Tank <b>Foam System</b> Foam System Not Required <b>Foam Cell</b> Foam Cell Not Required
---	---



<b>CHASSIS</b> Enforcer Chassis <b>ENGINE</b> 525 HP Cummins X12 Engine	<b>CAB</b> 7000 Enforcer Cab <b>BUMPER</b> 19" Extended Stainless Steel	<b>AXLE, FRONT, CUSTOM</b> 22,800 Lb TAK-4 Axle <b>AXLE, REAR</b> 33,500 Lb Meritor Axle	<b>TRANSMISSION</b> Allison 6th Gen, 4000 EVS P	<b>PUMPHOUSE</b> 52" Control Zone Side Mount <b>PUMP</b> 1500 GPM Waterous CSU	<b>CROSSLAYS, 1.50"</b> (2) 1.50" Standard Capacity <b>CROSSLAYS, 2.50"</b> 2.50" Crosslay Not Required	<b>SPEEDLAYS</b> Speedlays Not Required <b>GENERATOR</b> Onan 6kW Hydraulic	<b>SAFETY</b> Side Roll and Frontal Impact Protection	<b>CUSTOMER APPROVAL</b> APPROVED BY: _____ DATE: _____		JOB NO. 38344 SCALE 1:24 DATE DRAWN BY LWE 06JUN22 CHECKED BY ZCH 08JUN22 SHEET SIZE D SHEET NO. 1 OF 1
<b>NOTE</b> DIMENSIONS SHOWN ARE APPROXIMATE AND ARE SUBJECT TO MINOR DEVIATIONS AS MAY OCCUR OR BE NECESSARY IN CONSTRUCTION. MINOR DETAILS NOT SHOWN.										
1. ONE 1.50 OUTLET WITH 2.00 PIPING AND SWIVEL LOCATED ON TOP OF BUMPER 2. SHORELINE RECEPTACLE WITH KUSSMALL SUPER AUTO-EJECT LOCATED ON DRIVER SIDE OF THE CAB 3. AIR INLET WITH DISCONNECT COUPLING ON THE DRIVER PUMP PANEL 4. BATTERY CHARGER/COMPRESSOR LOCATED PER ORDER 5. BATTERY CHARGE INDICATOR LOCATED ON THE DRIVER SIDE SEAT RISER 6. FOUR ADJUSTABLE SHELVES LOCATED PER ORDER 7. FOUR FLOOR MOUNTED SLIDE-OUT TRAYS LOCATED PER ORDER 8. NON-RAISED AERIAL PEDESTAL 9. LIFTING EYE ROPE RESCUE ATTACHMENT AT AERIAL TIP 10. 1500 GPM HIGH FLOW WATERWAY			11. ONSPOT AUTOMATIC TIRE CHAINS 12. ONE TITL/SLIDE-OUT TRAY IN COMPARTMENT PER ORDER 13. ONE SLIDE-OUT TOOLBOARD IN COMPARTMENT PER ORDER 14. TWO VERTICAL PARTITION IN COMPARTMENT PER ORDER 15. CIRCUIT BREAKER PANEL IN COMPARTMENT PER ORDER 16. RUNG LIGHTING ON AERIAL LADDER 17. NO LIMITED RETRACTION							
REV DATE BY CH	CHASSIS DATA MAKE PIERCE MODEL ENFORCER									
TITLE 107' ASCENDANT AERIAL LADDER AND BODY ASSEMBLY FOR BELLA VISTA FIRE DEPARTMENT BELLA VISTA, AR DWG NO. 38344AD										