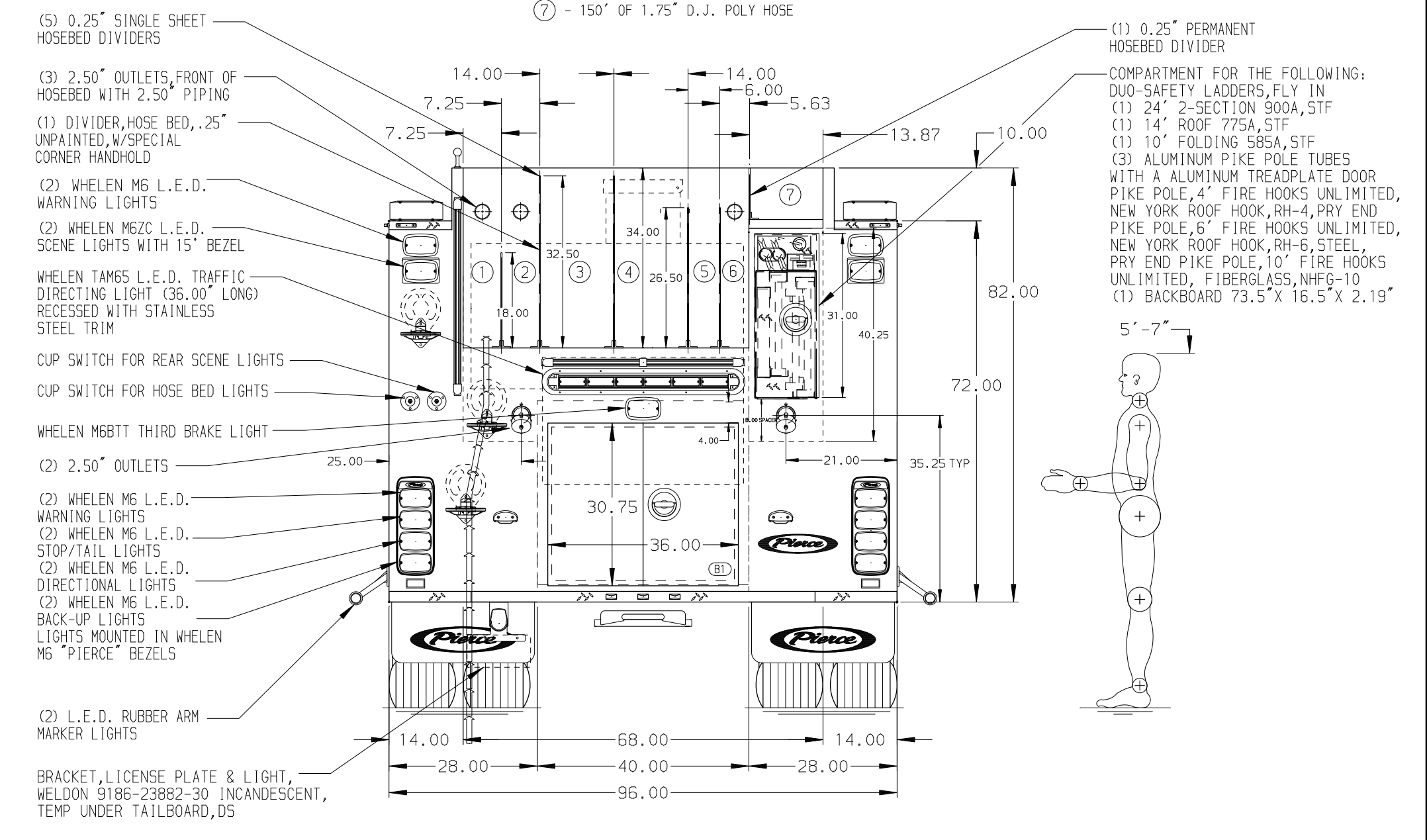
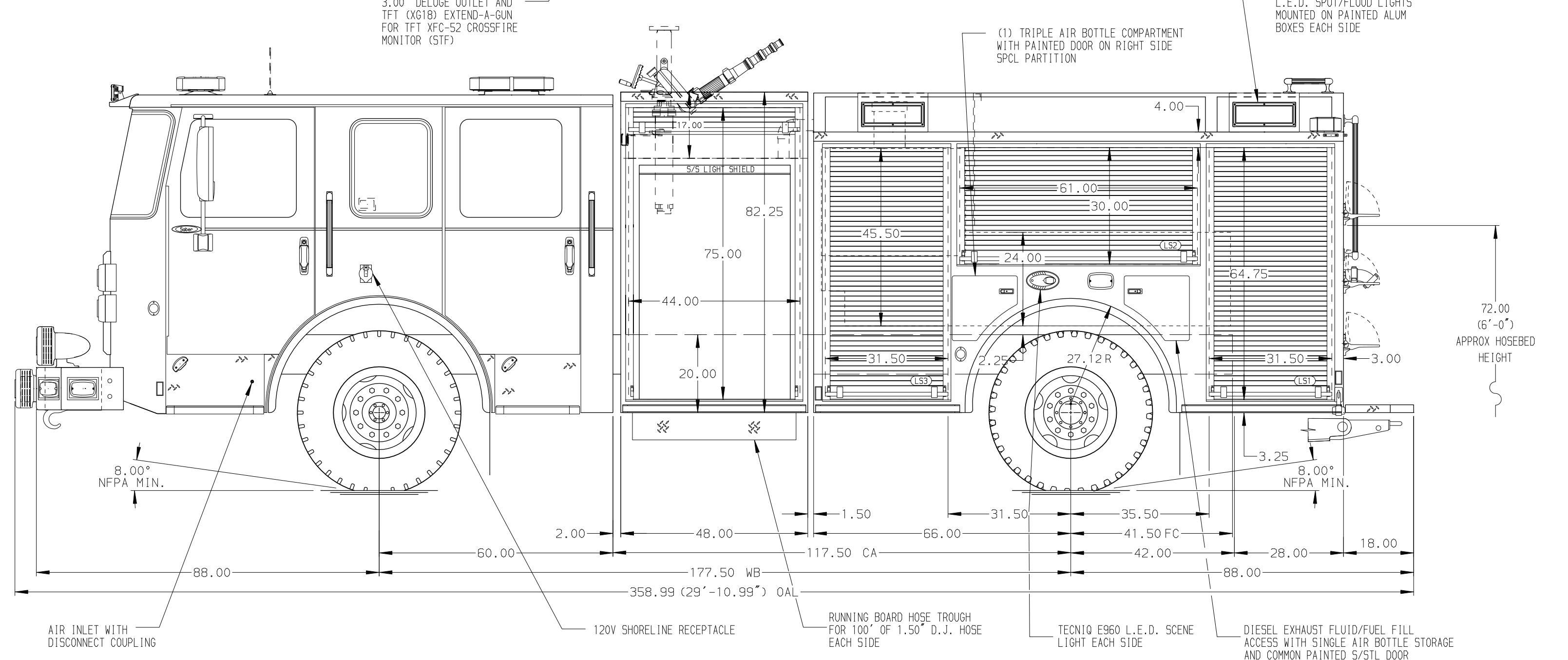


- HOSEBED CAPACITIES
- ① - 250' OF 1.75" D.J. POLY HOSE
 - ② - 250' OF 1.75" D.J. POLY HOSE
 - ③ - 625' OF 3.00" D.J. POLY HOSE
 - ④ - 625' OF 3.00" D.J. POLY HOSE
 - ⑤ - 250' OF 3.00" D.J. POLY HOSE
 - ⑥ - 250' OF 2.50" D.J. POLY HOSE
 - ⑦ - 150' OF 1.75" D.J. POLY HOSE



ALUMINUM BODY

MAXIMUM O.A.L. 359.00"

MAXIMUM O.A.H. 111.00"

NOTE
 DIMENSIONS SHOWN ARE APPROXIMATE AND ARE SUBJECT TO MINOR DEVIATIONS AS MAY OCCUR OR BE NECESSARY IN CONSTRUCTION. MINOR DETAILS NOT SHOWN.

REV	DATE	BY	CH	SABER FR
30JAN23	KLE	CCS		PIERCE
11NOV22	JLA	CCS		MODEL

TITLE	FOR	DWG NO.
1500-D-500 GALLON WATER TANK, 136" FDLER PUMPER BODY LADDERS BTWN TANK & SS, ENCLOSED PUMPHOUSE, DELUGE	CITY OF COLORADO SPRINGS	38346AD

JOB NO.	38346-01-03
SCALE	1:24
DATE	09AUG22
DRAWN BY	JJB
CHECKED BY	SMA
SHEET SIZE	D
SHEET NO.	1 OF 1