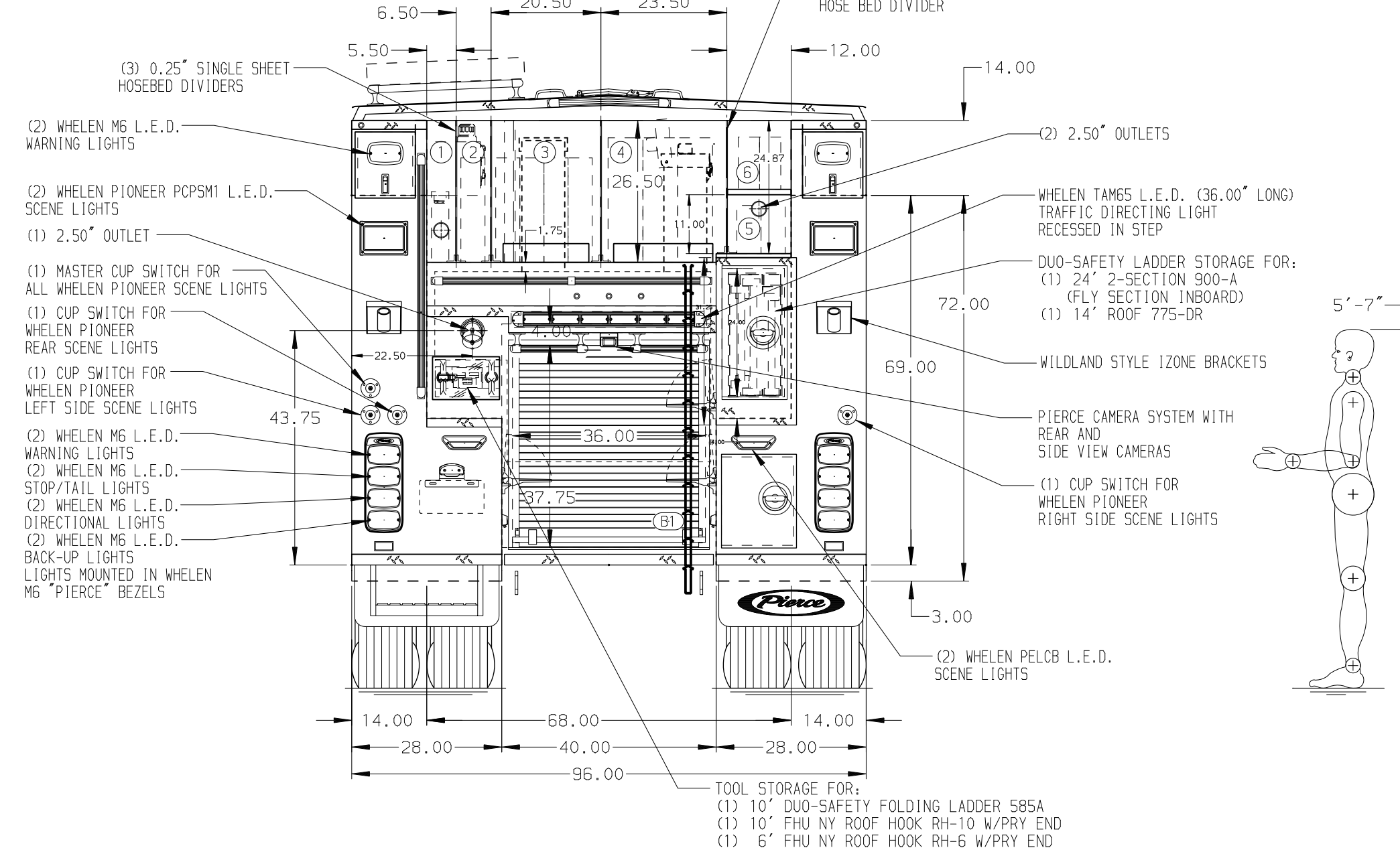
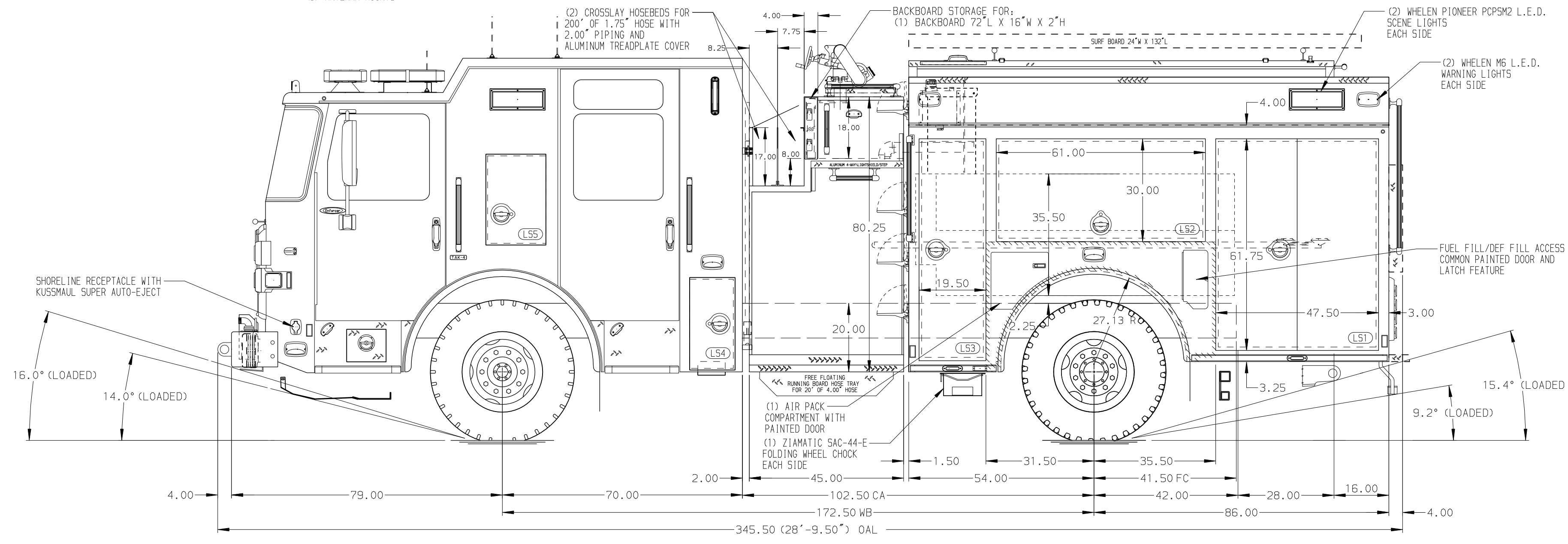


**HOSEBED CAPACITIES**

- ① - 150' OF 1.75" HOSE
- ② - 200' OF 2.50" HOSE
- ③ - 800' OF 2.50" HOSE
- ④ - 800' OF 4.00" HOSE
- ⑤ - 150' OF 2.50" HOSE
- ⑥ - (2) 100' BUNDLES OF 1.75" HOSE



**GALVANNEAL**

**SIDE ROLL AND FRONTAL IMPACT PROTECTION**

**NOTE**  
DIMENSIONS SHOWN ARE APPROXIMATE AND ARE SUBJECT TO MINOR DEVIATIONS AS MAY OCCUR OR BE NECESSARY IN CONSTRUCTION. MINOR DETAILS NOT SHOWN.

1. RECESSED AIR INLET/OUTLET WITH DISCONNECT FITTING LOCATED AT DRIVER'S SIDE PUMP PANEL
2. BATTERY CHARGER MOUNTED BEHIND DRIVER'S SEAT
3. BATTERY CHARGER INDICATOR MOUNTED ON DRIVER'S SEAT RISER
4. TWO MOUNTING BRACKETS FOR PIKE POLES LOCATED ON BACK OF CAB PER ORDER
5. TWO HARD SUCTION HOSE 6" X 10' (CTF)

		JOB NO.	38352
		SCALE	DATE
<b>Pierce MANUFACTURING INC.</b>		TITLE	1500-D-525P, 500G WATER W/25G FOAM, 140" BODY
		FOR	(2) CROSSLAYS, LADDERS BTWN TANK & SS, DELUGE
		MAKE	SOUTHERN MARIN FIRE DISTRICT
		MODEL	MILL VALLEY, CALIFORNIA
		DWG NO.	38352AD
		CHECKED BY	WKL
		SHEET NO.	1 OF 1

REV	DATE	BY	CH	ENFORCER
25MAR24		SAM	DTJ	
09FEB24		SAM	DTJ	
09FEB24		SAM	DTJ	
08JAN24		SAM	WKL	