

- WHELEN MICRO PIONEER MPB L.E.D. TRACKING AND TIP LIGHT EACH SIDE
- (1) WHELEN PIONEER PMH2 L.E.D. VISOR LIGHT
- (2) WHELEN FREEDOM IV 21.50" L.E.D. LIGHTBARS

RETRAC HEATED/REMOTE CONTROL MIRRORS WITH CONVEX SECTION

- (1) FEDERAL Q28 SIREN
- (2) WHELEN M6 L.E.D. WARNING LIGHTS IN A COMMON BEZEL EACH SIDE

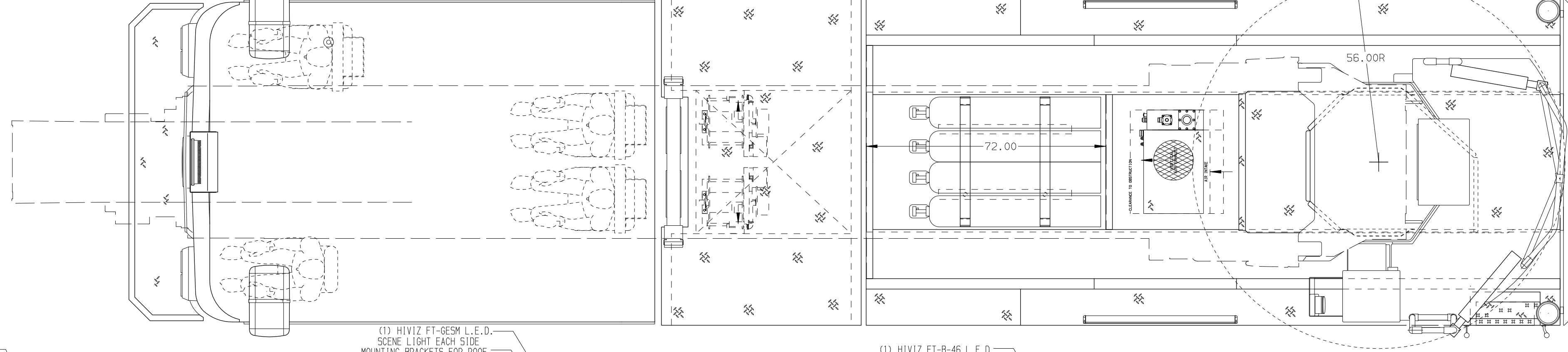
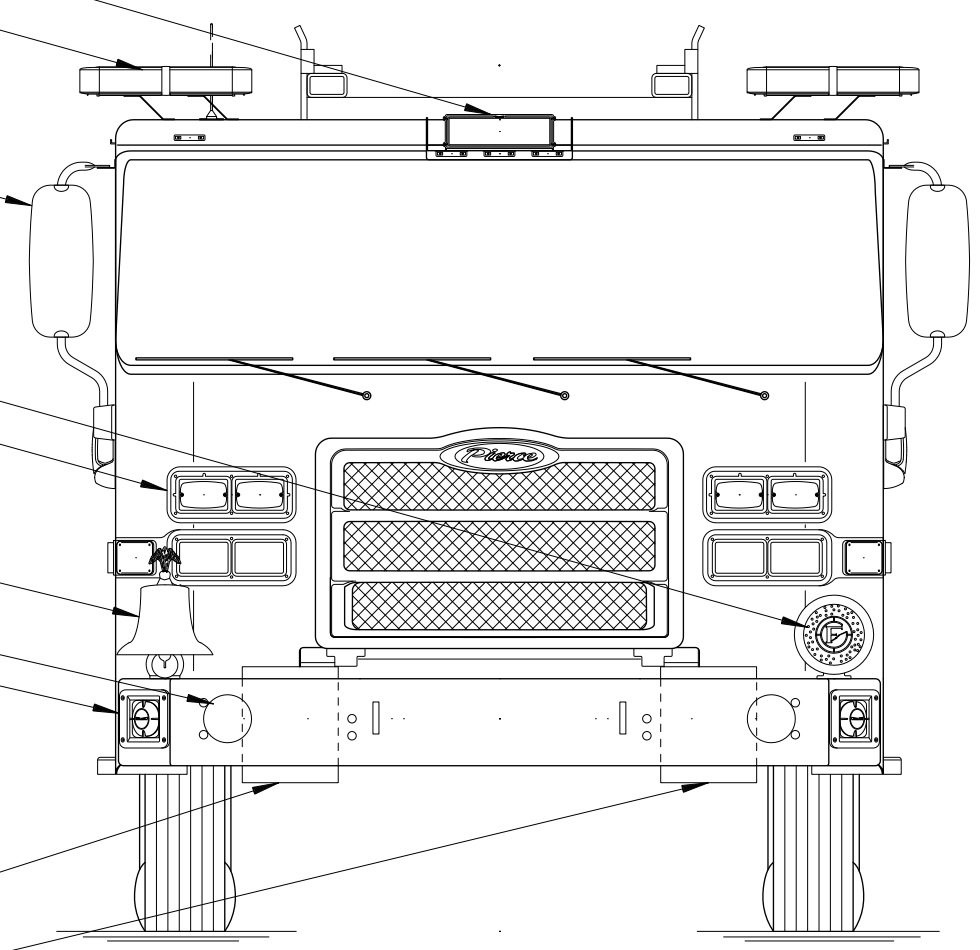
CHROME BELL WITH EAGLE

- (2) HADLEY AIR HORNS
- (2) WHELEN SP1238MC SPEAKERS

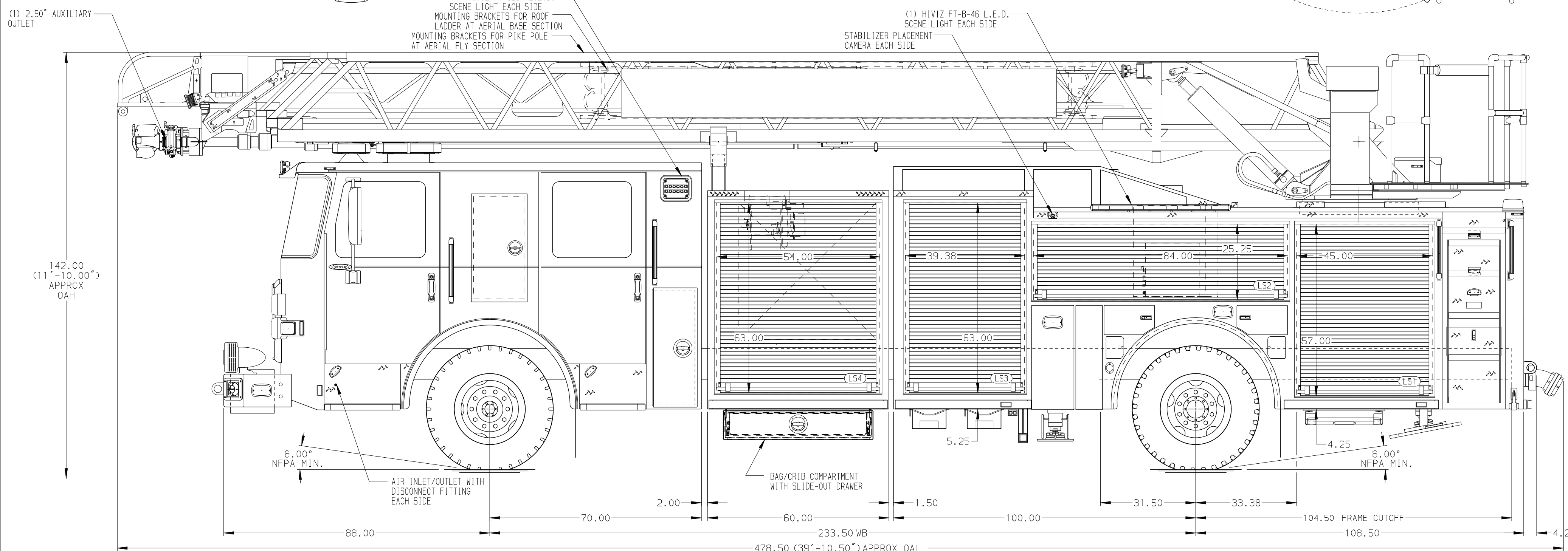
- (2) WHELEN M6 L.E.D. WARNING LIGHTS EACH SIDE

RIGHT SIDE TOOL BOX WITH ALUMINUM 4-WAY COVER

LEFT SIDE TOOL BOX WITH ALUMINUM 4-WAY COVER



BODY	WATER TANK
107' ASL Aluminum Body	Water Tank Not Required
COMPT, LEFT SIDE FRONT	Foam System
Full Height RollUp Forward	Foam System Not Required
COMPT, LEFT SIDE REAR	Foam Cell
Full Height RollUp Rearward	Foam Cell Not Required
COMPT, RIGHT SIDE FRONT	
Full Height RollUp Forward	
COMPT, RIGHT SIDE REAR	
Full Height RollUp Rearward-Large Rear	



(1) 2.50" AUXILIARY OUTLET

- (1) H1VIZ FT-GE5M L.E.D. SCENE LIGHT EACH SIDE
- MOUNTING BRACKETS FOR ROOF LADDER AT AERIAL BASE SECTION
- MOUNTING BRACKETS FOR PIKE POLE AT AERIAL FLY SECTION

STABILIZER PLACEMENT CAMERA EACH SIDE

- (1) H1VIZ FT-B-46 L.E.D. SCENE LIGHT EACH SIDE

VEHICLE CAMERA SYSTEM WITH PIERCE REAR VIEW CAMERA

- (1) WHELEN TAL65 L.E.D. TRAFFIC DIRECTING LIGHT WITH 4-WAY ENCLOSURE
- (2) WHELEN ROTA-BEAM R316XF L.E.D. WARNING LIGHTS
- (2) H1VIZ FT-GE5M L.E.D. SCENE LIGHTS

LONG ITEM STORAGE

- (1) 24" 2-SEC 900
- (1) 14" 2-SEC 701
- (1) 10" FOLDING 585
- (6) PIKE POLES

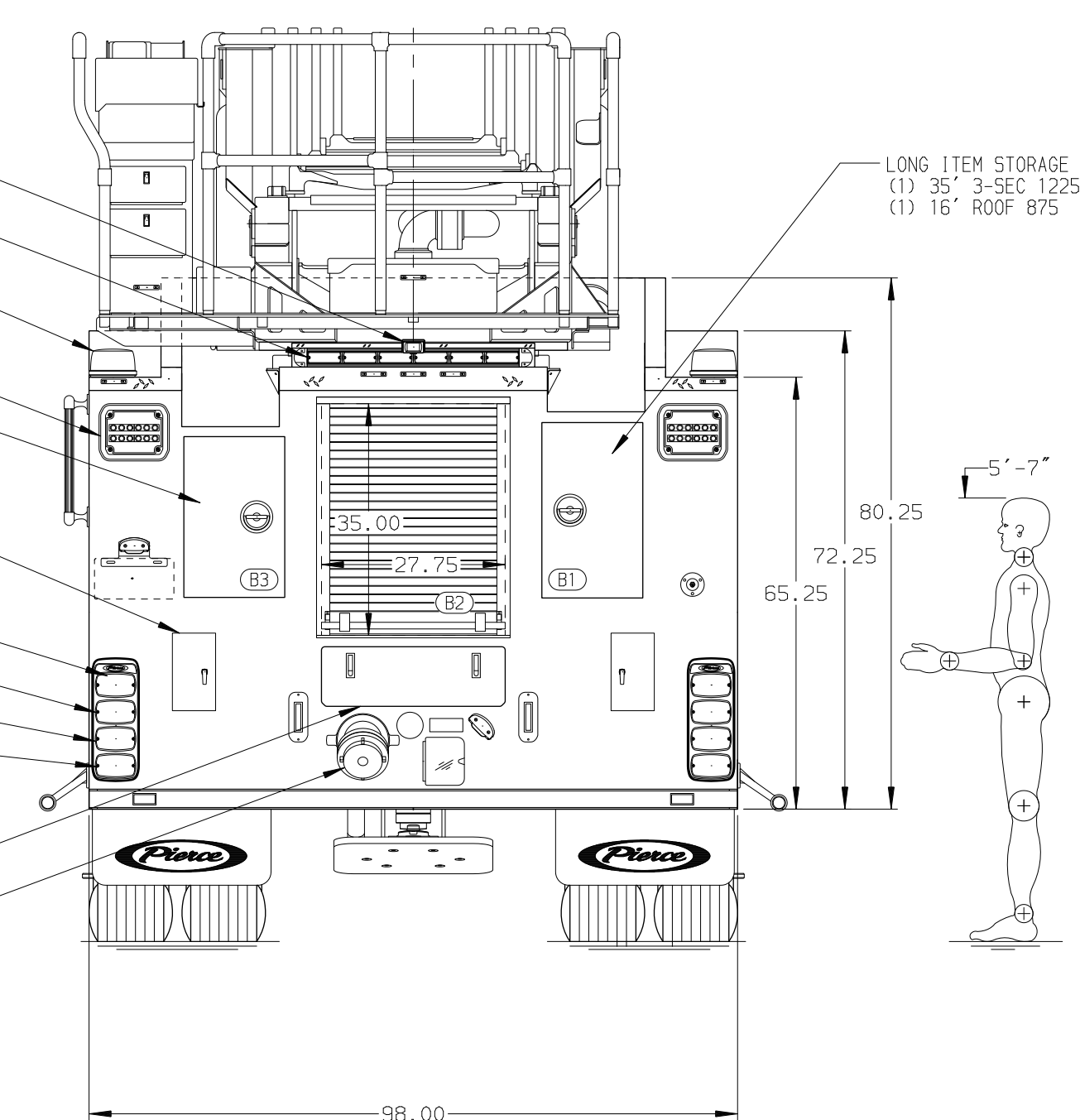
ELECTRIC STABILIZER CONTROLS WITH SMOOTH ALUMINUM DOOR EACH SIDE

- (2) WHELEN M6 L.E.D. WARNING LIGHTS
- (2) WHELEN M6 L.E.D. STOP/TAIL LIGHTS
- (2) WHELEN M6 L.E.D. DIRECTIONAL LIGHTS
- (2) WHELEN M6 L.E.D. BACK-UP LIGHTS

LIGHTS MOUNTED IN WHELEN M6 "PIERCE" BEZELS

HYDRAULIC MANIFOLD ACCESS PANEL

5.00" AERIAL INLET WITH 5.00" STORZ ELBOW



LONG ITEM STORAGE

- (1) 35" 3-SEC 1225
- (1) 16" ROOF 875

5'-7"

80.25

72.25

65.25

CHASSIS	CAB	AXLE, FRONT, CUSTOM	TRANSMISSION	PUMPHOUSE	CROSSLAYS, 1.50"	SPEEDLAYS	CUSTOMER APPROVAL		JOB NO.
Enforcer Chassis	7000 Enforcer Cab	21,500 Lb Meritor Axle	Allison 5th Gen, 4000 EVS P	60" Compartment, No Pump	1.50" CrossLay Not Required	Speedlays Not Required	APPROVED BY: _____		38366
500 HP Cummins X12 Engine	19" Extended Painted Steel	33,500 Lb Meritor Axle		Pump Not Required	2.50" CrossLay Not Required	Harrison GKW MAS-D Hydraulic	DATE: _____		SCALE 1:24
ENGINE BUMPER		AXLE, REAR	PUMP		GENERATOR		CHASSIS DATA		TITLE
19" Extended Painted Steel			Pump Not Required		Harrison GKW MAS-D Hydraulic		MAKE		107' ASCENDANT AERIAL LADDER AND BODY ASSEMBLY
							PIERCE		FOR
							MODEL		CADDO FIRE DISTRICT NO. 1
							ENFORCER		SHREVEPORT, LA
							REV		DWG NO.
							DATE		38366AD
							BY		SHEET SIZE
							CH		D
									SHEET NO.
									1 OF 1

**NOTE**  
DIMENSIONS SHOWN ARE APPROXIMATE AND ARE SUBJECT TO MINOR DEVIATIONS AS MAY OCCUR OR BE NECESSARY IN CONSTRUCTION. MINOR DETAILS NOT SHOWN.

- BATTERY CHARGER LOCATED IN COMPARTMENT PER ORDER
- BATTERY CHARGER INDICATOR LOCKED ON DRIVER'S SEAT RISER
- NINE ADJUSTABLE FULL WIDTH/FULL DEPTH SHELVES IN COMPARTMENT PER ORDER
- SIX FLOOR MOUNTED SLIDE-OUT TRAYS IN COMPARTMENT PER ORDER
- ONE CTECH 3-DRAWER ASSEMBLY IN COMPARTMENT PER ORDER
- TWO SLIDE-OUT TOOL BOARDS WITH PEGBOARD PATTERN IN COMPARTMENT PER ORDER
- THREE VERTICAL PARTITIONS IN COMPARTMENT PER ORDER
- ONE 1.00" RETAINING LIP IN COMPARTMENT PER ORDER
- FOUR POLY TOOL BOXES IN COMPARTMENT PER ORDER
- ONE SCBA STORAGE RACK FOR (6) BOTTLES IN COMPARTMENT PER ORDER

- ONE EQUIPMENT STORAGE MODULE IN COMPARTMENT PER ORDER
- ALUMINUM PEGBOARD ON BACK WALL OF COMPARTMENT PER ORDER
- TWO HOSE STORAGE RACKS IN COMPARTMENT PER ORDER
- ONE STORAGE RACK FOR (8) AIR BAGS IN COMPARTMENT PER ORDER
- TWO FLOOR EXTENSIONS IN COMPARTMENT PER ORDER
- CIRCUIT BREAKER PANEL IN COMPARTMENT PER ORDER
- TWO HANNAV ELECTRIC REWIND CORD REELS MODEL 1618-17-18 WITH 200' OF 10/3 CABLE IN COMPARTMENT PER ORDER
- CASCADE BREATHING AIR SYSTEM LOCATED PER ORDER
- AIR CONTROL PANEL FOR BREATHING AIR SYSTEM IN COMPARTMENT PER ORDER

- TRIDENT FOLDING STEPS ON AERIAL DEVICE
- REMOTE LADDER CONTROLS AT AERIAL TIP
- TECNIO L.E.D. RING STYLE LIGHTING ON AERIAL LADDER SECTIONS PER SHOP ORDER
- 2-WAY INTERCOM SYSTEM BETWEEN AERIAL TIP OR PLATFORM AND TURNABLE
- LIFTING EYE ROPE RESCUE ATTACHMENT AT AERIAL TIP
- 1500 GPM HIGH FLOW WATERWAY