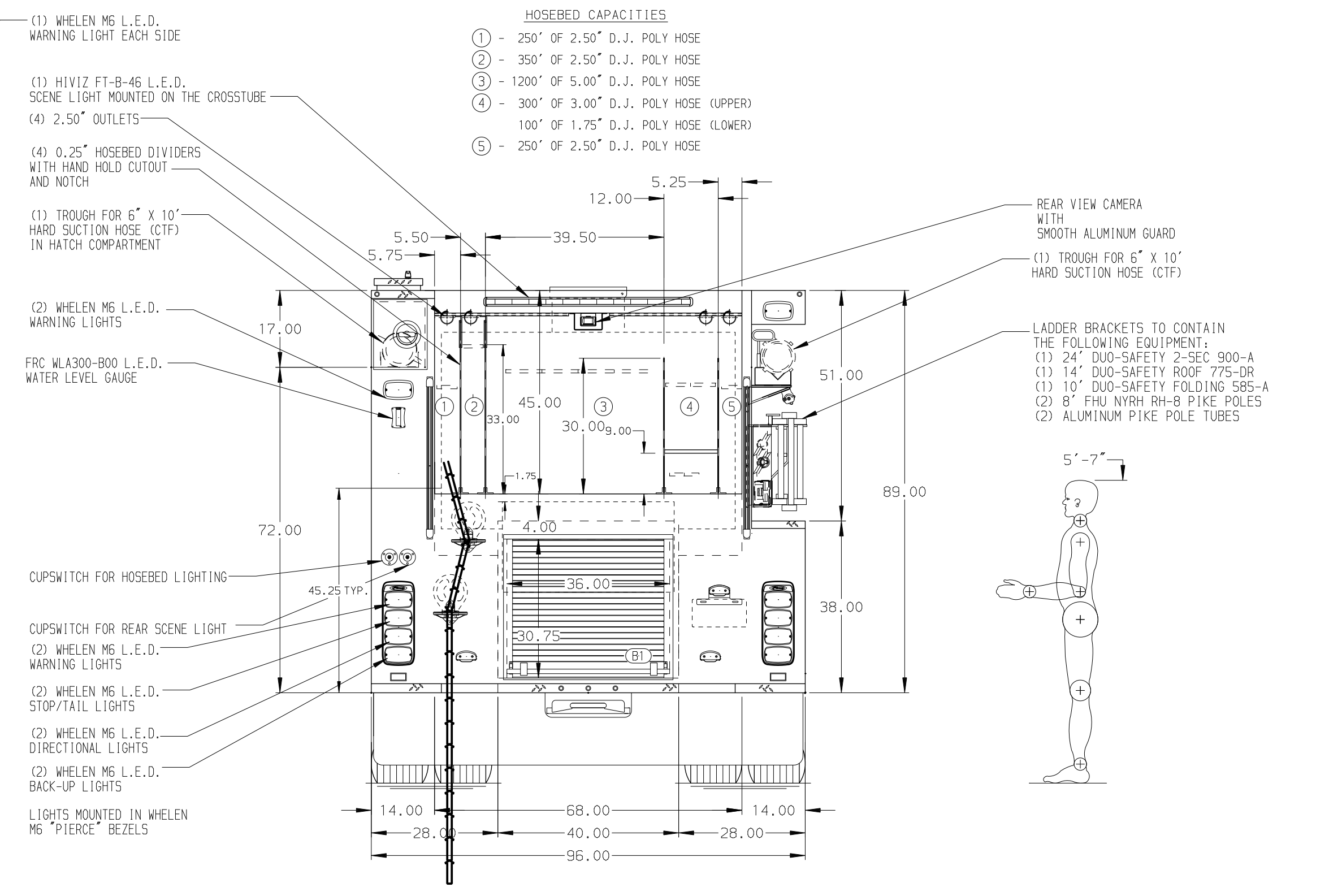
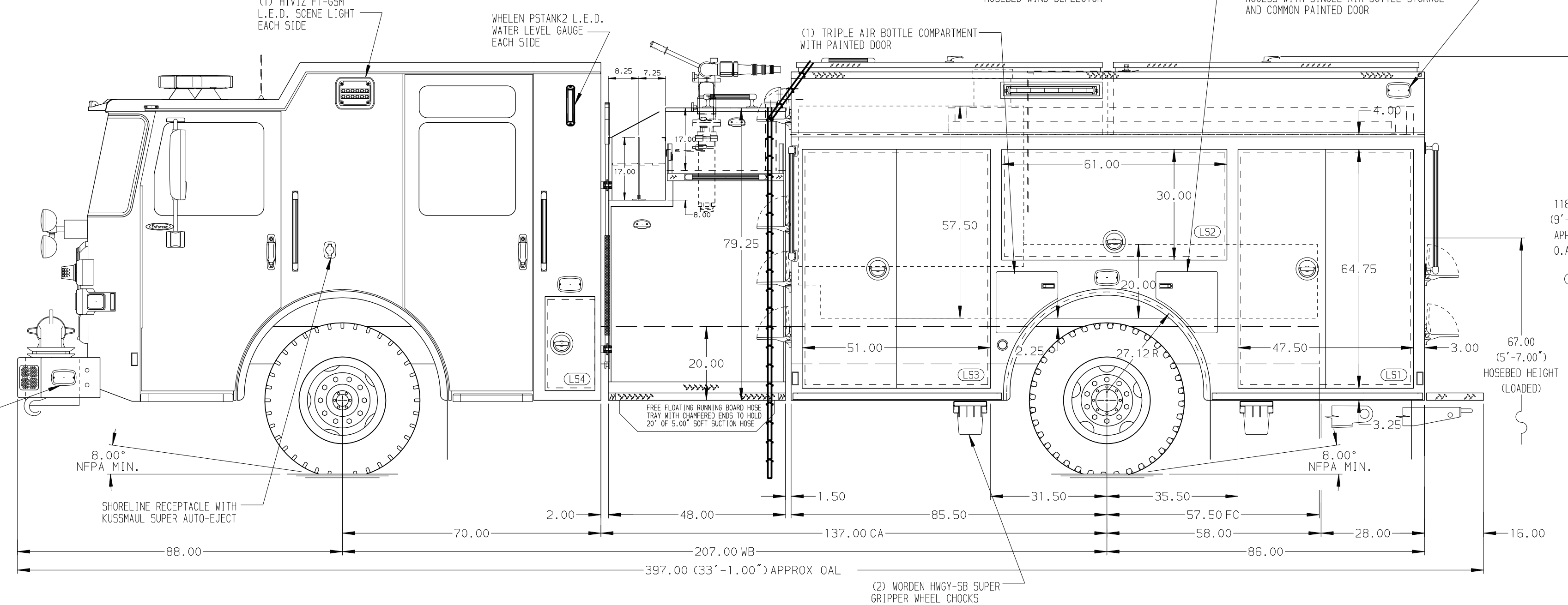


HOSEBED CAPACITIES

- 250' OF 2.50" D.J. POLY HOSE
- 350' OF 2.50" D.J. POLY HOSE
- 1200' OF 5.00" D.J. POLY HOSE
- 300' OF 3.00" D.J. POLY HOSE (UPPER)
100' OF 1.75" D.J. POLY HOSE (LOWER)
- 250' OF 2.50" D.J. POLY HOSE



ALUMINUM BODY

SIDE ROLL AND FRONTAL IMPACT PROTECTION

NOTE
 DIMENSIONS SHOWN ARE APPROXIMATE AND ARE SUBJECT TO MINOR DEVIATIONS AS MAY OCCUR OR BE NECESSARY IN CONSTRUCTION. MINOR DETAILS NOT SHOWN.

- ONSPOT AUTOMATIC TIRE CHAINS TO BE PROVIDED AT REAR
- AIR INLET WITH DISCONNECT COUPLING LOCATED PER SHOP ORDER
- TWO AIR OUTLETS WITH SHUT-OFF VALVE LOCATED PER SHOP ORDER
- BATTERY CHARGER LOCATED IN THE CAB PER SHOP ORDER
- BATTERY CHARGER INDICATOR LOCATED IN THE CAB PER SHOP ORDER
- DUAL L.E.D. LIGHT STRIPS LOCATED IN HOSE BED
- ONE DRIP PAN GUARD FOR ROLL-UP DOOR LOCATED PER SHOP ORDER
- FOUR FULL WIDTH/DEPTH ADJUSTABLE SHELVES LOCATED PER SHOP ORDER
- ONE ADJUSTABLE SLIDE-OUT TRAY LOCATED PER SHOP ORDER
- ONE FLOOR MOUNTED SLIDE-OUT TRAY LOCATED PER SHOP ORDER
- ONE SWING-OUT TOOL BOARD WITH PEGBOARD PATTERN LOCATED PER SHOP ORDER
- PARTITION BETWEEN L51/B1 AND R51/B1
- ONE VERTICAL PARTITION LOCATED PER SHOP ORDER
- ROLLED HOSE STORAGE RACK IN B1
- TWO PEGBOARDS MOUNTED ON THE BACKWALL LOCATED PER SHOP ORDER
- L.E.D. LIGHT STRIPS LOCATED IN THE CARGO AREA
- TWO 120V DUPLEX RECEPTACLES LOCATED IN THE CAB PER SHOP ORDER
- ONE 120V NEAM DUPLEX RECEPTACLE LOCATED IN THE BODY PER SHOP ORDER

REV	DATE	BY	CH	ENFORCER
240CT23	LST	DTJ		CHASSIS DATA
130CT23	LST	DTJ		MAKE
05SEP23	LST	DTJ		PIERCE
31AUG23	LST	DTJ		MODEL
17MAY23	CDU	CZA		

		JOB NO.	38386
		SCALE	DATE
TITLE 1500-D-1000P, 1000 GALLON WATER TANK, 171" BODY LADDERS ON R5 BRACKET, (2) CROSSLAYS, DELUGE	FOR LOCKE TOWNSHIP FIRE DEPARTMENT SALISBURY, NORTH CAROLINA	DRAWN BY	LST
		CHECKED BY	EGO
		SHEET SIZE	SHEET NO.
DWG NO.	38386AD		1 OF 1