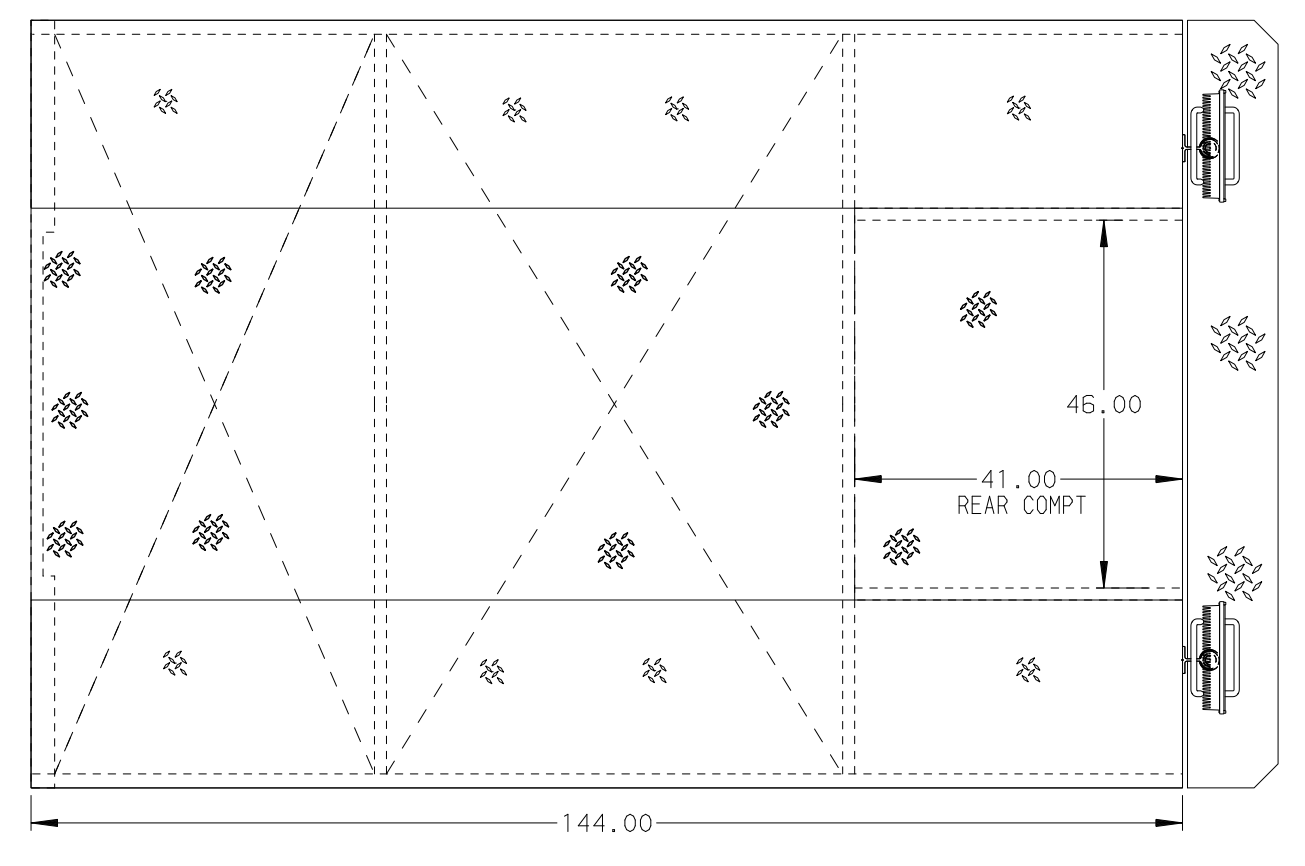
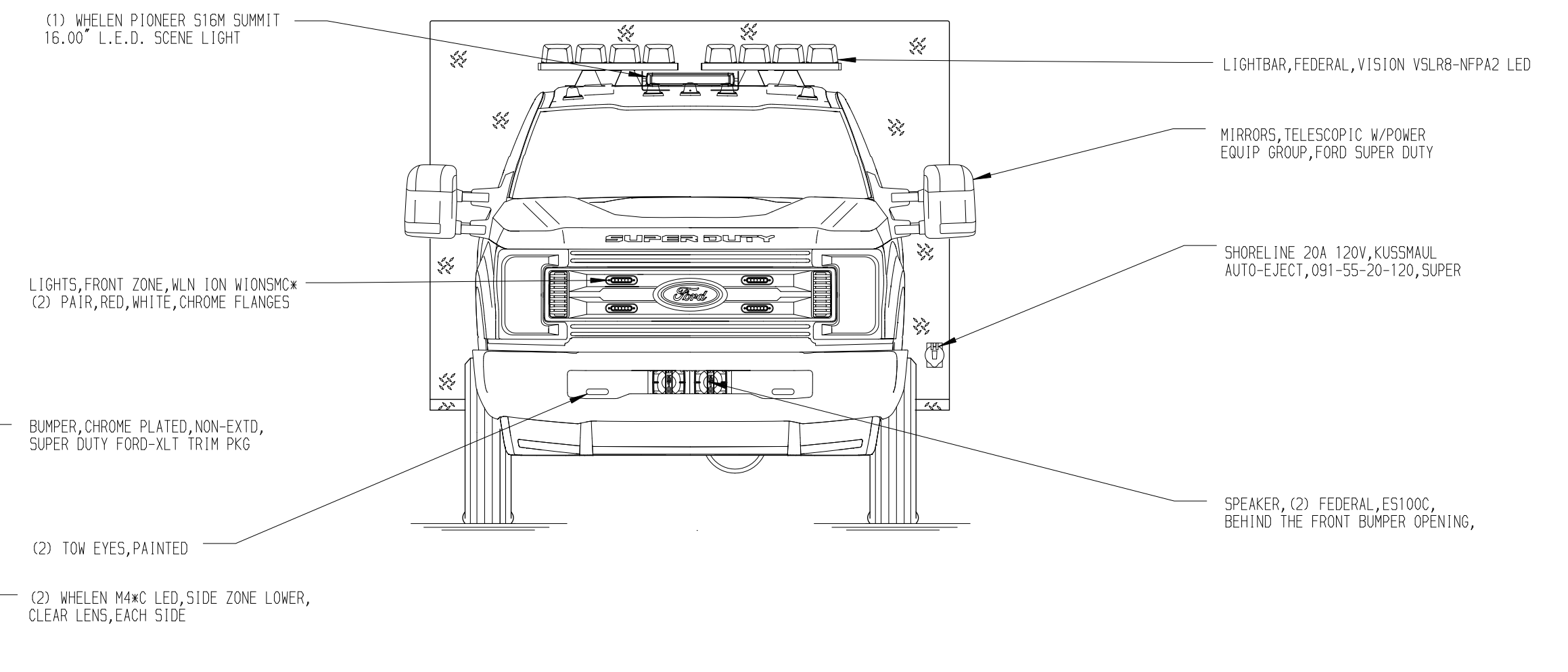
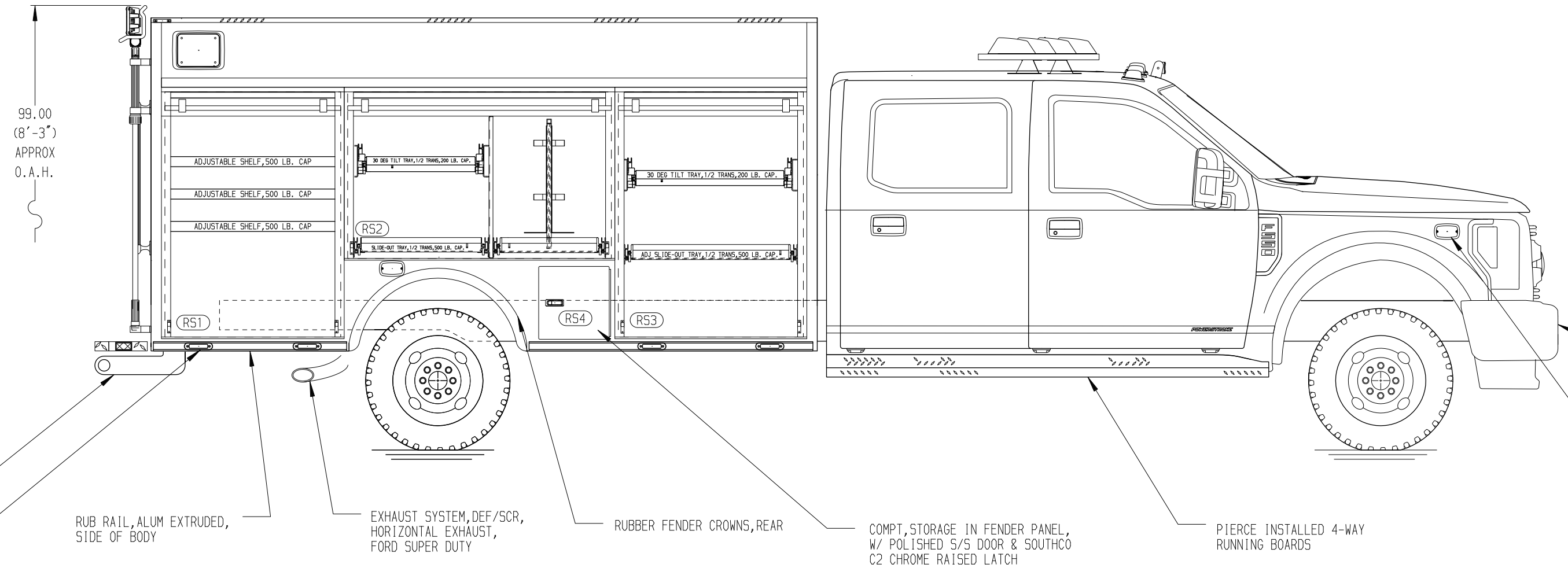


**PASSENGER'S SIDE COMPARTMENTS CONTAIN THE FOLLOWING:**

COMPARTMENT RS1 CONTAINS:  
 - (3) ADJUSTABLE SHELVES, 500 LB. CAP.

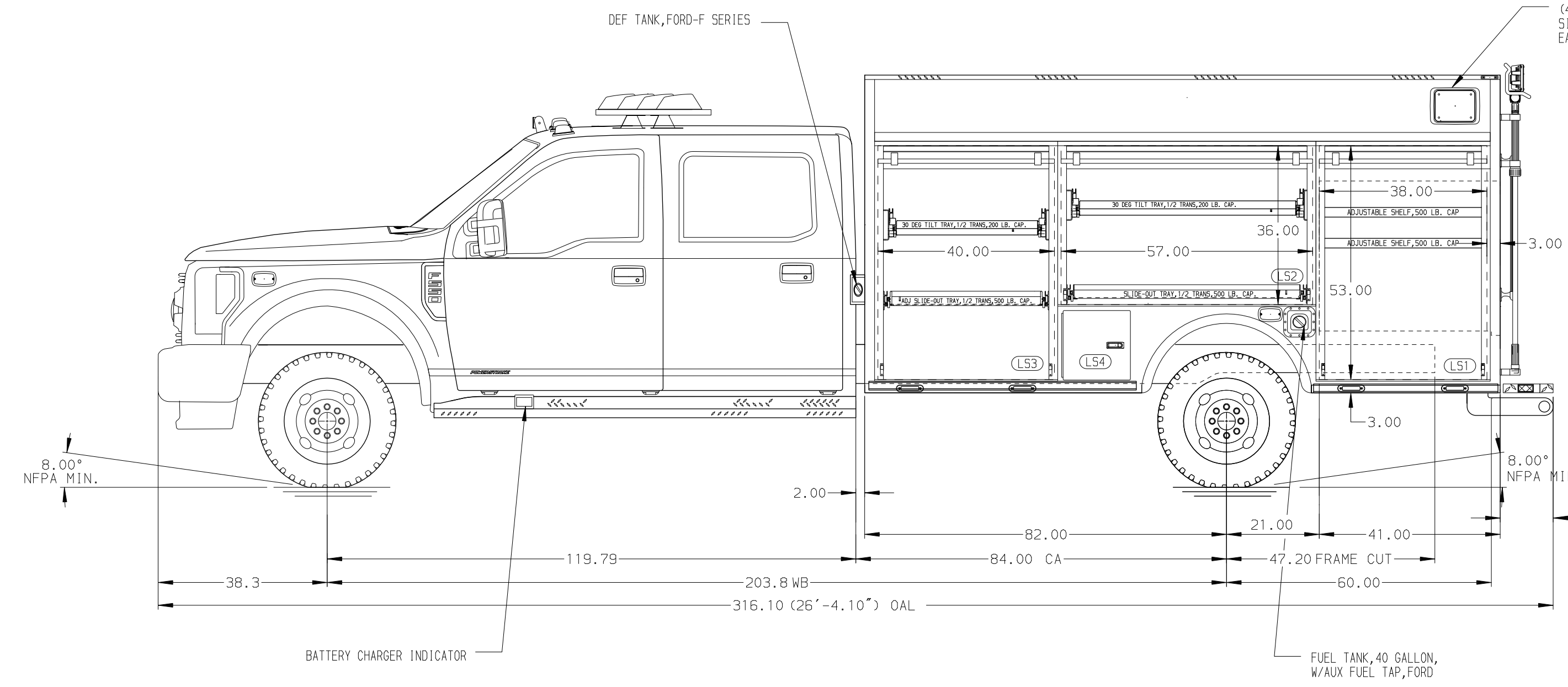
COMPARTMENT RS2 CONTAINS:  
 - (1) 30 DEGREE TILT TRAY, 1/2 DEPTH OF TRANSVERSE, 200 LB. CAP.  
 - (1) VERTICAL COMPARTMENT DIVIDER  
 - (2) SLIDE-OUT TRAY, 1/2 DEPTH OF TRANSVERSE, 500 LB. CAP.  
 - (1) TOOLBOARD, ADDED TO SLIDE-OUT TRAY, 1/2 DEPTH OF TRANSVERSE  
 - (4) AIR BOTTLE HOLDER, ZICO MODEL UH-6-30-3-5F, (2) EACH SIDE OF TOOLBOARD

COMPARTMENT RS3 CONTAINS:  
 - (1) 30 DEGREE TILT TRAY, 1/2 DEPTH OF TRANSVERSE, 200 LB. CAP.  
 - (1) ADJUSTABLE HEIGHT SLIDE-OUT TRAY, 1/2 DEPTH OF TRANSVERSE, 500 LB. CAP.



**REAR COMPARTMENT B1 CONTAINS THE FOLLOWING:**

- (1) ADJUSTABLE SHELF, 500 LB. CAP.  
 - (1) TRAY SLIDE OUT, STD DEPTH, FLOOR MOUNTED, 500LB CAPACITY

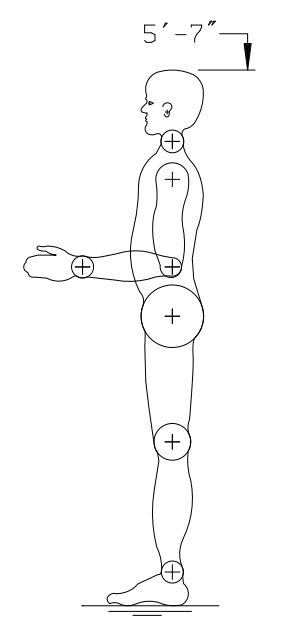
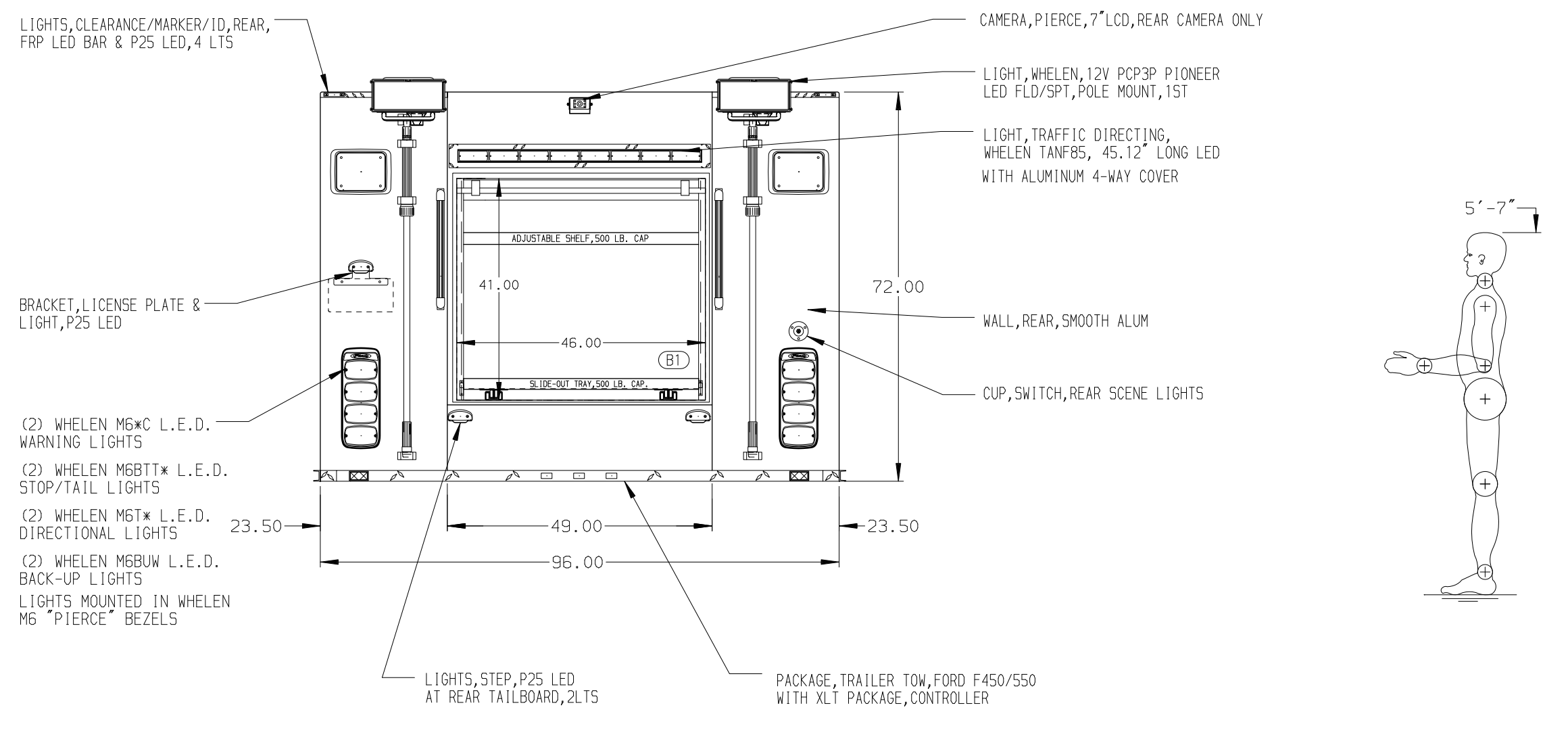


**DRIVER'S SIDE COMPARTMENTS CONTAIN THE FOLLOWING:**

COMPARTMENT LS1 CONTAINS:  
 - (2) ADJUSTABLE SHELVES, 500 LB. CAP.

COMPARTMENT LS2 CONTAINS:  
 - (1) 30 DEGREE TILT TRAY, 1/2 DEPTH OF TRANSVERSE, 200 LB. CAP.  
 - (1) SLIDE-OUT TRAY, 1/2 DEPTH OF TRANSVERSE, 500 LB. CAP.

COMPARTMENT LS3 CONTAINS:  
 CHARGER, SNGL SYS, KUSSMAUL, 1200, 091-187-12-REMOTE, 40 AMP BAR DISPLAY  
 - (1) 30 DEGREE TILT TRAY, 1/2 DEPTH OF TRANSVERSE, 500 LB. CAP.  
 - (1) ADJUSTABLE HEIGHT SLIDE-OUT TRAY, 1/2 DEPTH OF TRANSVERSE, 500 LB. CAP.



**ALUMINUM BODY**

**NOTE**  
 DIMENSIONS SHOWN ARE APPROXIMATE AND ARE SUBJECT TO MINOR DEVIATIONS AS MAY OCCUR OR BE NECESSARY IN CONSTRUCTION. MINOR DETAILS NOT SHOWN.

2022 MODEL YEAR SHOWN FOR REFERENCE ONLY, 2023 CAB SYMBOLS WERE NOT AVAILABLE AT TIME OF RELEASE TO MANUFACTURING.

|         |      |     |       |                 |
|---------|------|-----|-------|-----------------|
| REV.    | DATE | BY  | CHK'D | CHASSIS DATA    |
| 170CT23 |      | RHU | DDR   | CHASSIS DATA    |
| 120CT23 |      | RWR | DDR   | CHASSIS DATA    |
| 18SEP23 |      | RWR | CCS   | FORD            |
| 29JUN23 |      | RHU | AJA   | MODEL F-550 4X4 |

|  |                                      |                  |              |
|--|--------------------------------------|------------------|--------------|
| <b>Pierce MANUFACTURING INC.</b><br>BRADENTON, FLORIDA |                                      | JOB NO.          | 38401        |
|  |                                      | DATE             | SCALE 1:24   |
| TITLE  | 12' RESCUE, NON-WALK-IN              | 21RHU23          | DRAWN BY RHU |
| FOR  | WYANDOTTE COUNTY KANSAS CITY, KANSAS | 22JUN23          | CHK'D BY AJA |
| DRWG. NO.  | 38401AD                              | SHEET NO. 1 OF 1 | SHEET SIZE D |