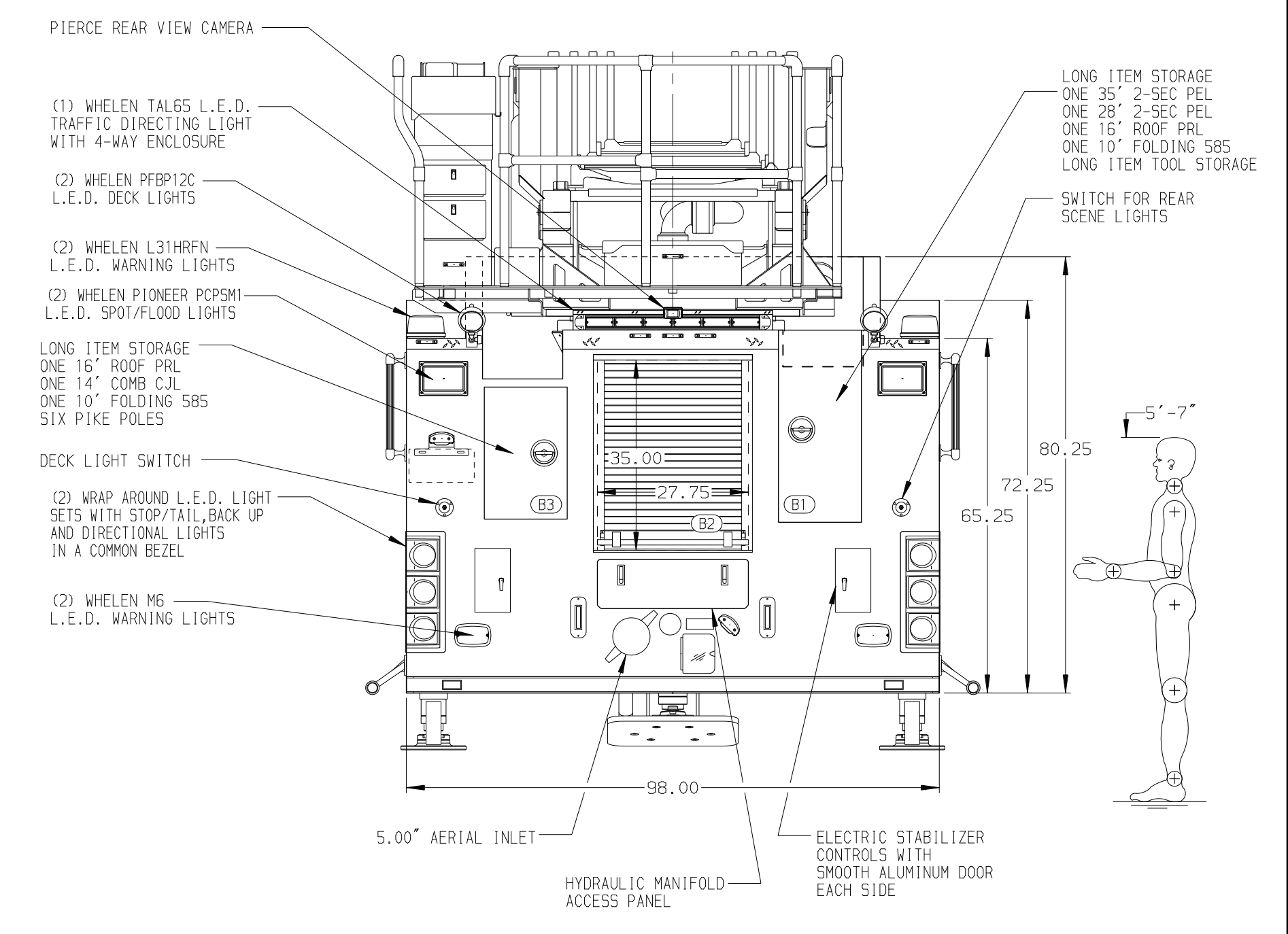


BODY	WATER TANK
107' ASL Aluminum Body	500 Gallon Poly Water Tank
COMPT, LEFT SIDE FRONT	Foam System
Full Height RollUp Forward	Foam System Not Required
COMPT, LEFT SIDE REAR	Foam Cell
Full Height RollUp Rearward	Foam Cell Not Required
COMPT, RIGHT SIDE FRONT	
Full Height RollUp Forward	
COMPT, RIGHT SIDE REAR	
Full Height RollUp Rearward	



CHASSIS	CAB	AXLE, FRONT, CUSTOM	TRANSMISSION	PUMPHOUSE	CROSSLAYS, 1.50"	SPEEDLAYS
Enforcer Chassis	7000 Enforcer Cab	22,800 Lb TAK-4 Axle	Allison 5th Gen, 4000 EV5 P	52" Control Zone Side Mount	(2) 1.50" Standard Capacity	Speedlays Not Required
ENGINE	BUMPER	AXLE, REAR		PUMP	CROSSLAYS, 2.50"	GENERATOR
525 HP Cummins X12 Engine	22" Extended Painted Steel	33,500 Lb Meritor Axle		2000 GPM Waterous CSU	(1) 2.50" Standard Capacity	Generator Not Required

CUSTOMER APPROVAL
 APPROVED BY: _____
 DATE: _____

Pierce MANUFACTURING INC.

JOB NO. 38407
 SCALE 1:24
 DATE _____

NOTE
 DIMENSIONS SHOWN ARE APPROXIMATE AND ARE SUBJECT TO MINOR DEVIATIONS AS MAY OCCUR OR BE NECESSARY IN CONSTRUCTION. MINOR DETAILS NOT SHOWN.

- ONE 1.50 OUTLET WITH 2.00 PIPING AND SWIVEL LOCATED IN CENTER BUMPER TRAY
- SHOULDER RECEPTACLE WITH KUSSMAUL SUPER AUTO-EJECT LOCATED ON DRIVER SIDE OF THE CAB
- AIR INLET WITH DISCONNECT COUPLING IN THE DRIVER SIDE STEPWELL
- BATTERY CHARGER LOCATED IN COMPARTMENT PER SHOP ORDER
- BATTERY CHARGE INDICATOR LOCATED ON THE DRIVER SIDE SEAT RISER
- SIX ADJUSTABLE SHELVES IN COMPARTMENTS PER SHOP ORDER
- FOUR FLOOR MOUNTED SLIDE-OUT TRAY IN COMPARTMENTS PER SHOP ORDER
- NON-RAISED AERIAL PEDESTAL
- LIFTING EYE ROPE RESCUE ATTACHMENT AT AERIAL TIP
- 1500 GPM HIGH FLOW WATERWAY
- ONE SWING-OUT TOOLBOARD IN COMPARTMENT PER SHOP ORDER
- 2-WAY INTERCOM SYSTEM BETWEEN AERIAL TIP AND TURNTABLE
- RUNG LIGHTING ON AERIAL LADDER

REV	DATE	BY	CH	ENFORCER	TITLE	FOR	DWG NO.
					CHASSIS DATA	107' ASCENDANT AERIAL LADDER AND BODY ASSEMBLY	
					MAKE	500 GALLON WATER TANK	
					PIERCE	MOBILE FIRE & RESCUE	
					MODEL	MOBILE, AL	
							38407AD
							D
							1 OF 1