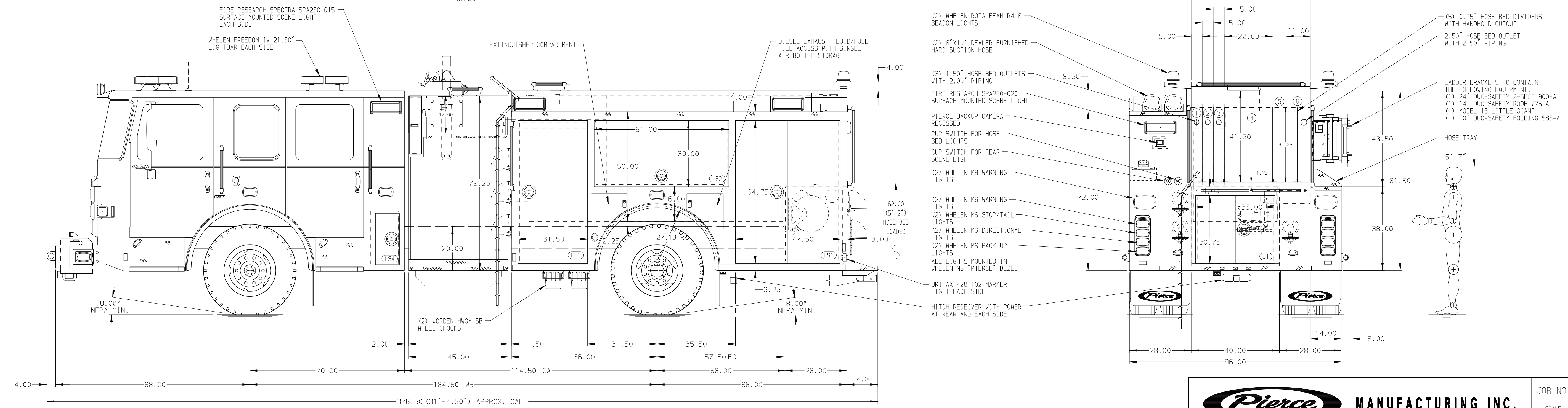
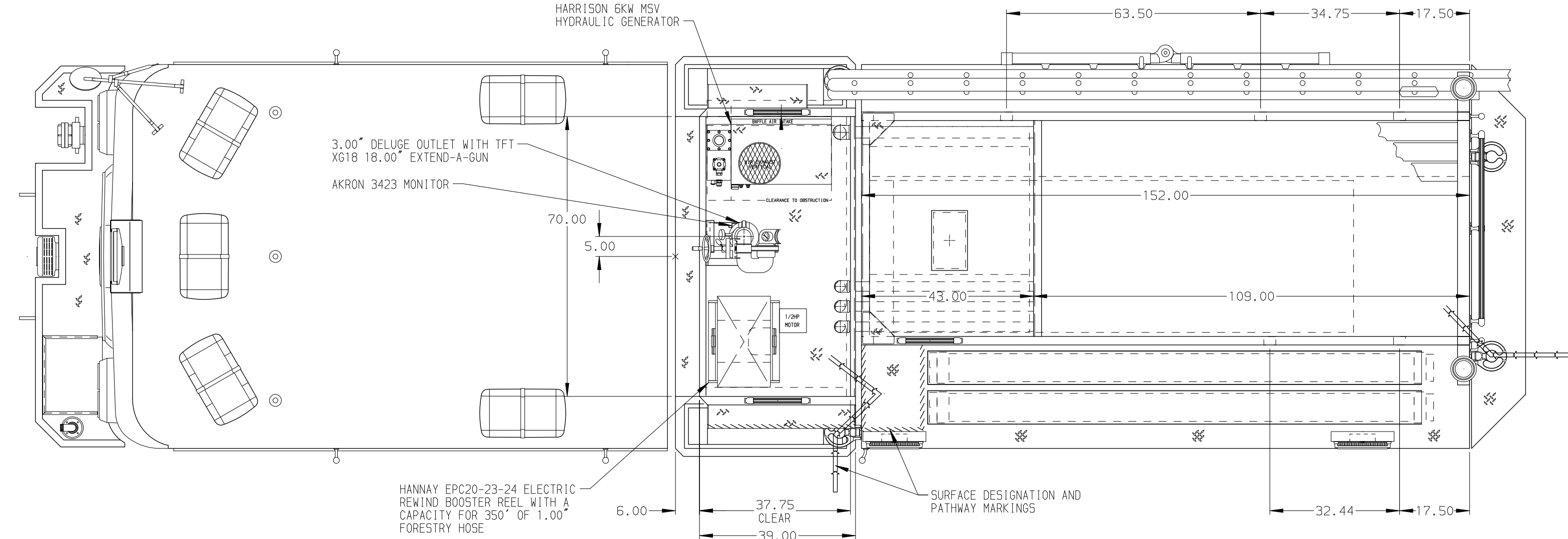


- HOSEBED CAPACITIES**
- ① 150' OF 1.75" D.J. POLY HOSE (PRECONNECTED)
 - ② 200' OF 1.75" D.J. POLY HOSE (PRECONNECTED)
 - ③ 250' OF 1.75" D.J. POLY HOSE (PRECONNECTED)
 - ④ 1000' OF 4.00" D.J. POLY HOSE
 - ⑤ 750' OF 2.50" D.J. POLY HOSE
 - ⑥ 250' OF 2.50" D.J. POLY HOSE (PRECONNECTED)



(STAINLESS STEEL BODY) (MAXIMUM O.A.H. 118.00") (SIDE ROLL AND FRONTAL IMPACT PROTECTION)

NOTE
 DIMENSIONS SHOWN ARE APPROXIMATE AND ARE SUBJECT TO MINOR DEVIATIONS AS MAY OCCUR OR BE NECESSARY IN CONSTRUCTION. MINOR DETAILS NOT SHOWN.

- 1. TWO 6" FIRE HOOKS PIKE POLES SHIPPED LOOSE
- 2. MIC AND SPEAKER COMPARTMENT LOCATED ON LEFT SIDE PUMP PANEL PER ORDER
- 3. ONE HANNAY ECR1616-17-18 3-WIRE ELECTRIC REWIND CORD REEL WITH 100' OF 10/3 CABLE LOCATED IN COMPARTMENT B1
- 4. AIR INLET/OUTLET WITH DISCONNECT FITTING LOCATED PER ORDER
- 5. BATTERY CHARGER LOCATED PER ORDER
- 6. BATTERY CHARGER INDICATOR LOCATED PER ORDER
- 7. LIGHT STRIP WALKING SURFACE LIGHTING LOCATED PER ORDER
- 8. THREE FULL WIDTH/DEPTH ADJUSTABLE SHELVES WITH SIDES LOCATED PER ORDER
- 9. ONE ADJUSTABLE SLIDE-OUT TRAY WITH SIDES LOCATED PER ORDER
- 10. ONE ADJUSTABLE TILT/SLIDE-OUT TRAY LOCATED PER ORDER
- 11. TWO FLOOR MOUNTED SLIDE-OUT TRAYS WITH SIDES LOCATED PER ORDER
- 12. TWO PARTITIONS LOCATED PER ORDER
- 13. ONE VERTICAL PARTITION MOUNTED ON TRAYS LOCATED PER ORDER
- 14. TWO VERTICAL DIVIDERS LOCATED PER ORDER
- 15. CIRCUIT BREAKER PANEL LOCATED PER ORDER
- 16. SUB FEED BREAKER BOX LOCATED PER ORDER
- 17. ONE 120V DUPLEX RECEPTACLE LOCATED IN CAB PER ORDER
- 18. TWO 120V DUPLEX RECEPTACLES LOCATED IN REAR BODY PER ORDER

		JOB NO.	38420
		SCALE	DATE
Pierce MANUFACTURING INC.		TITLE	2000-D-500P, 152" PUMPER BODY, DELUGE, GENERATOR
		FOR	RIGHT SIDE LADDER BRACKETS, 45" SIDE CONTROL
		DWG NO.	TOWNSHIP OF PENNSAUKEN PENNSAUKEN, NEW JERSEY
		CHECKED BY	38420AD
		SHEET NO.	D
		1 OF 1	

REV	DATE	BY	CH	ENFORCER
01AUG23	KWH	CLM	MAKE	
27JUN23	BST	CLM	PIERCE	
05MAY23	BST	PHA	MODEL	